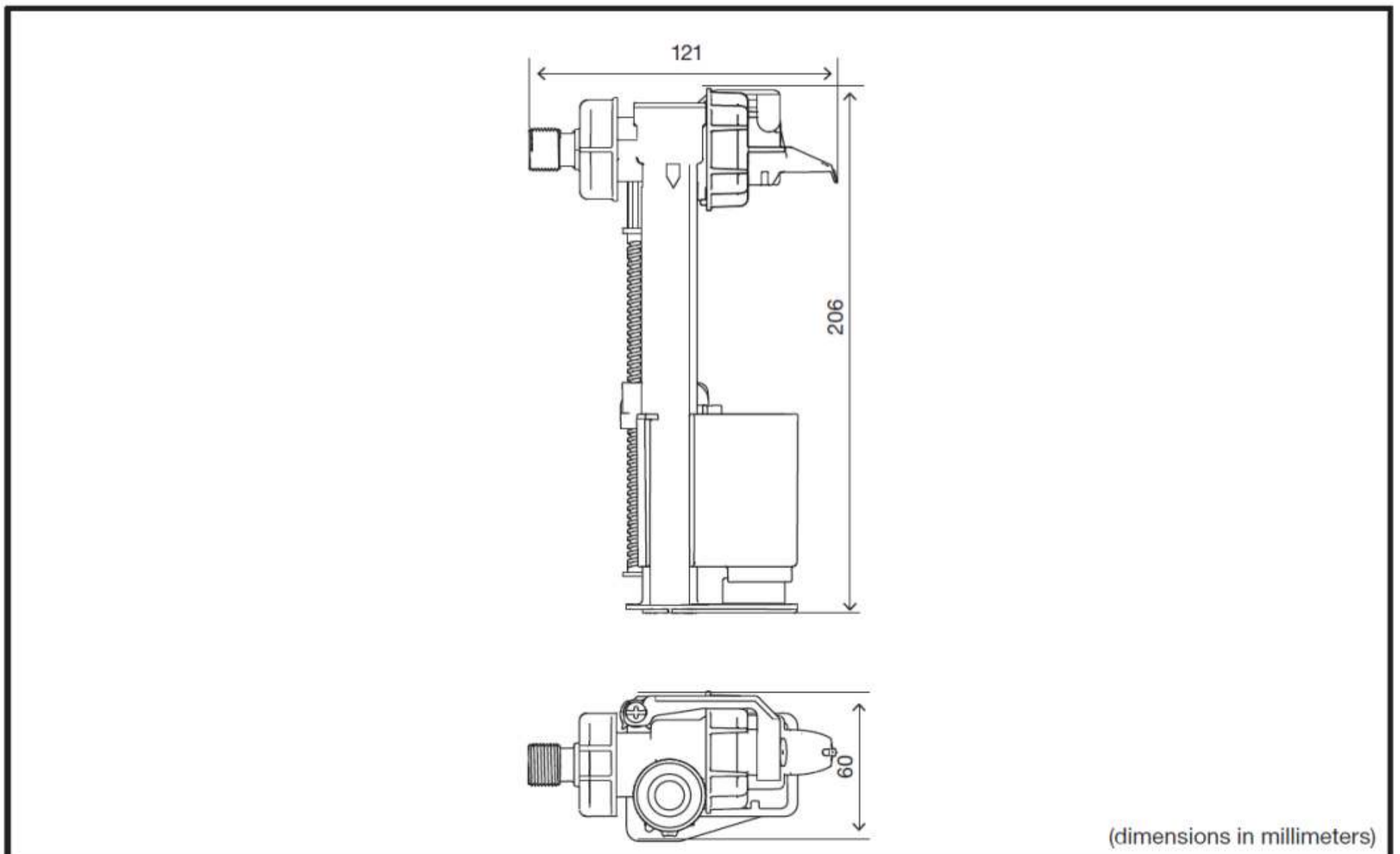
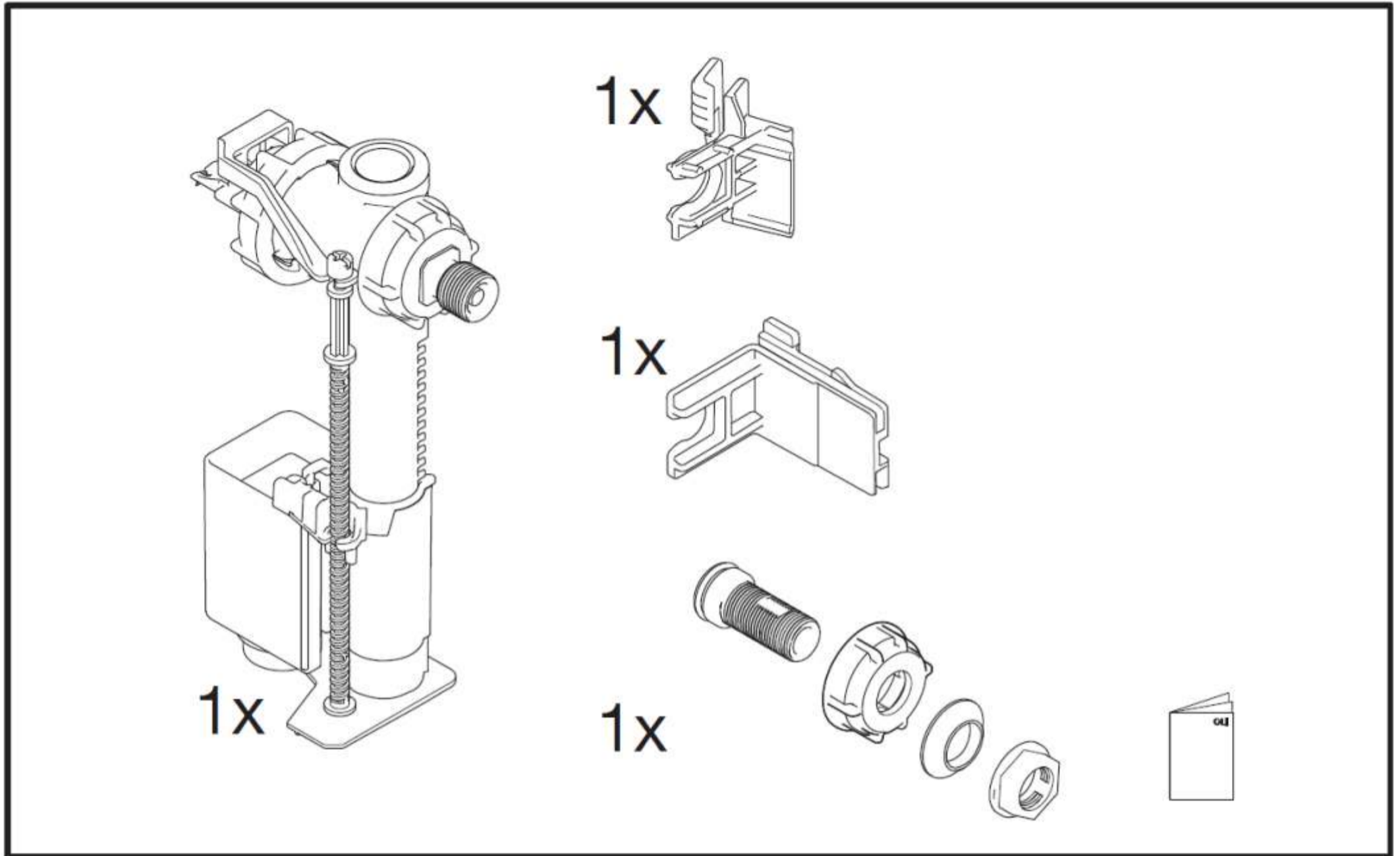
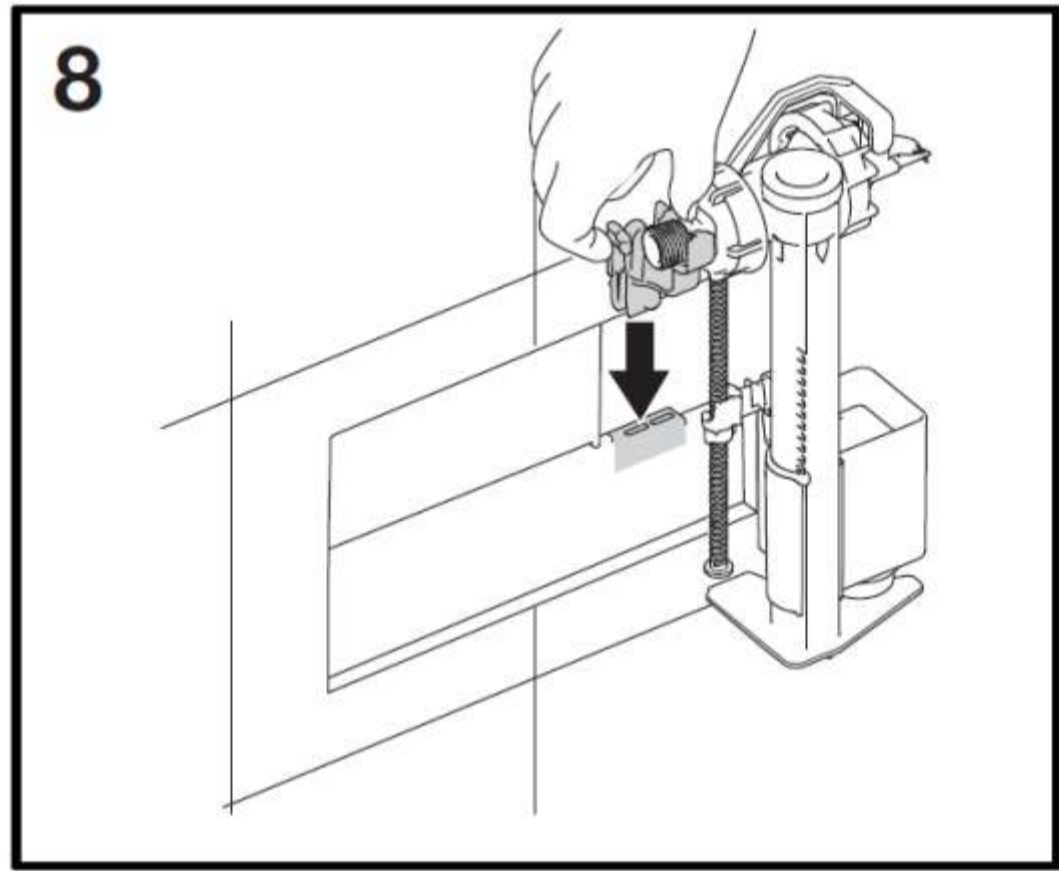
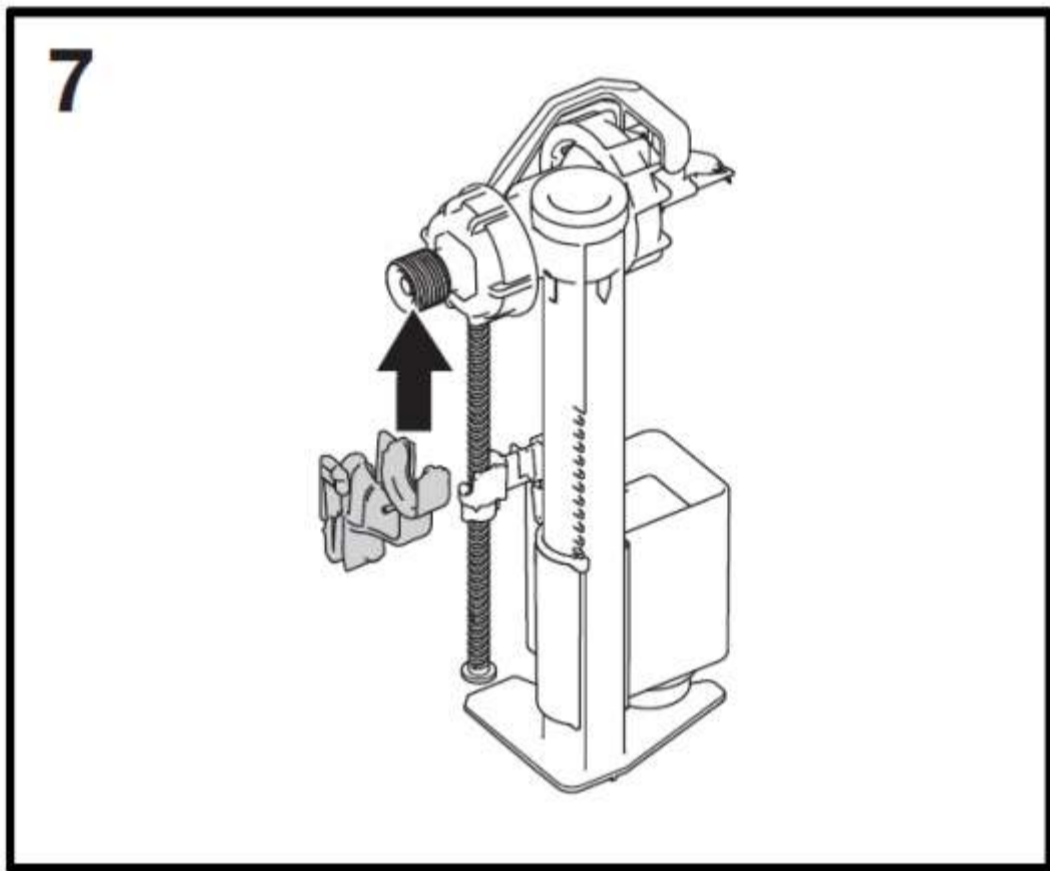
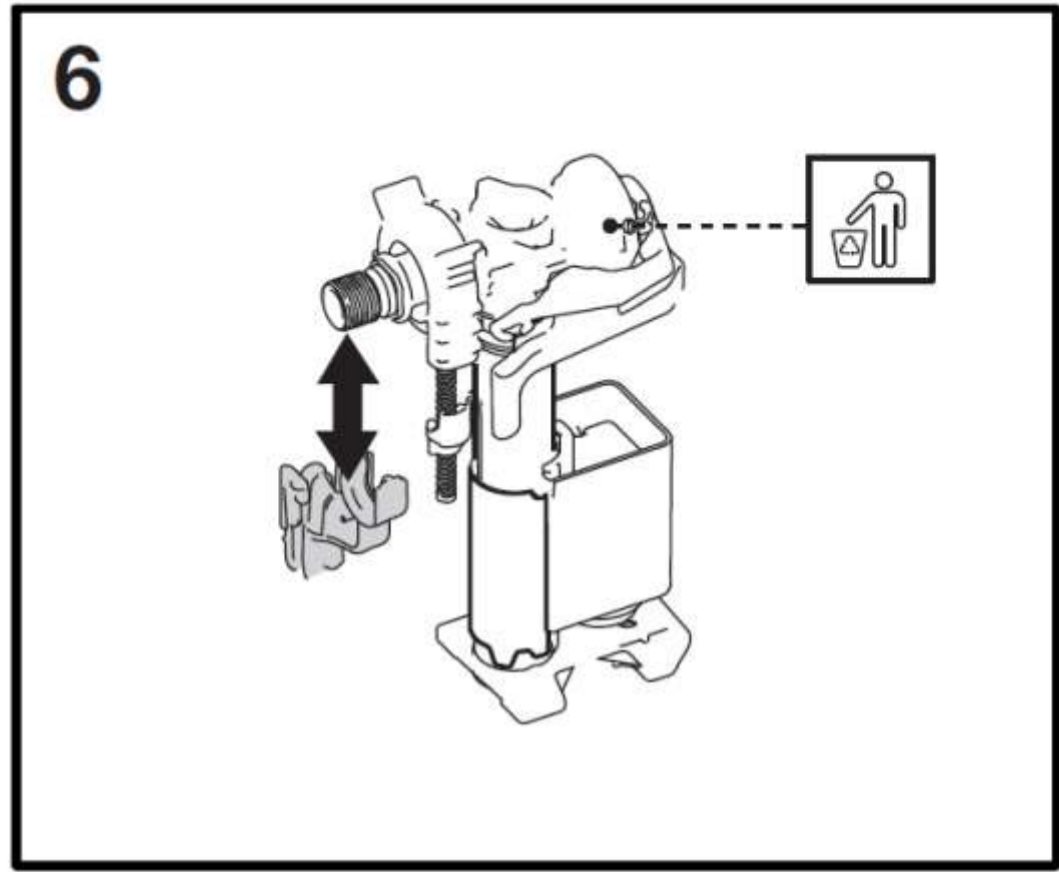
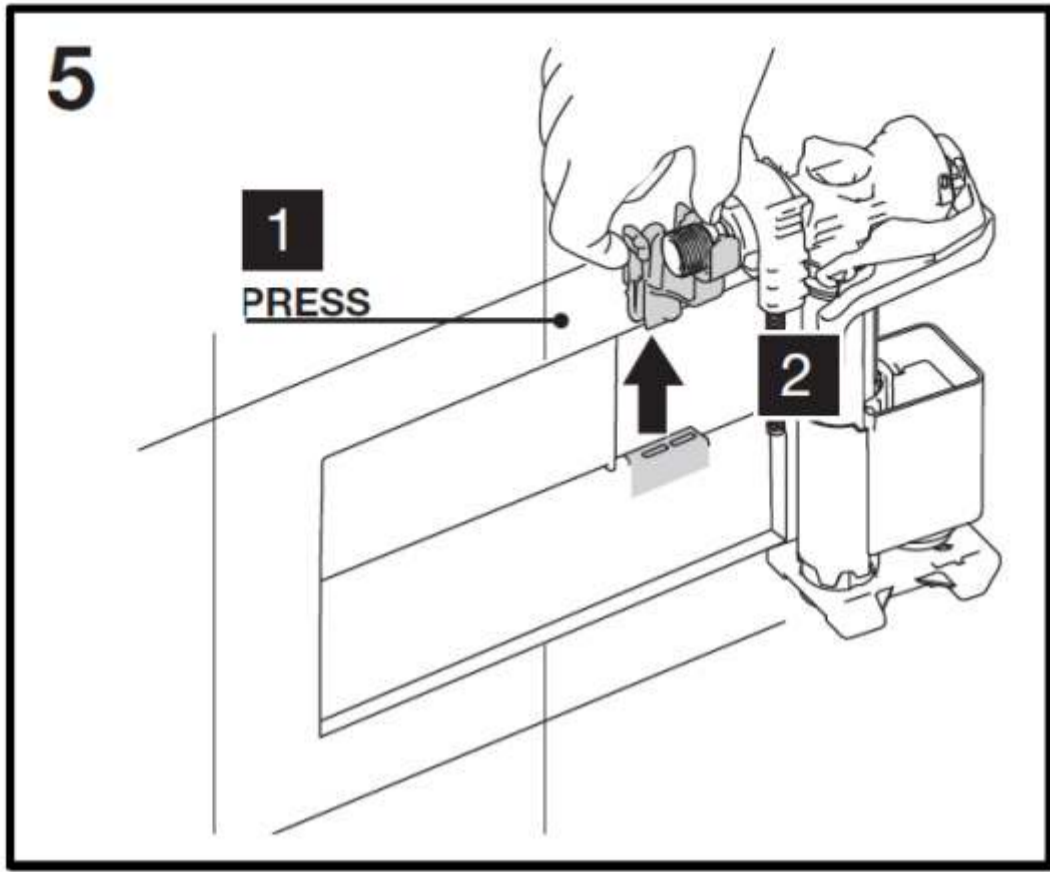


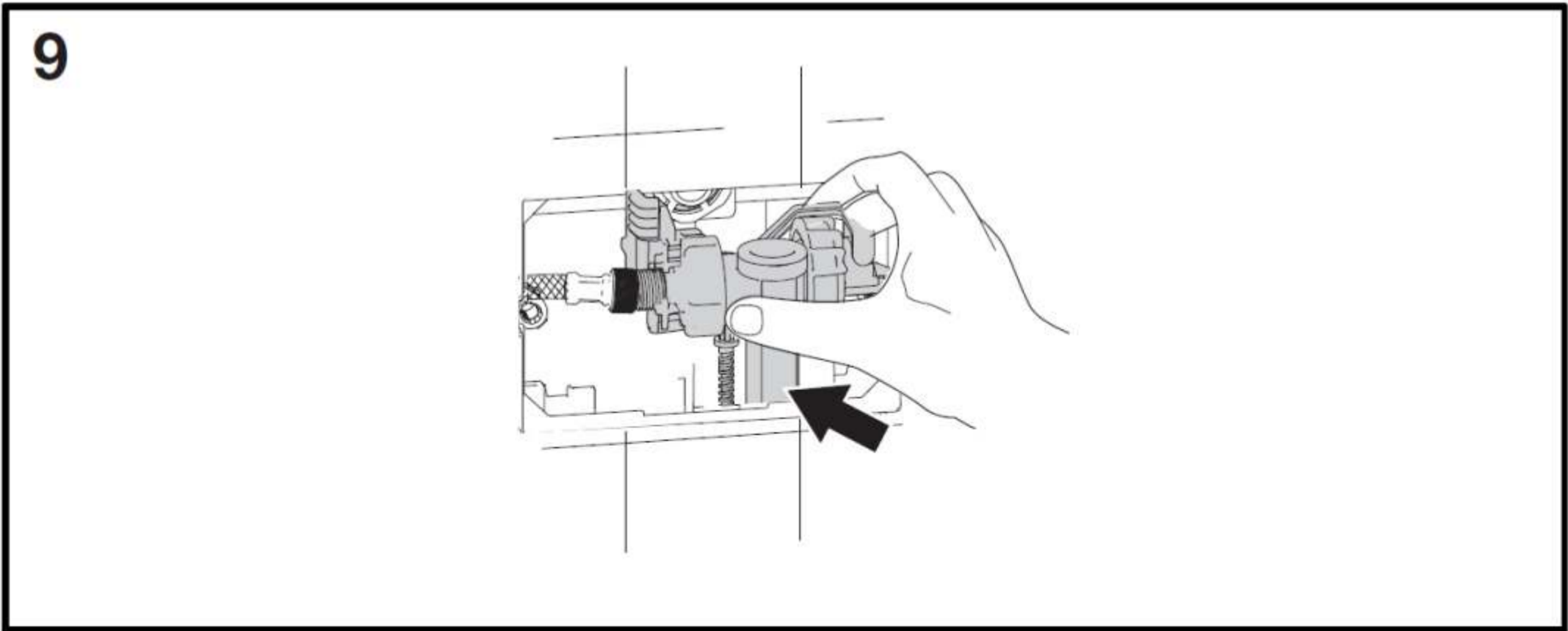
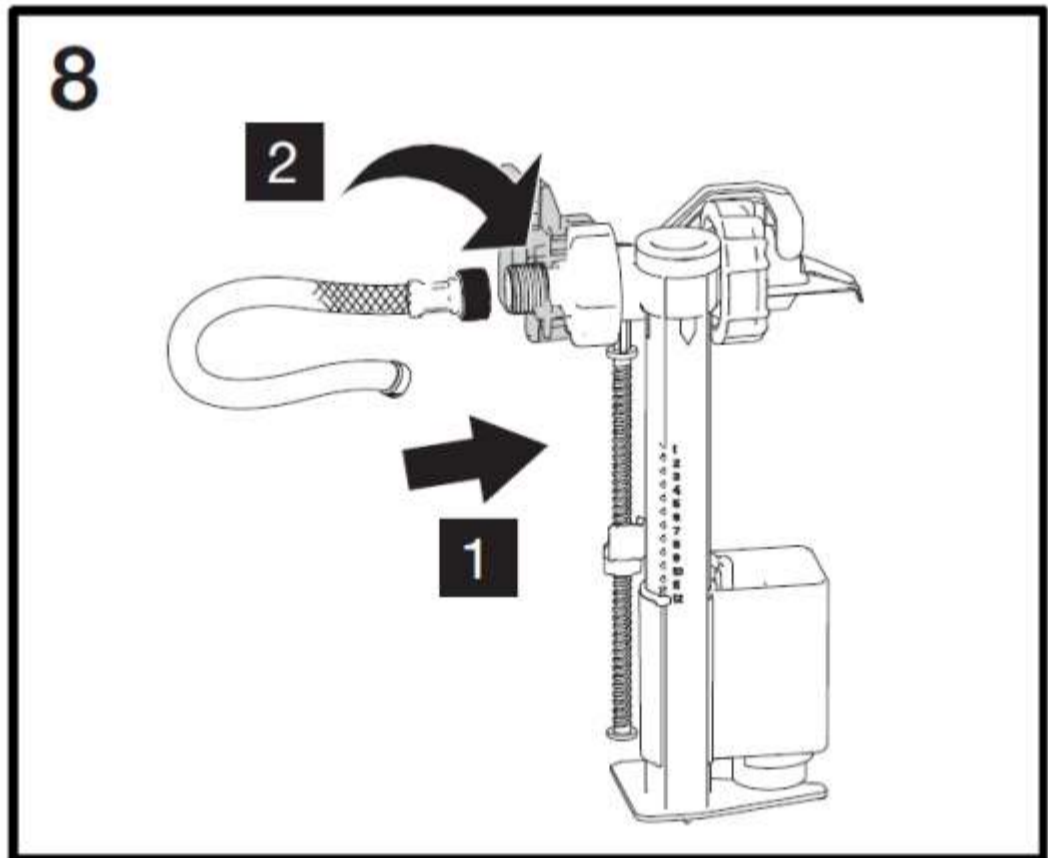
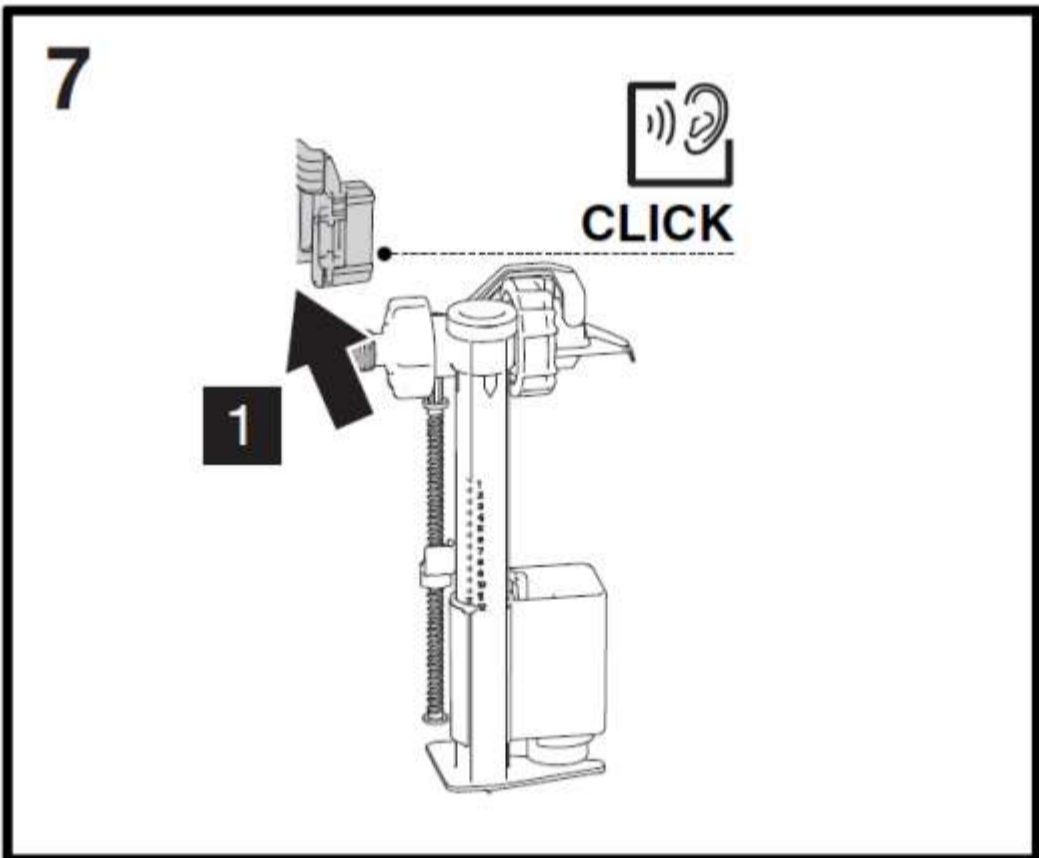
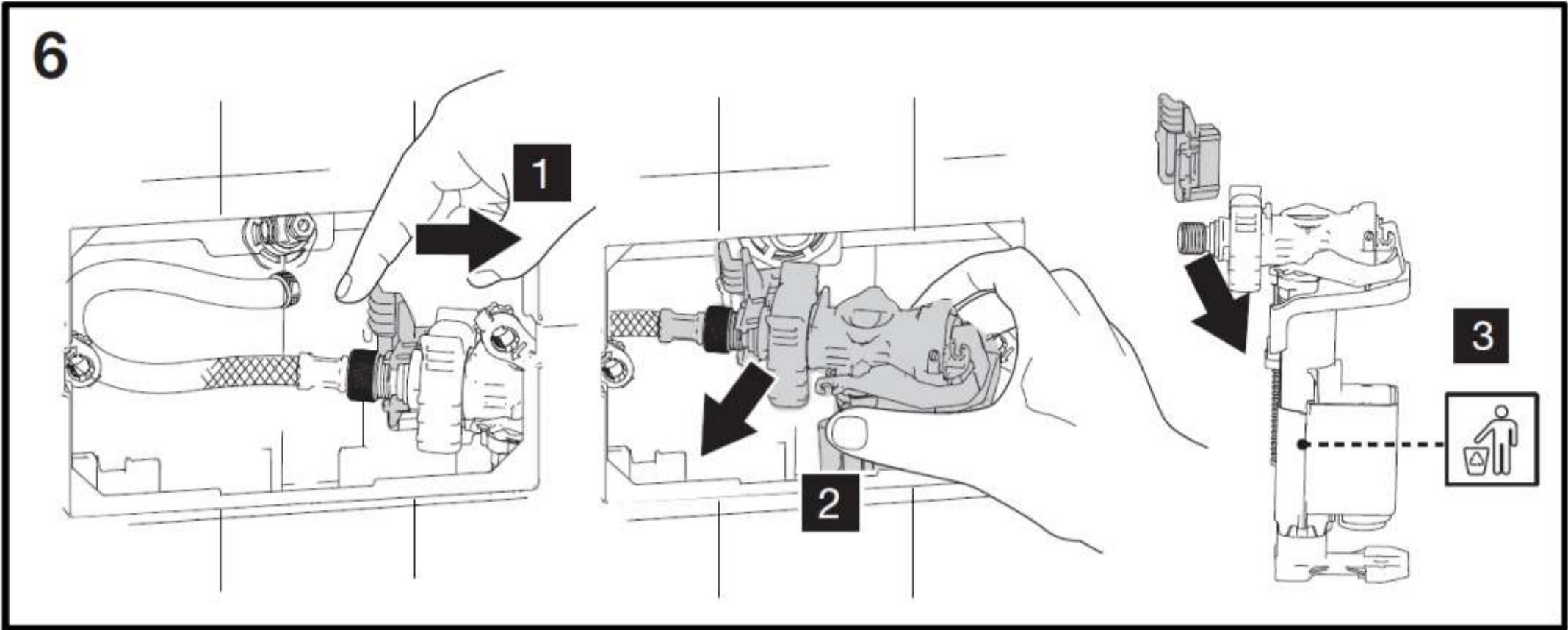
OLI ONE

UNIVERSAL INLET VALVE



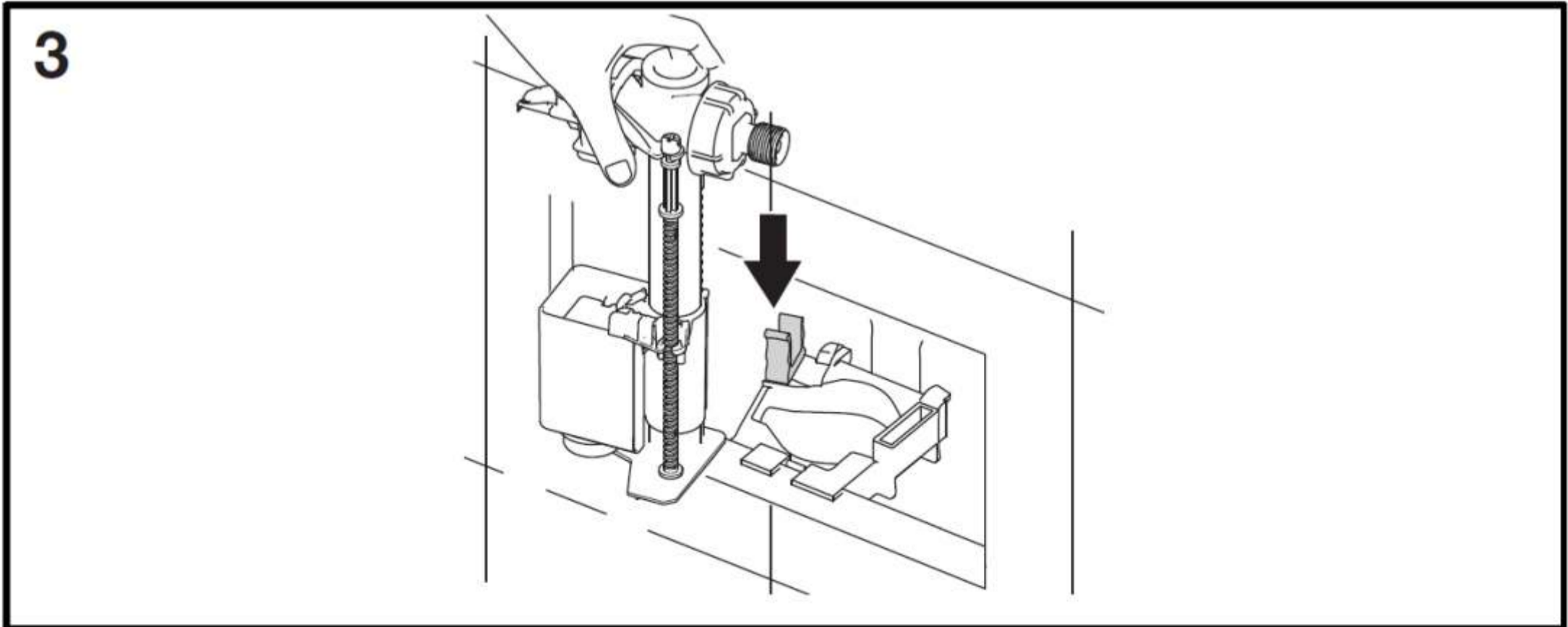
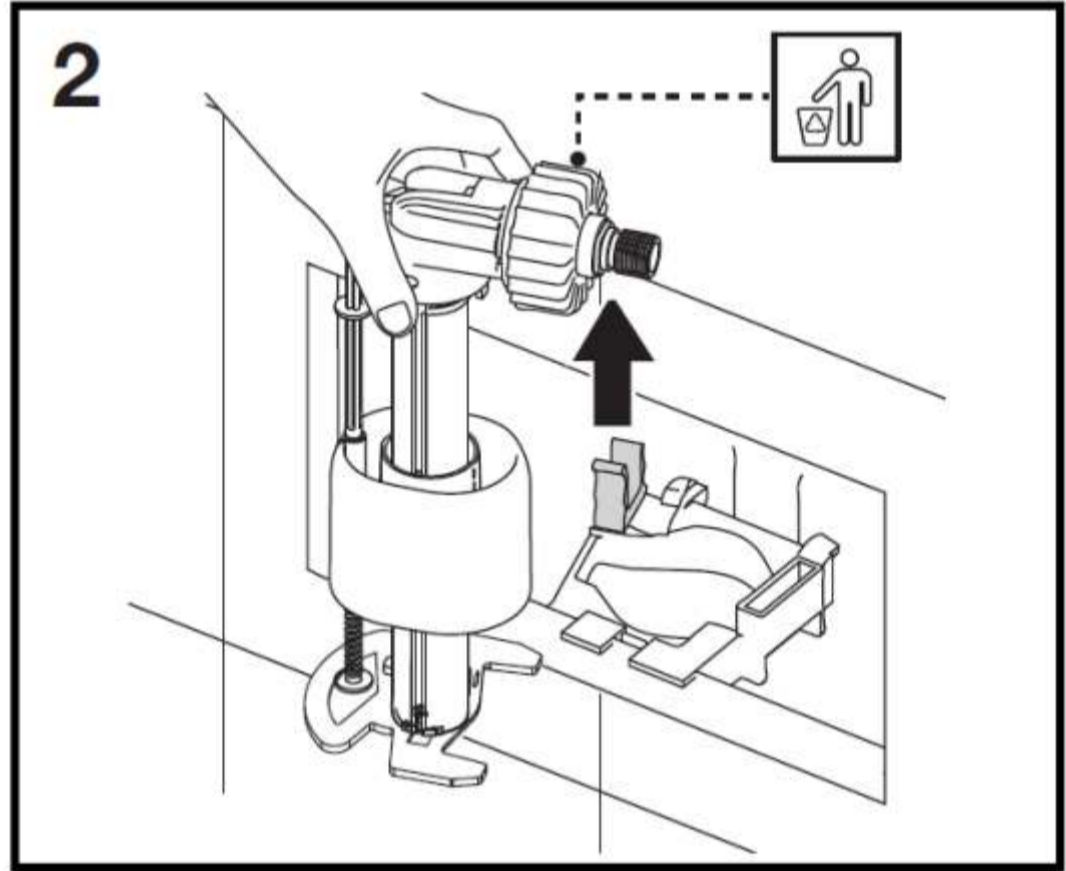
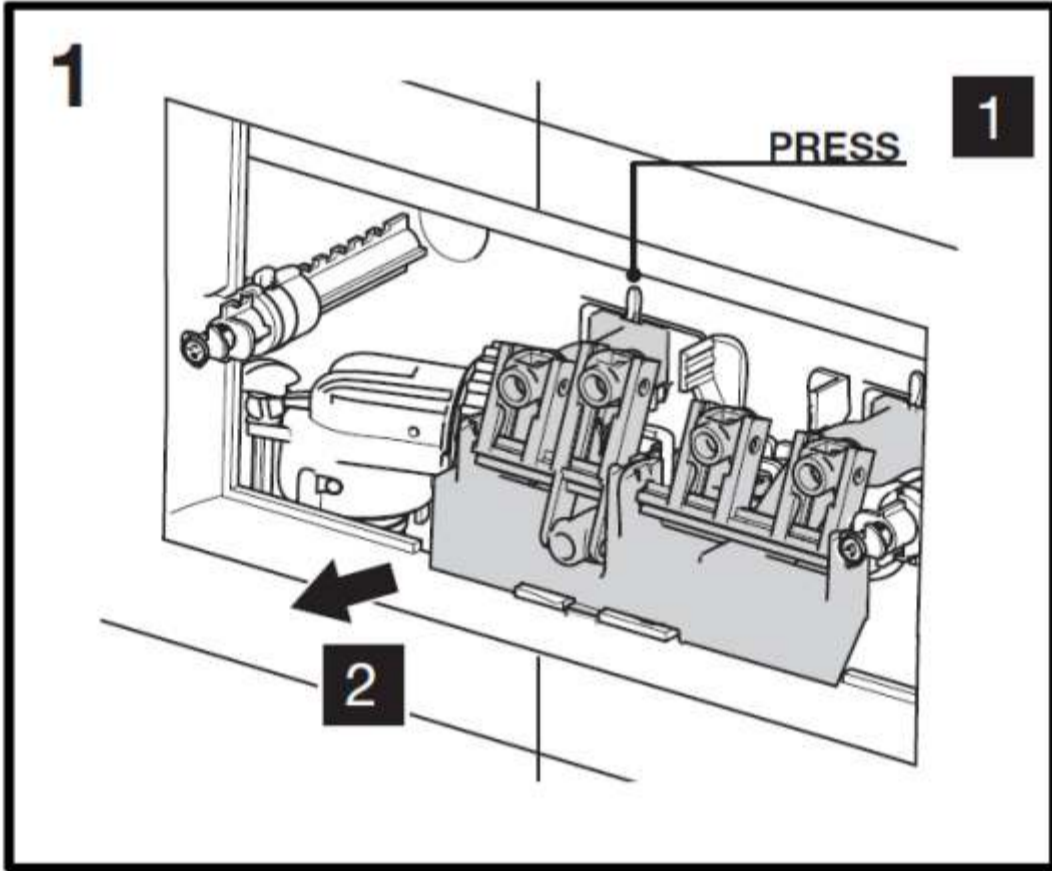
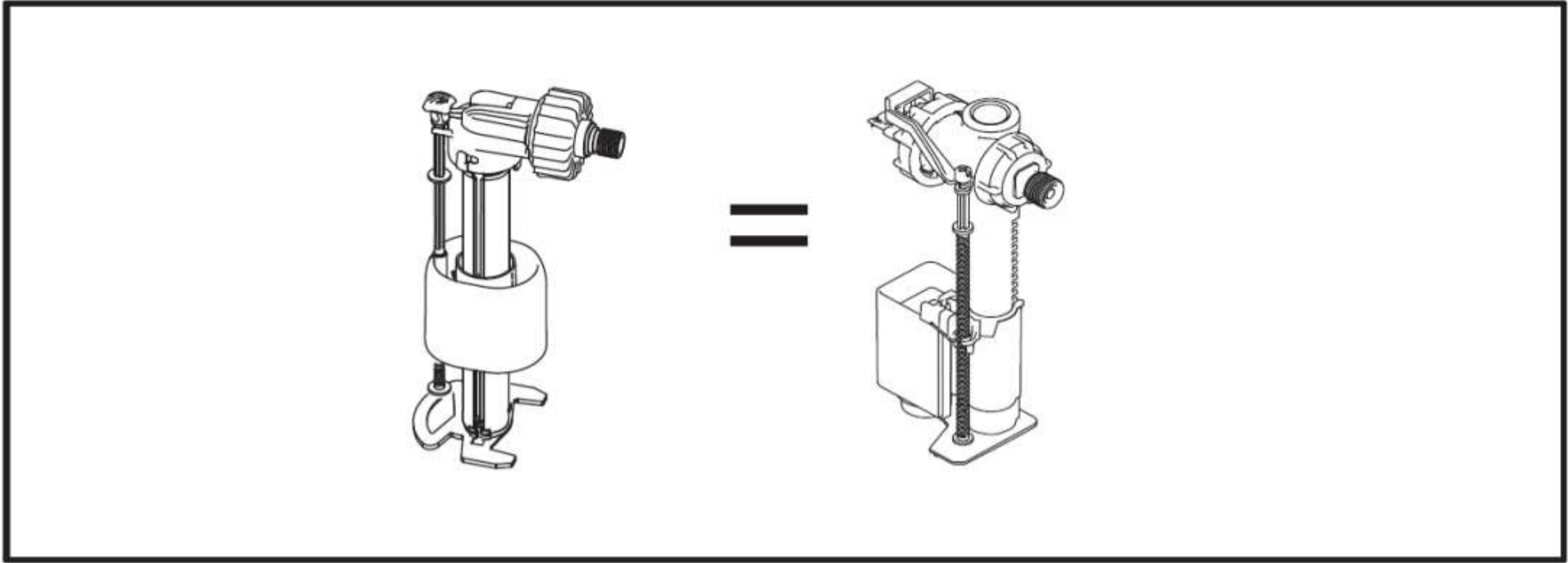
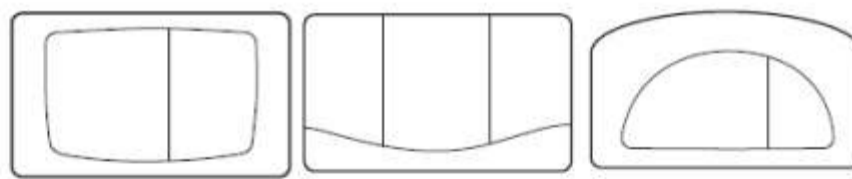
AC10000884337.2

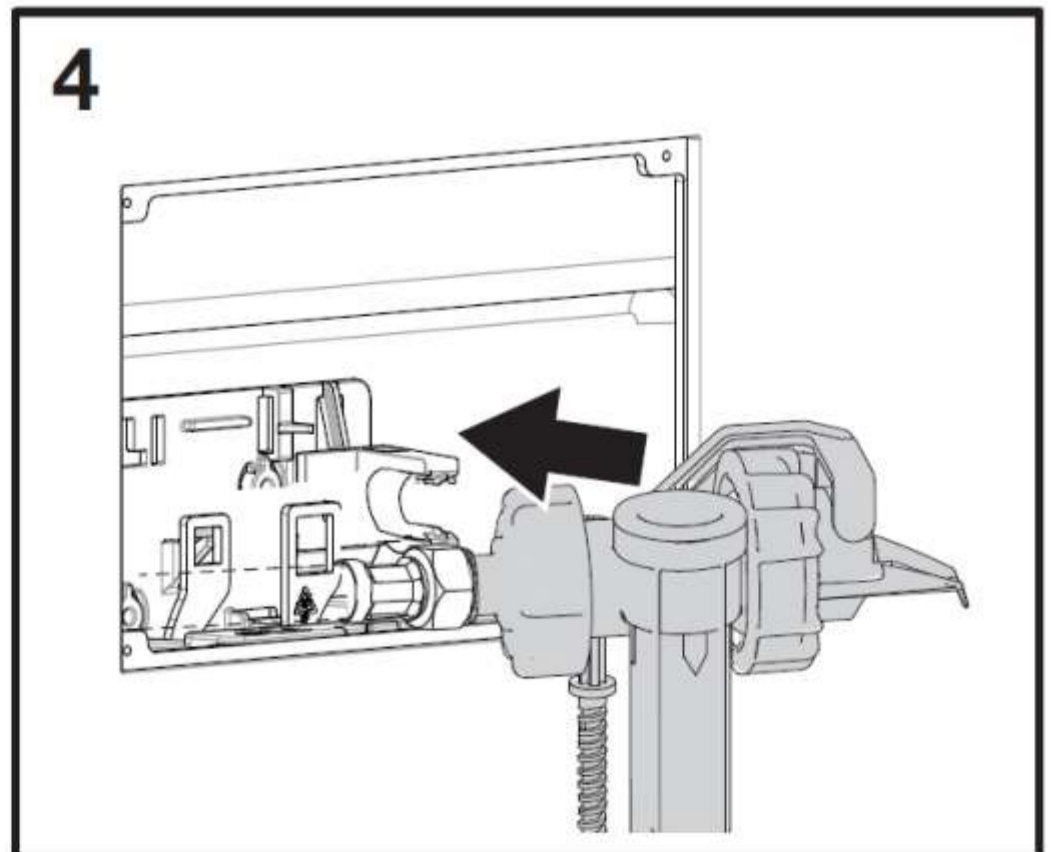
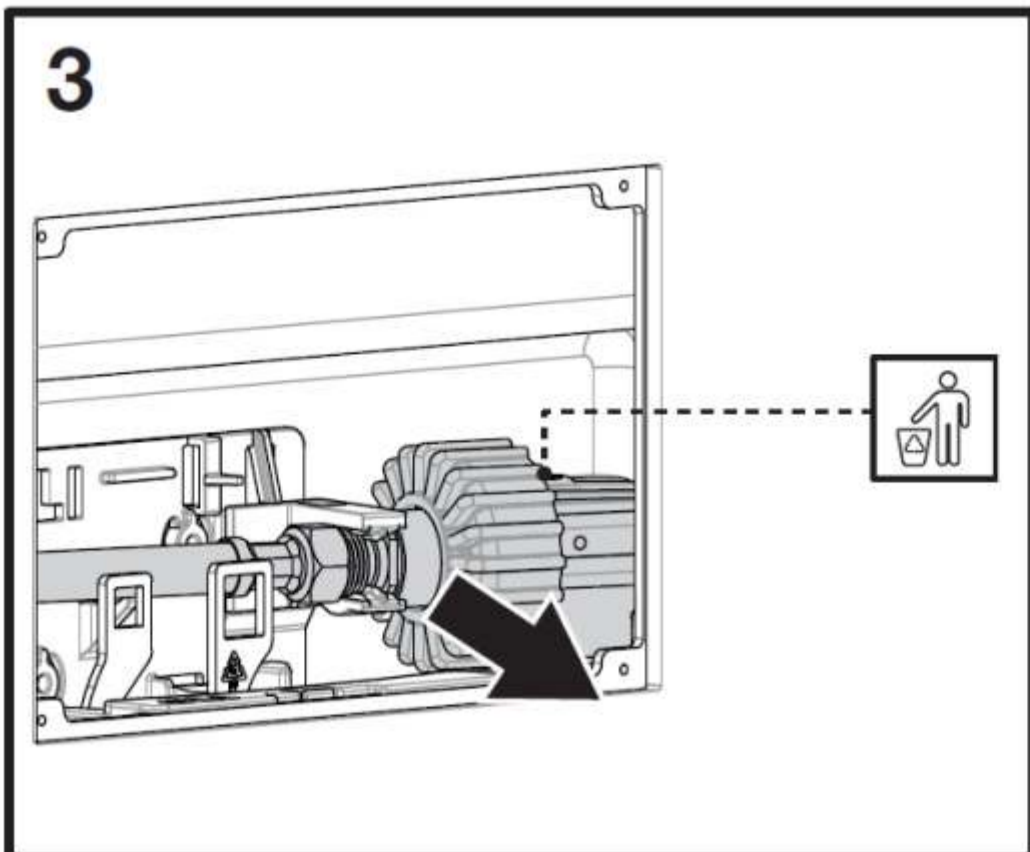
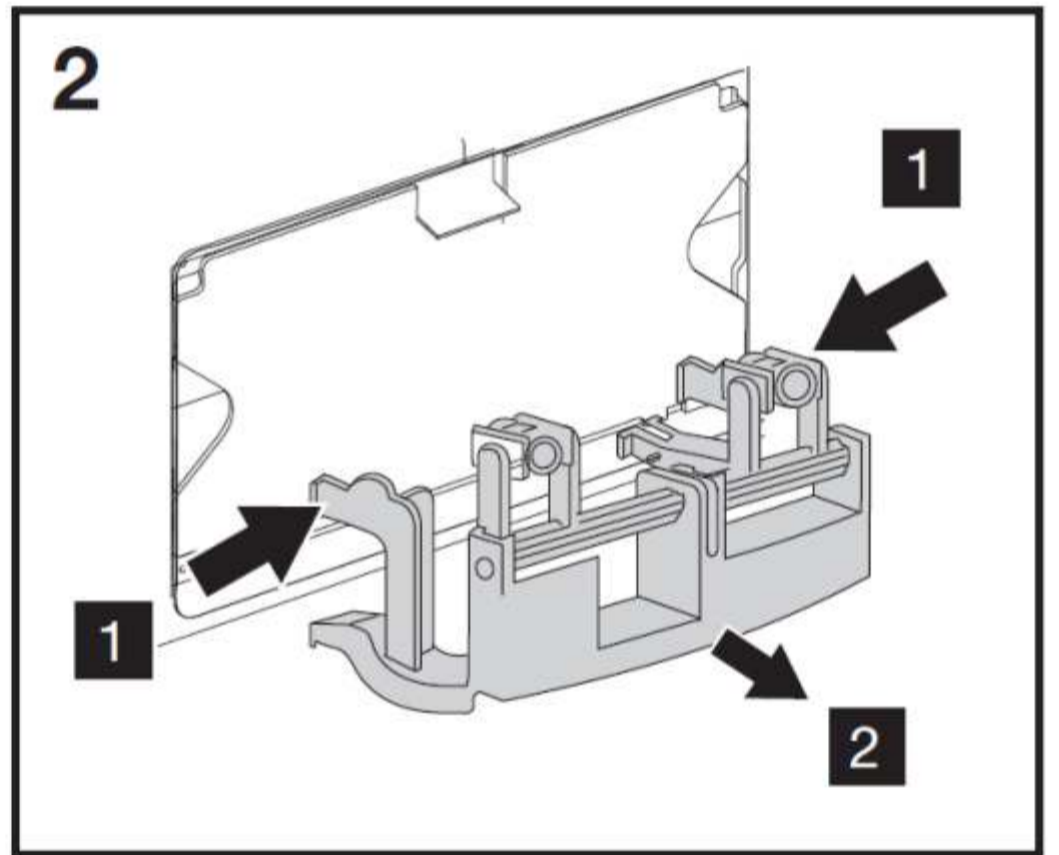
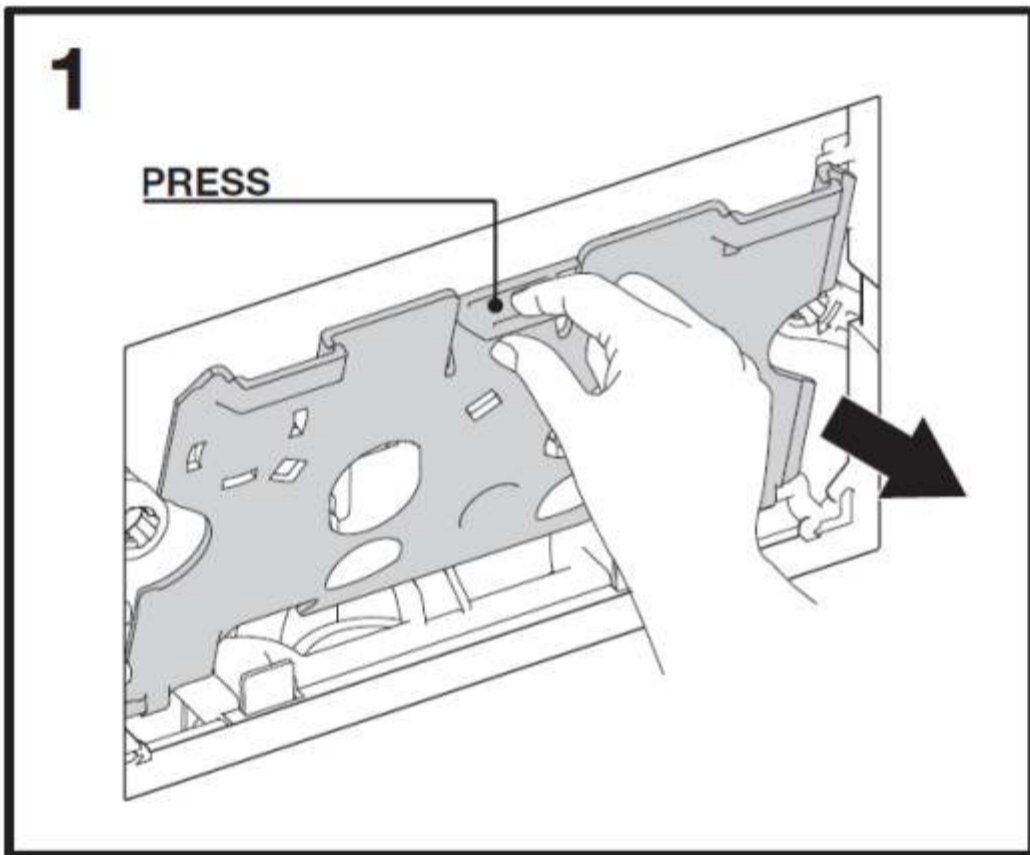
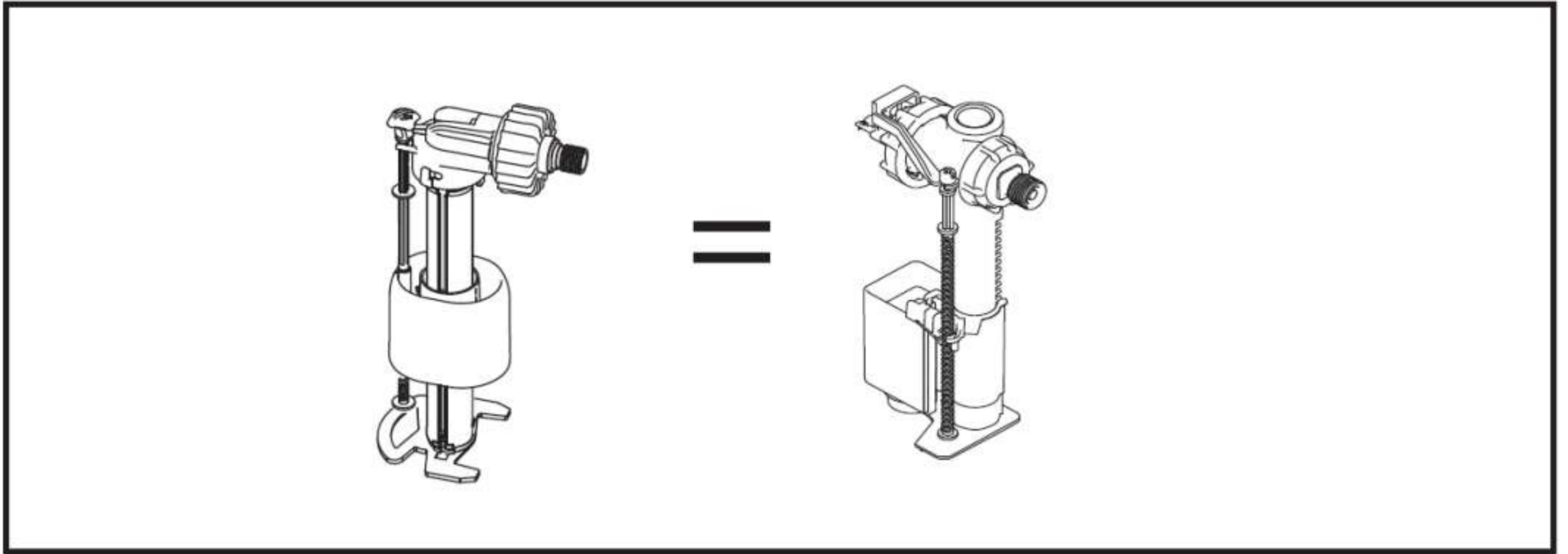
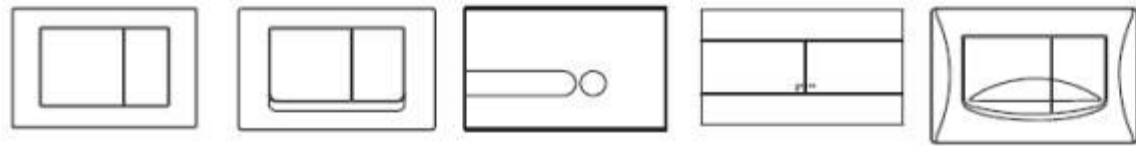




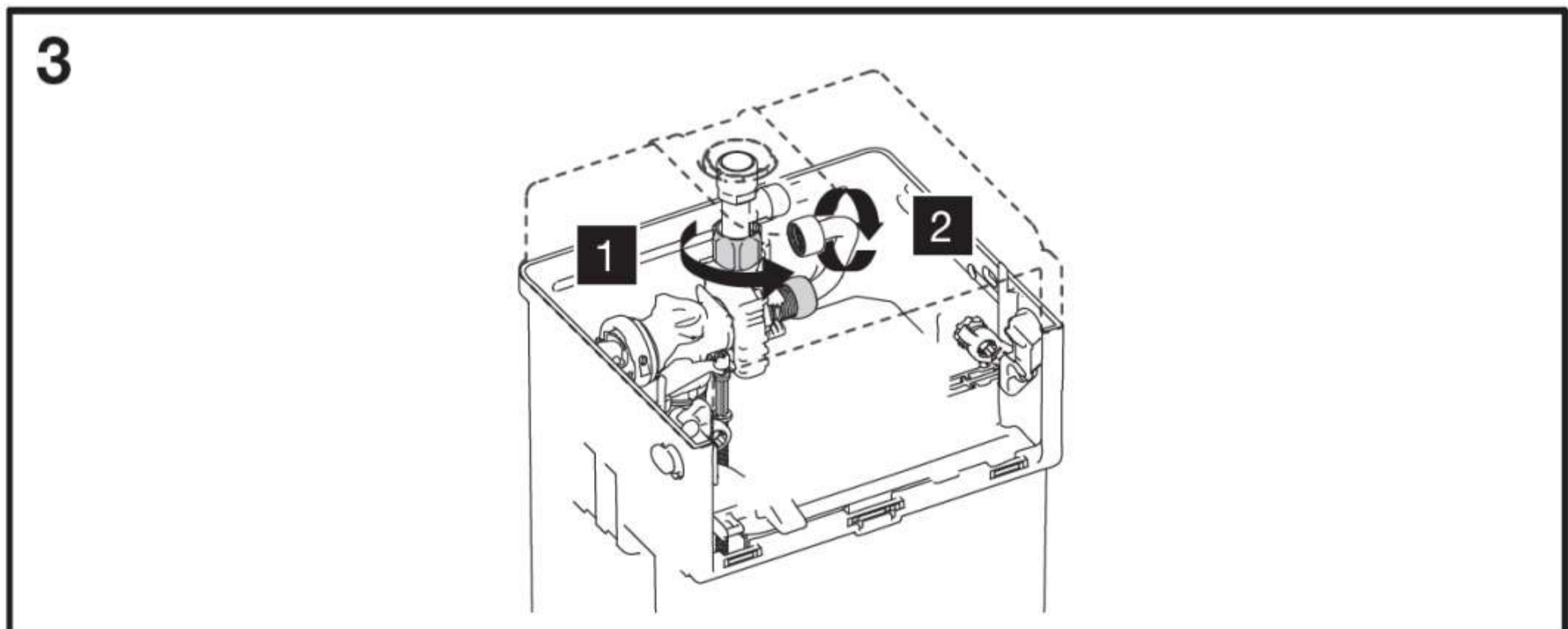
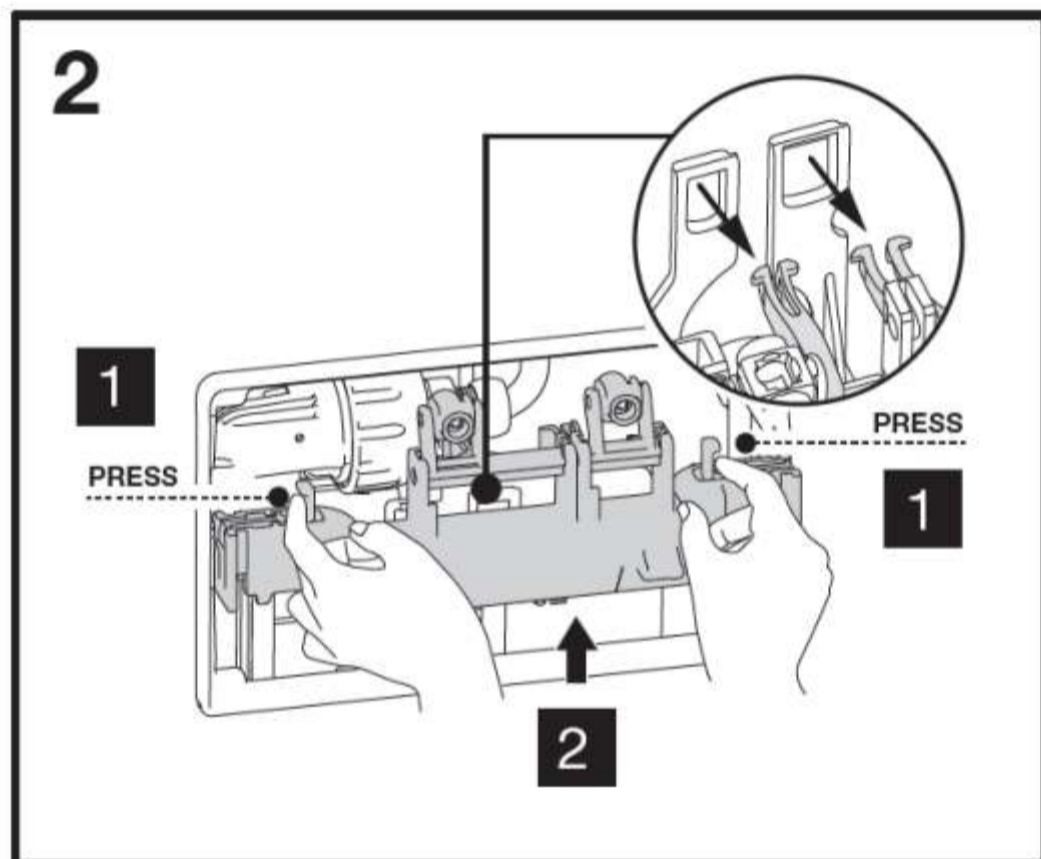
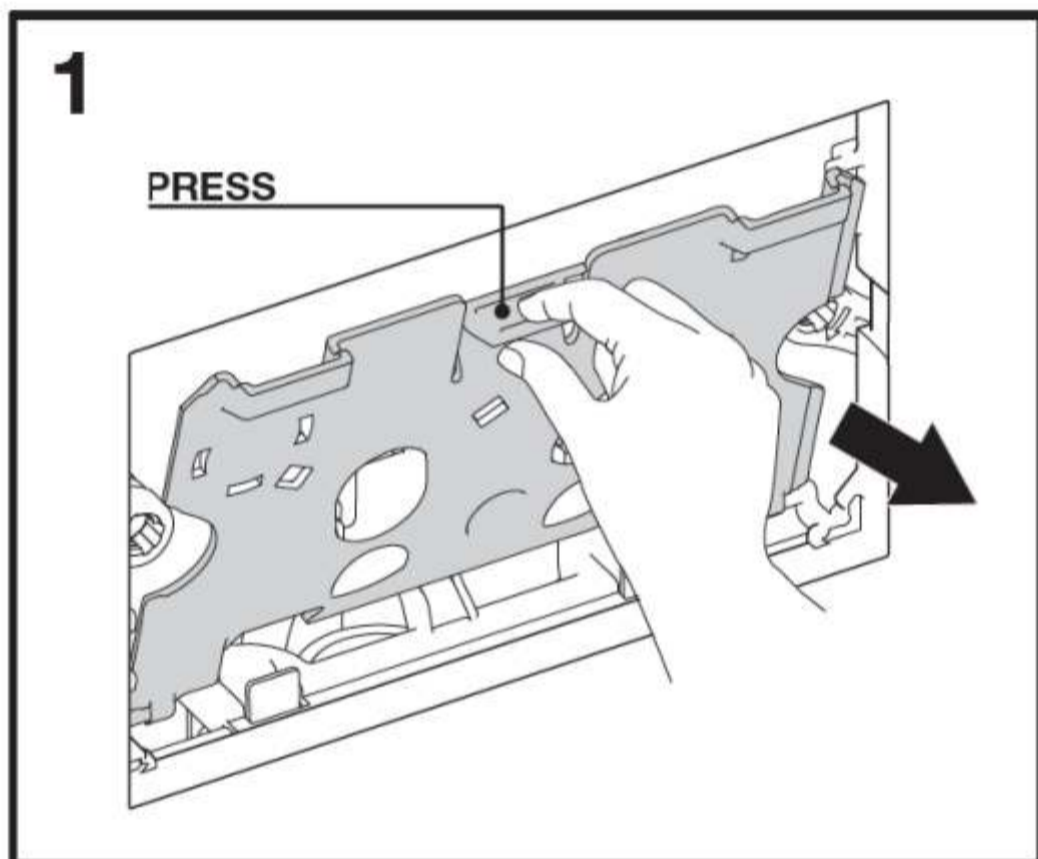
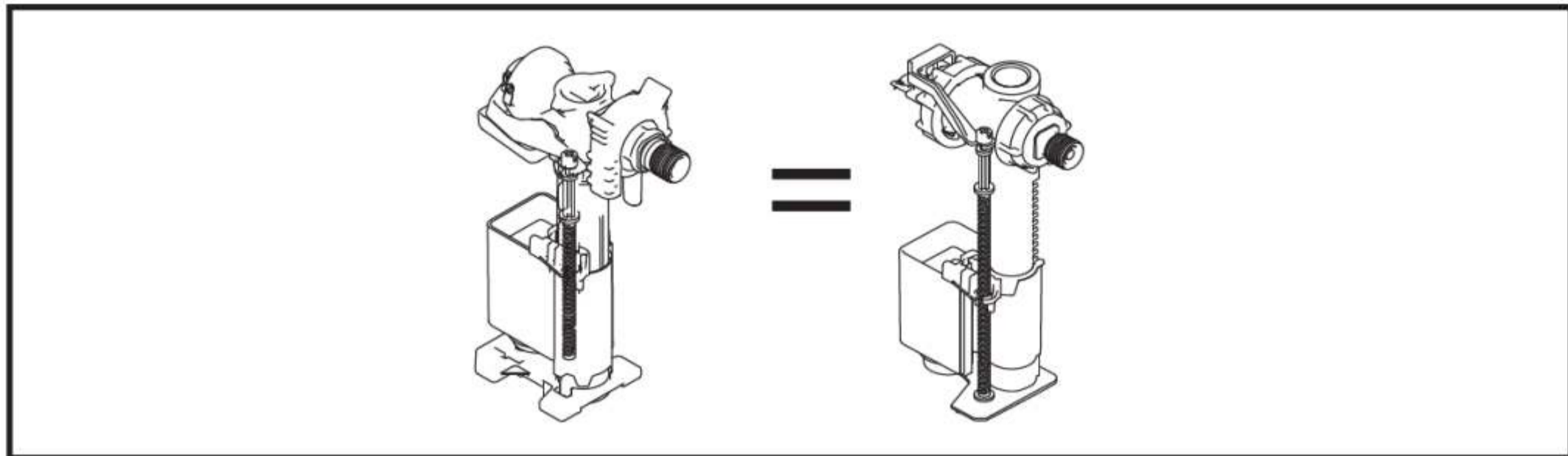
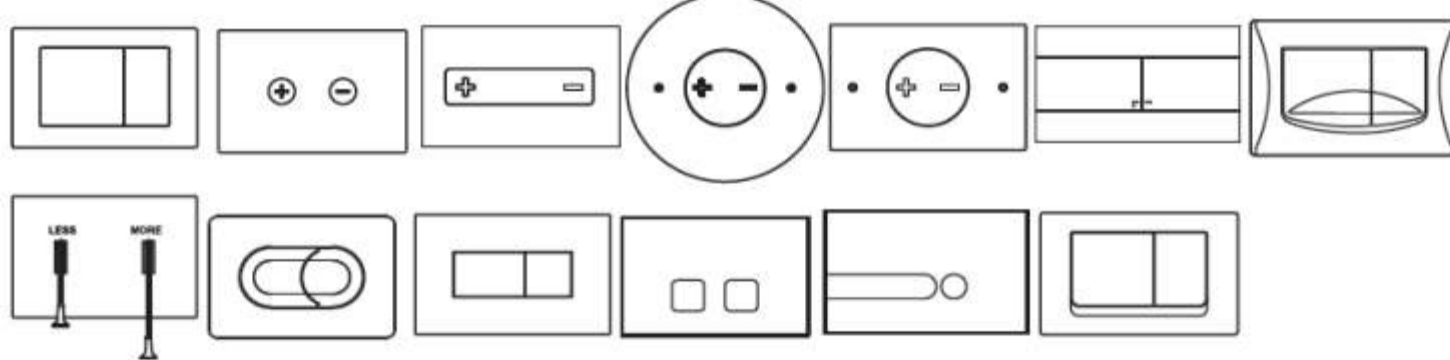


OLI: GIADA (1998-2010)

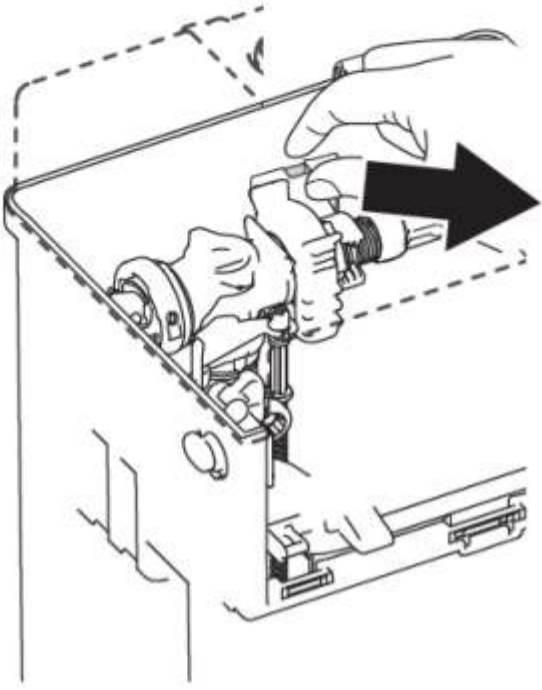




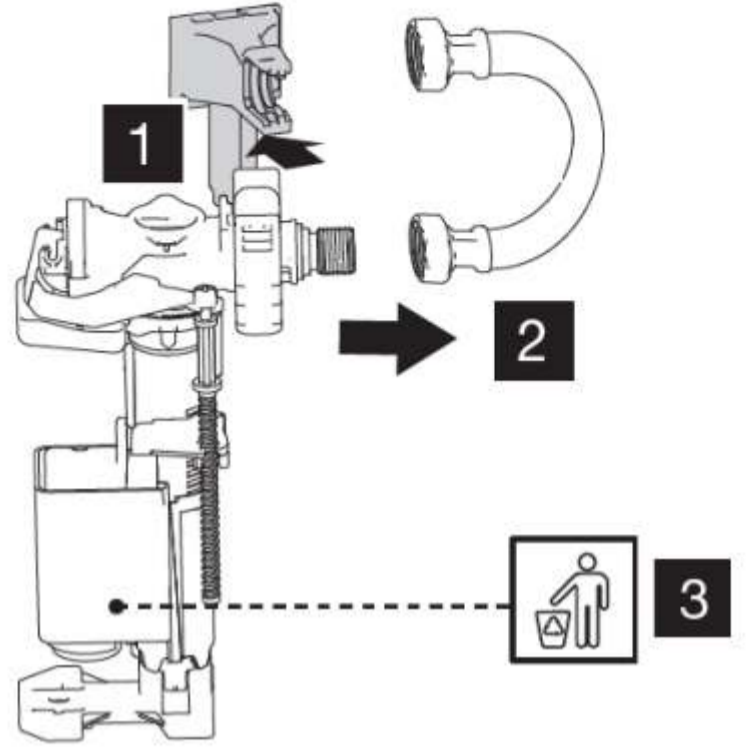
i OLI: QUADRA



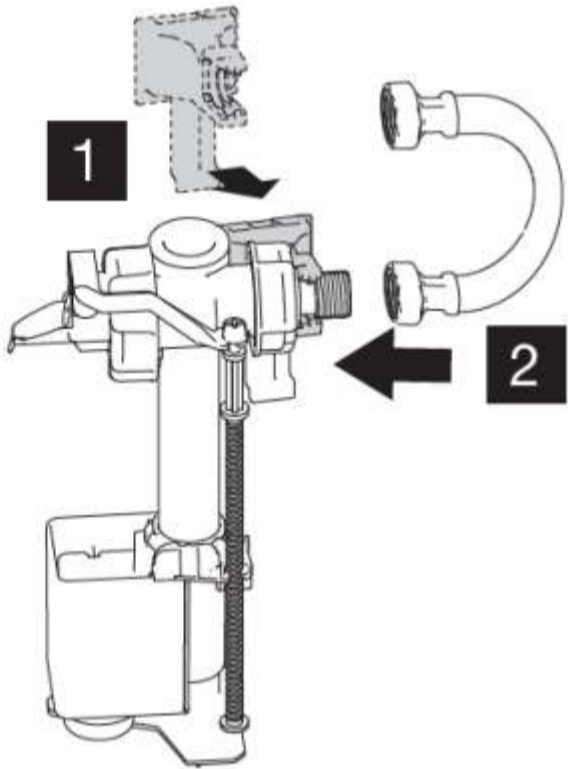
4



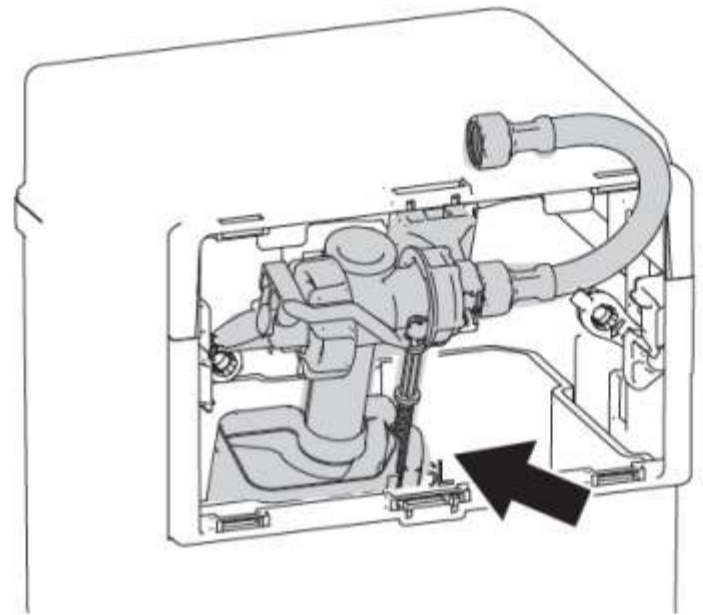
5

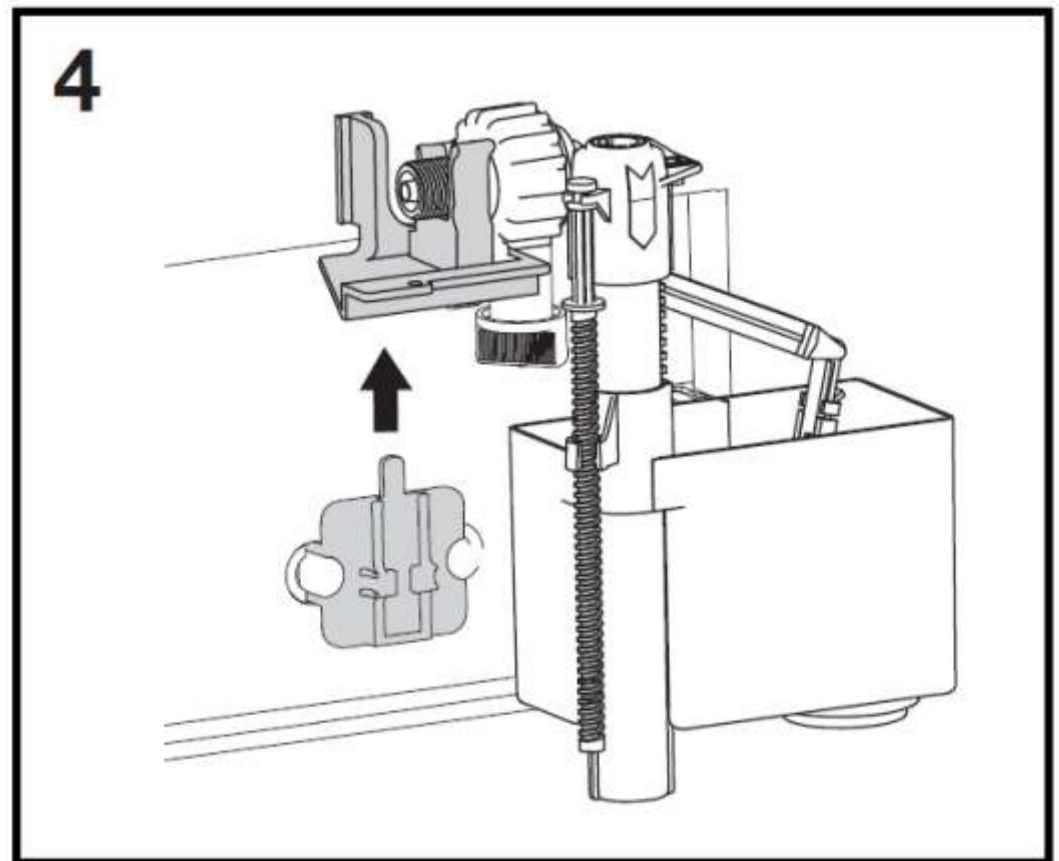
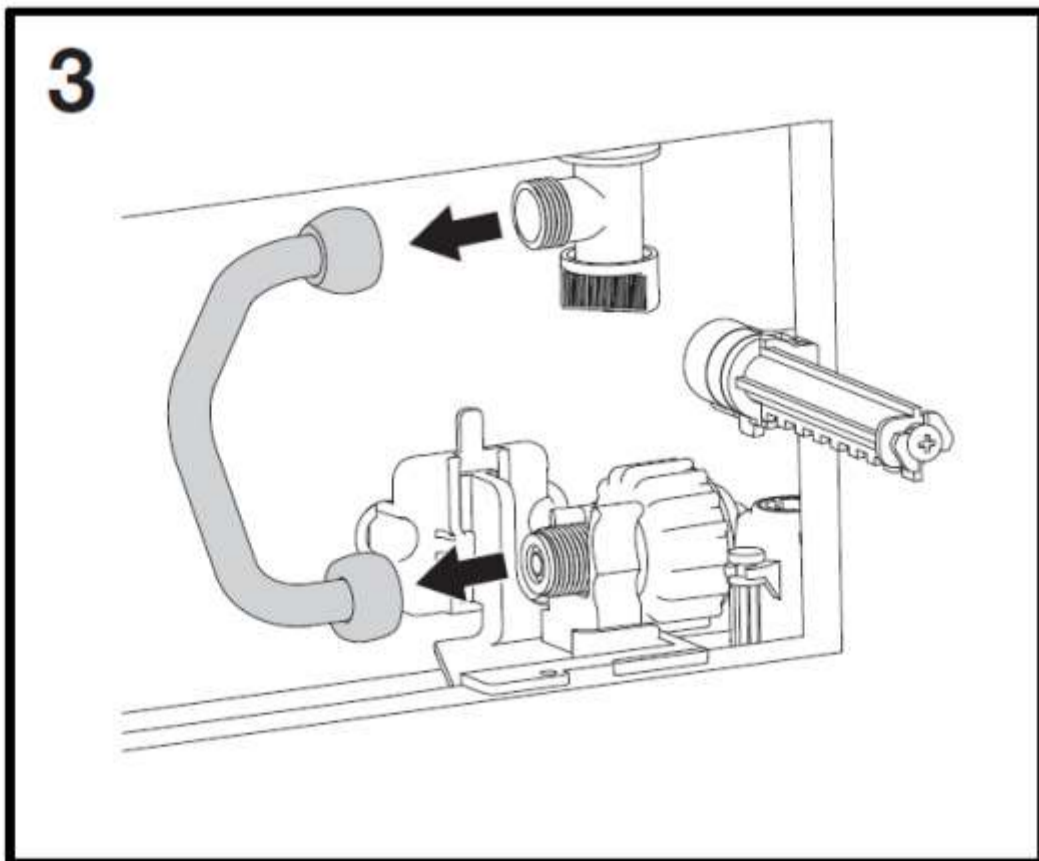
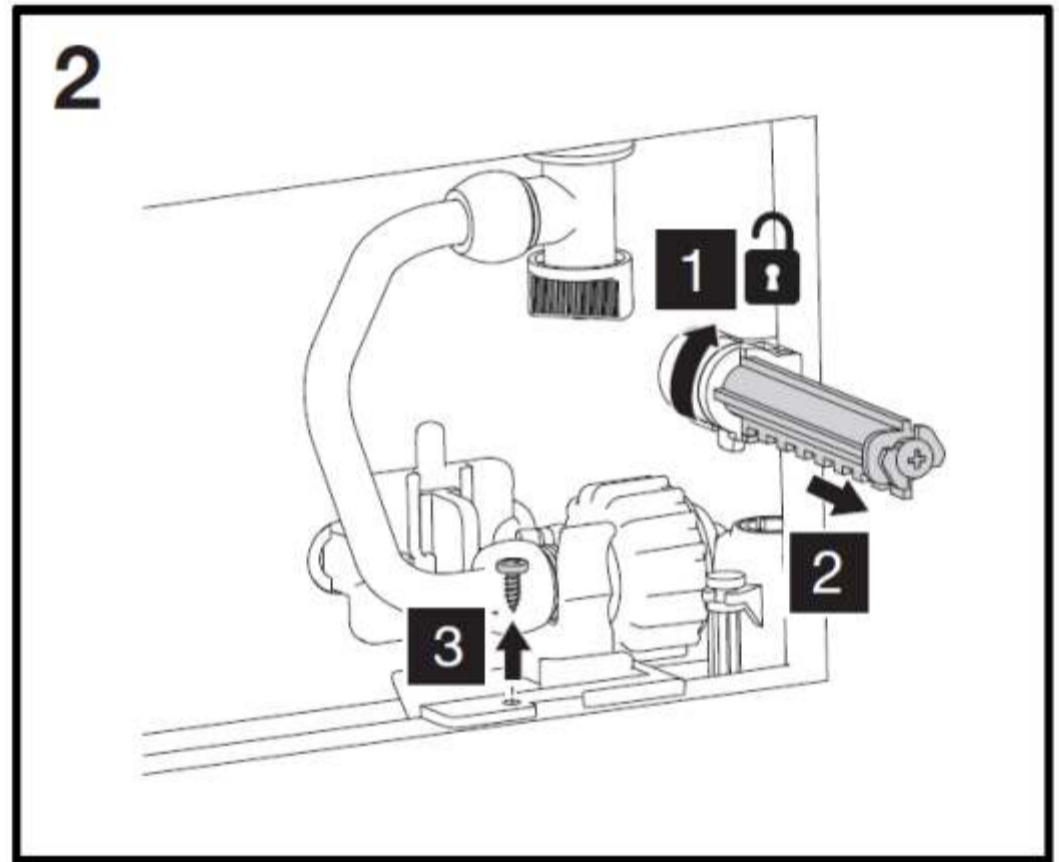
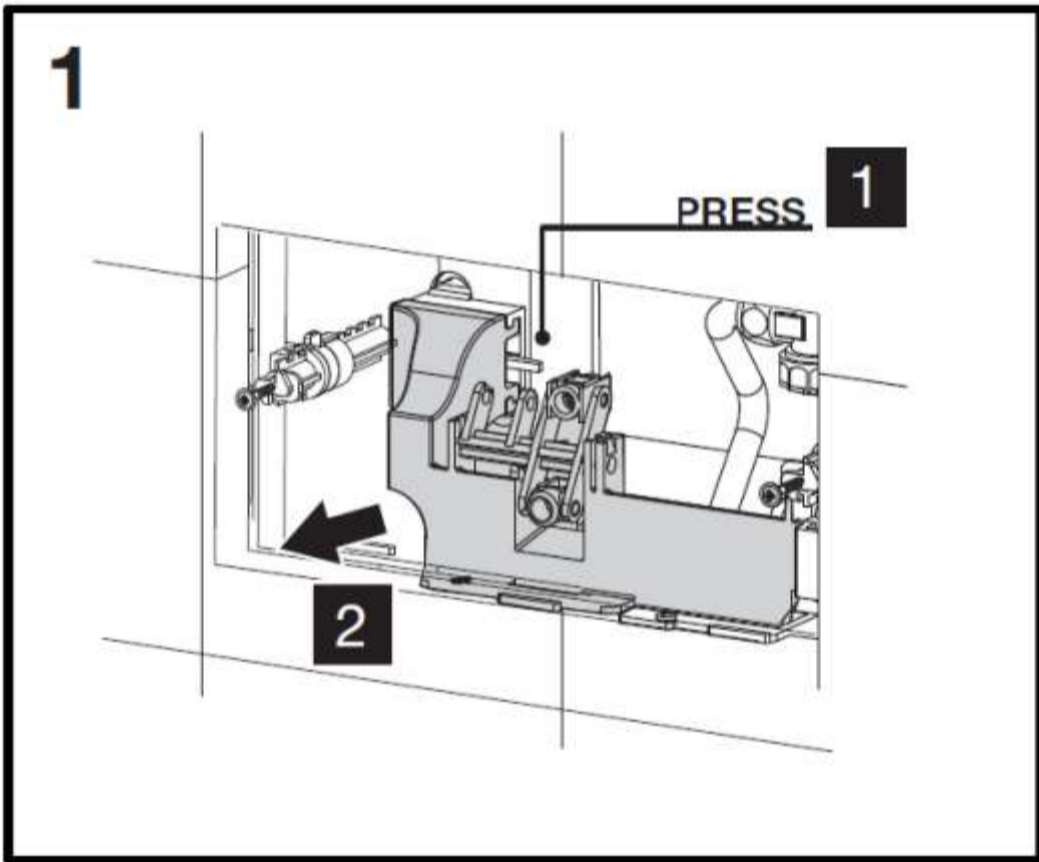
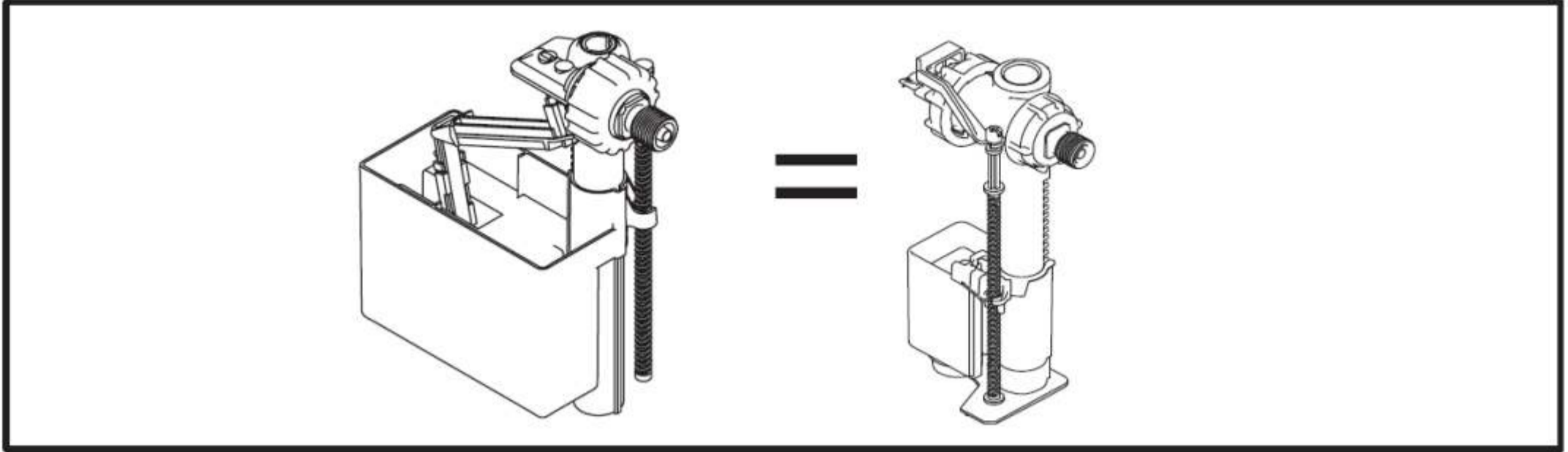
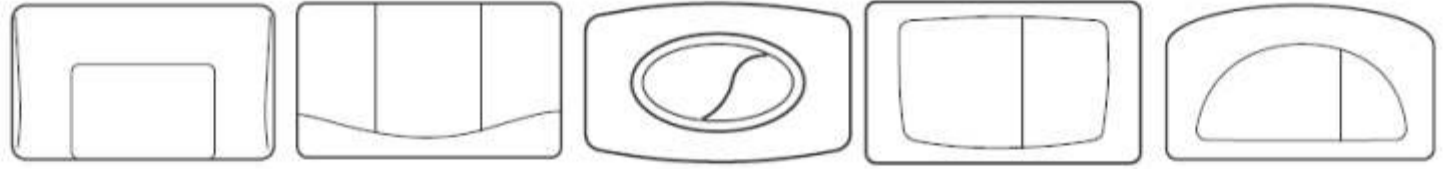


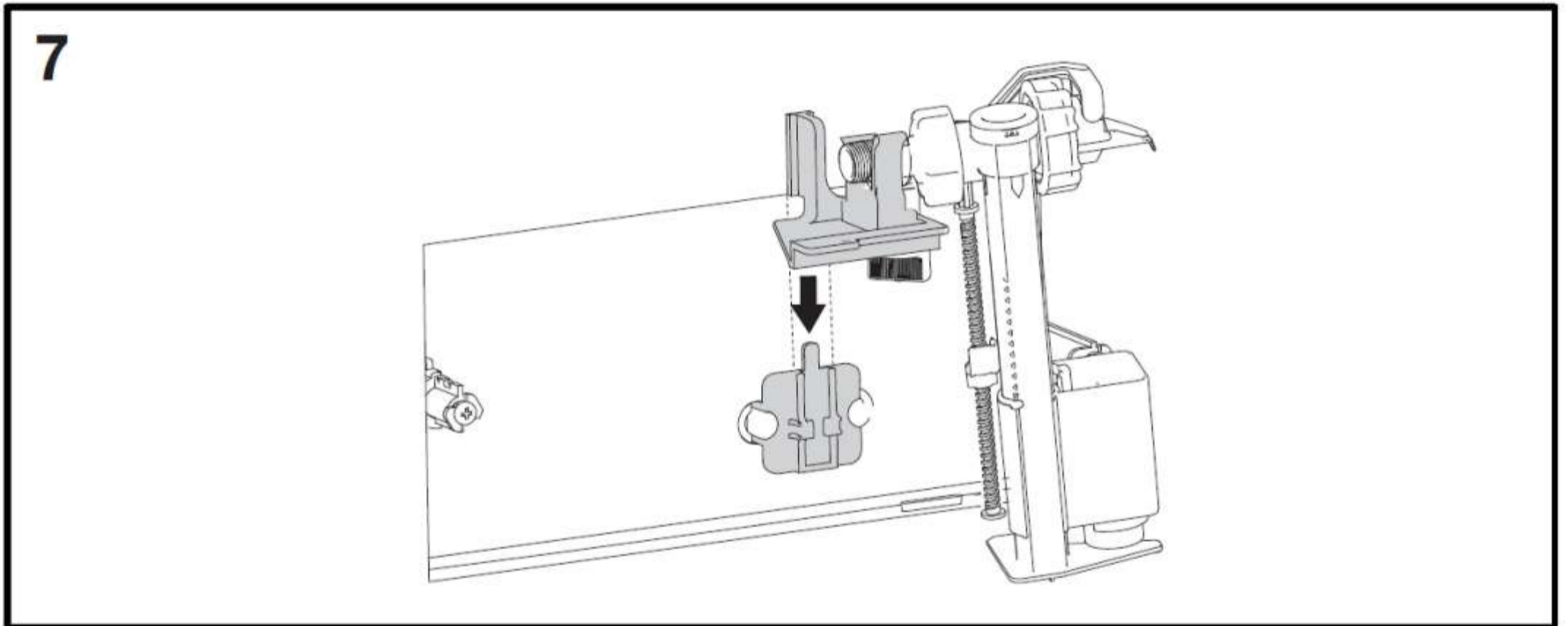
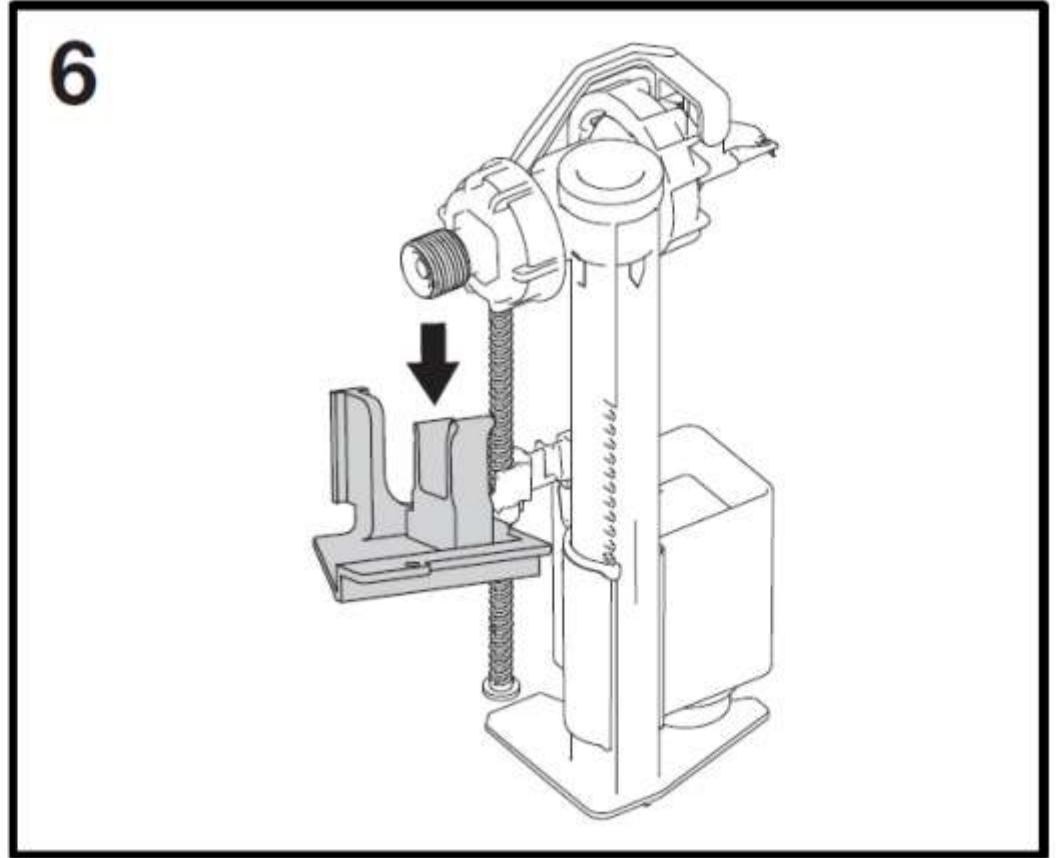
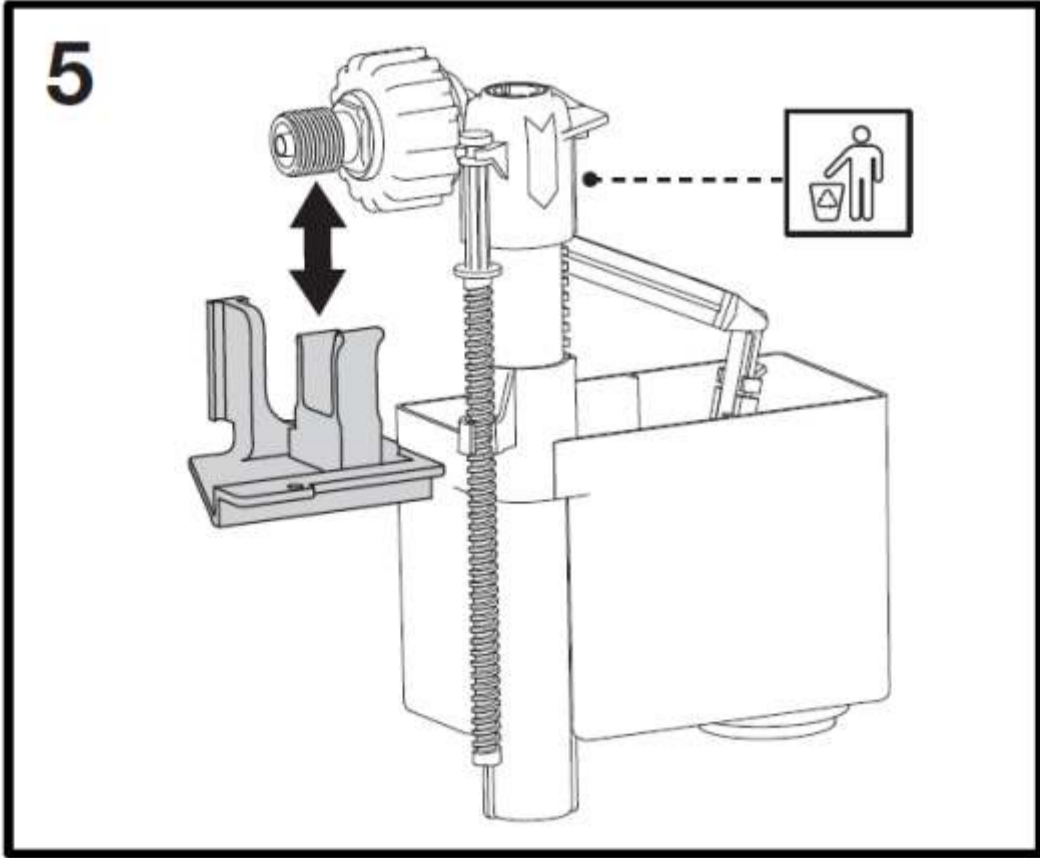
6

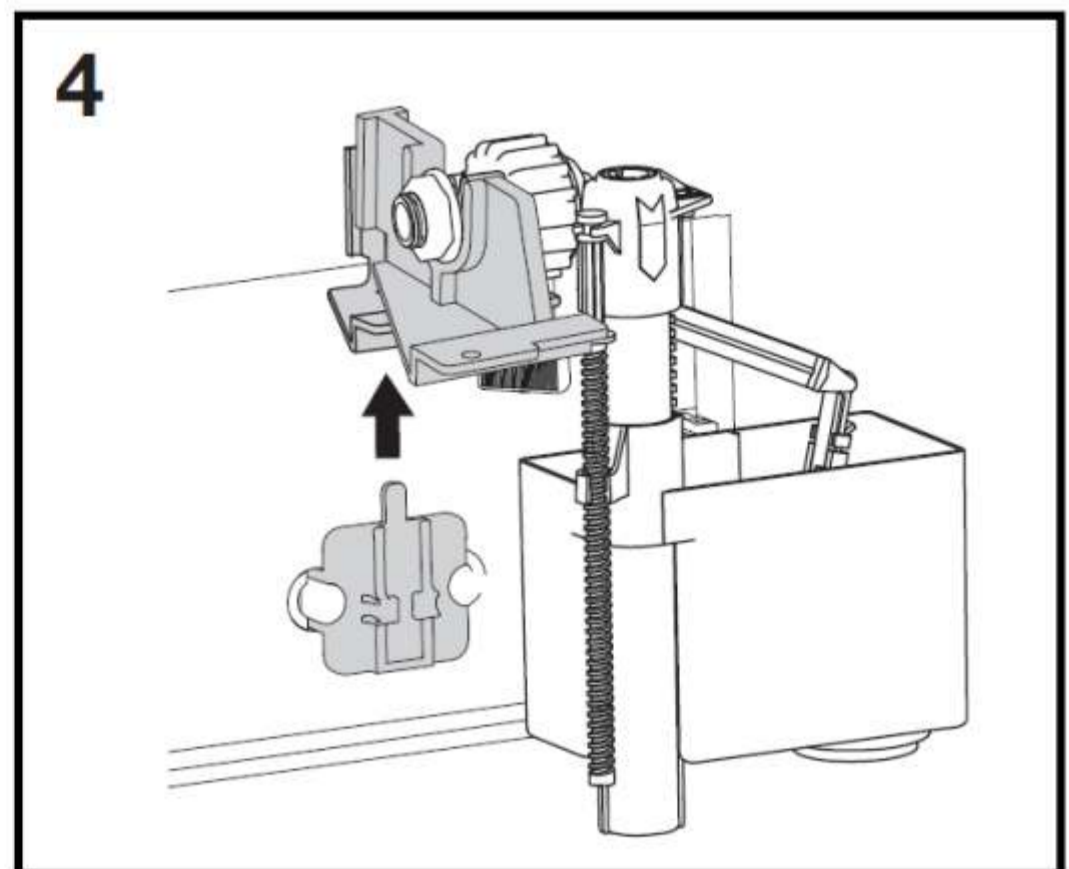
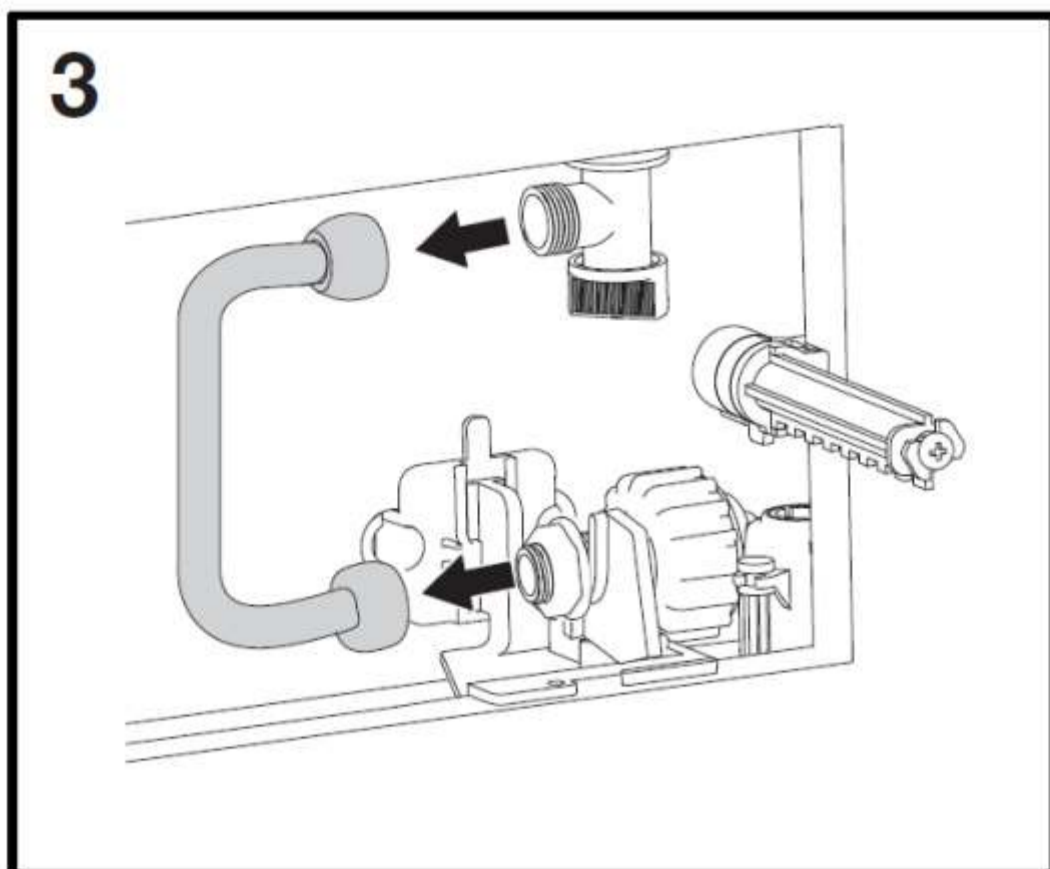
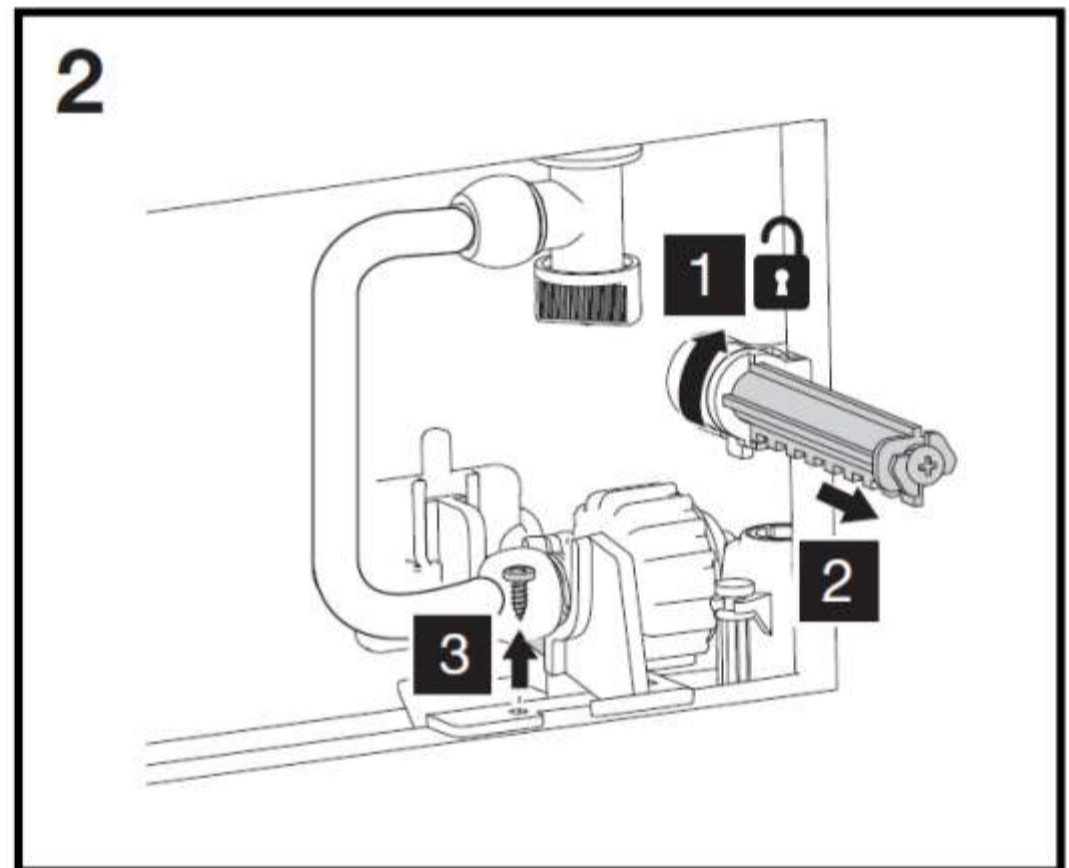
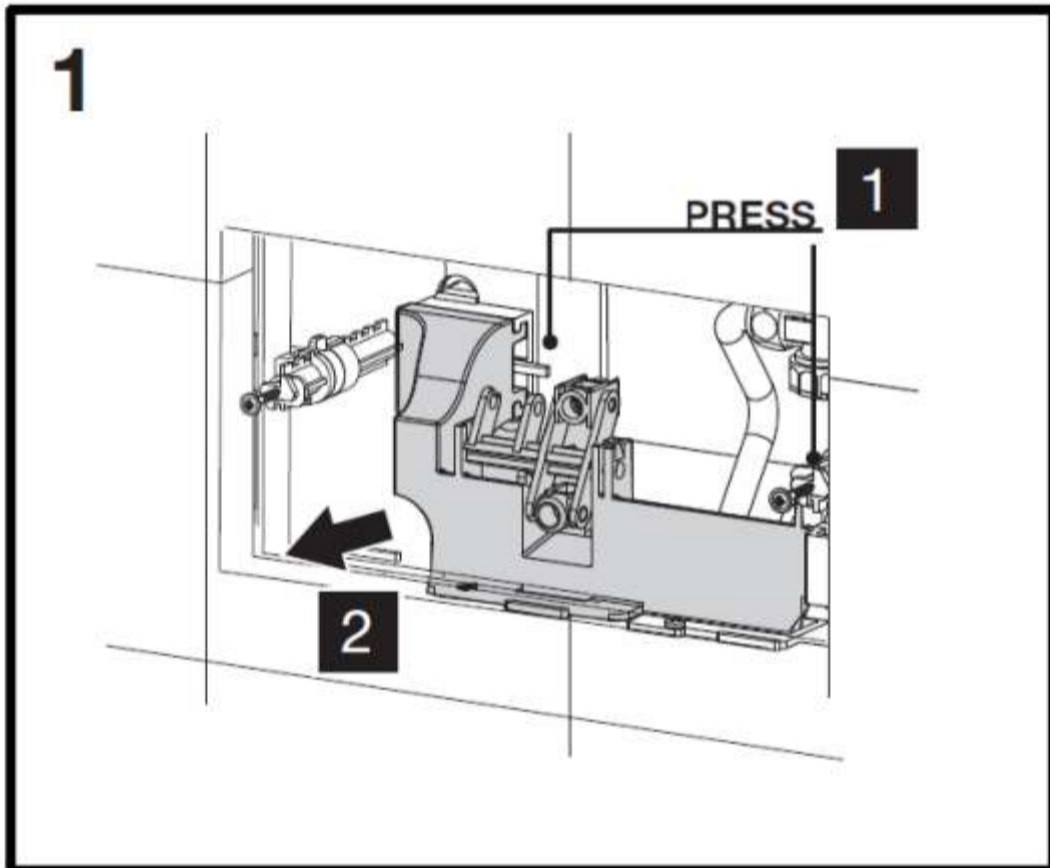
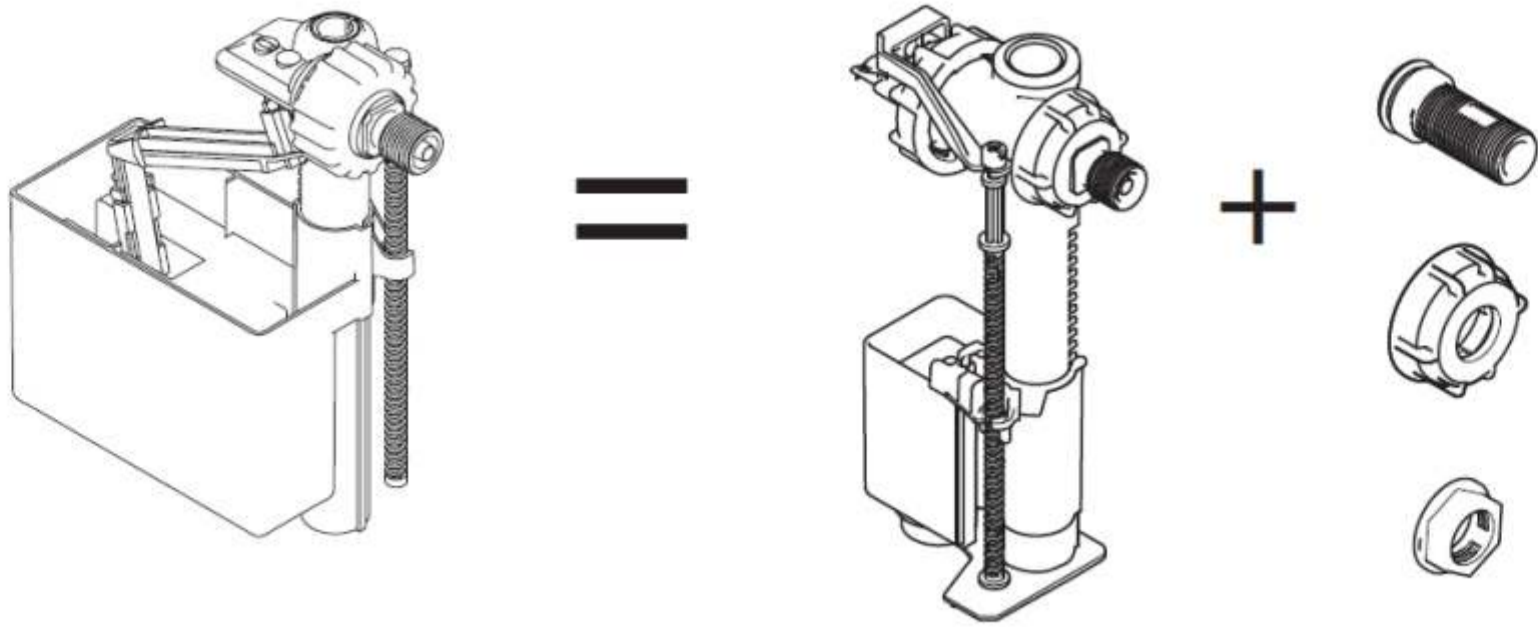
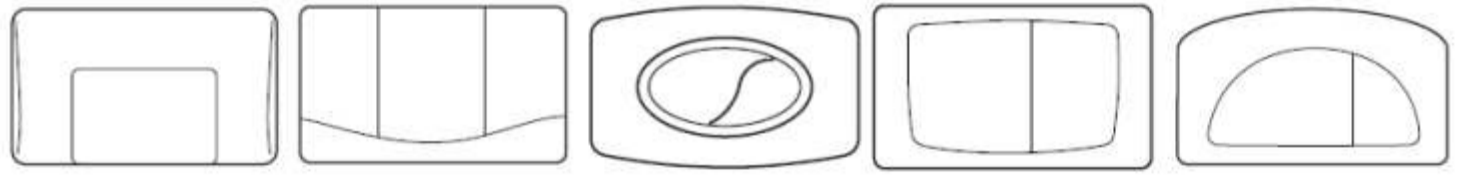


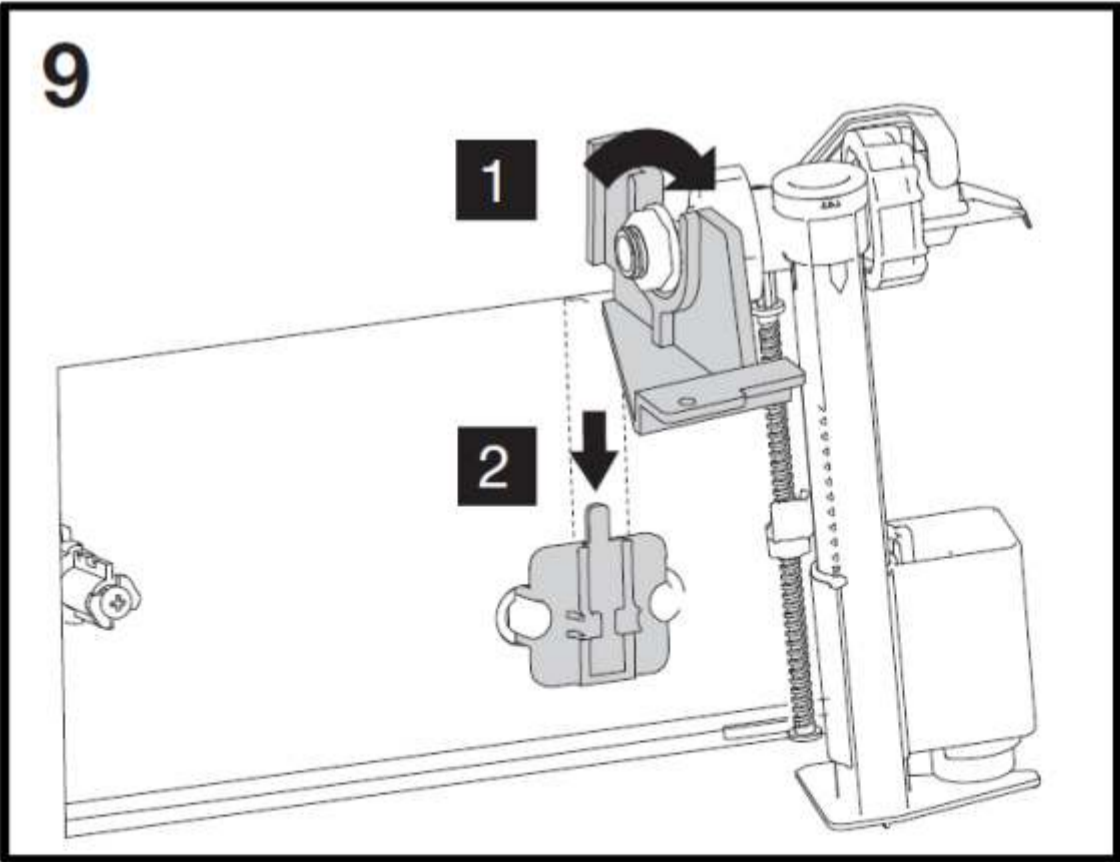
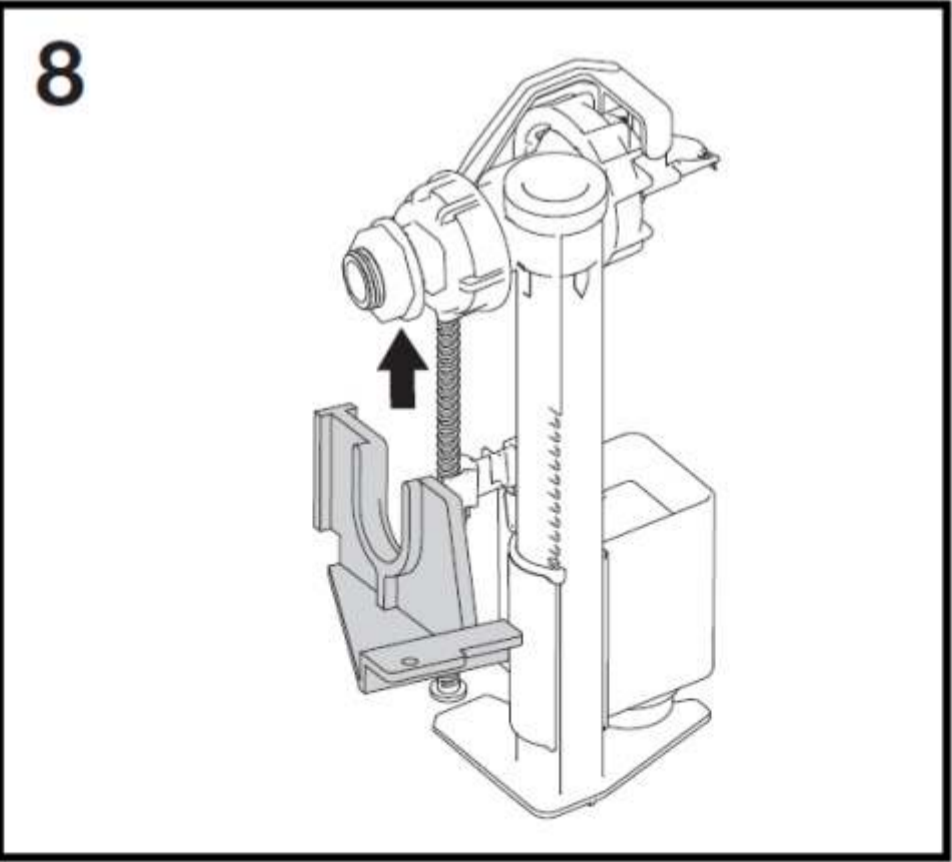
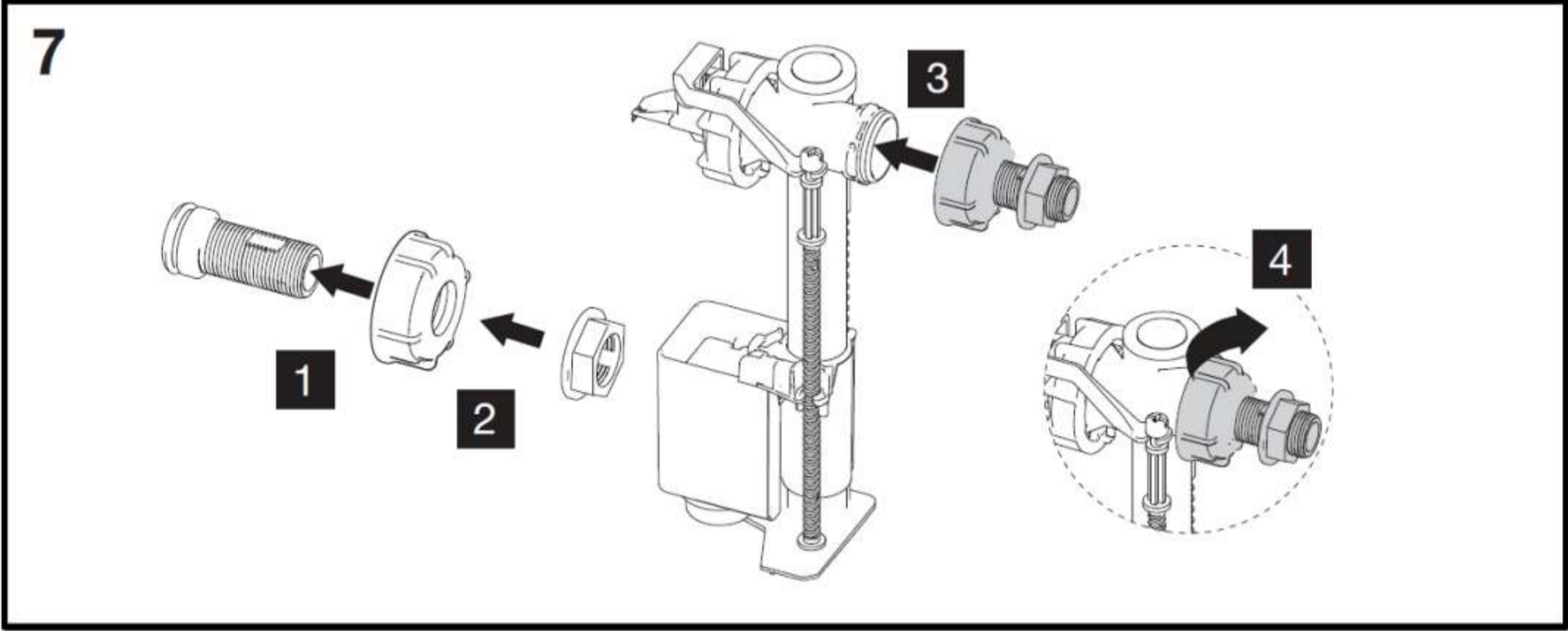
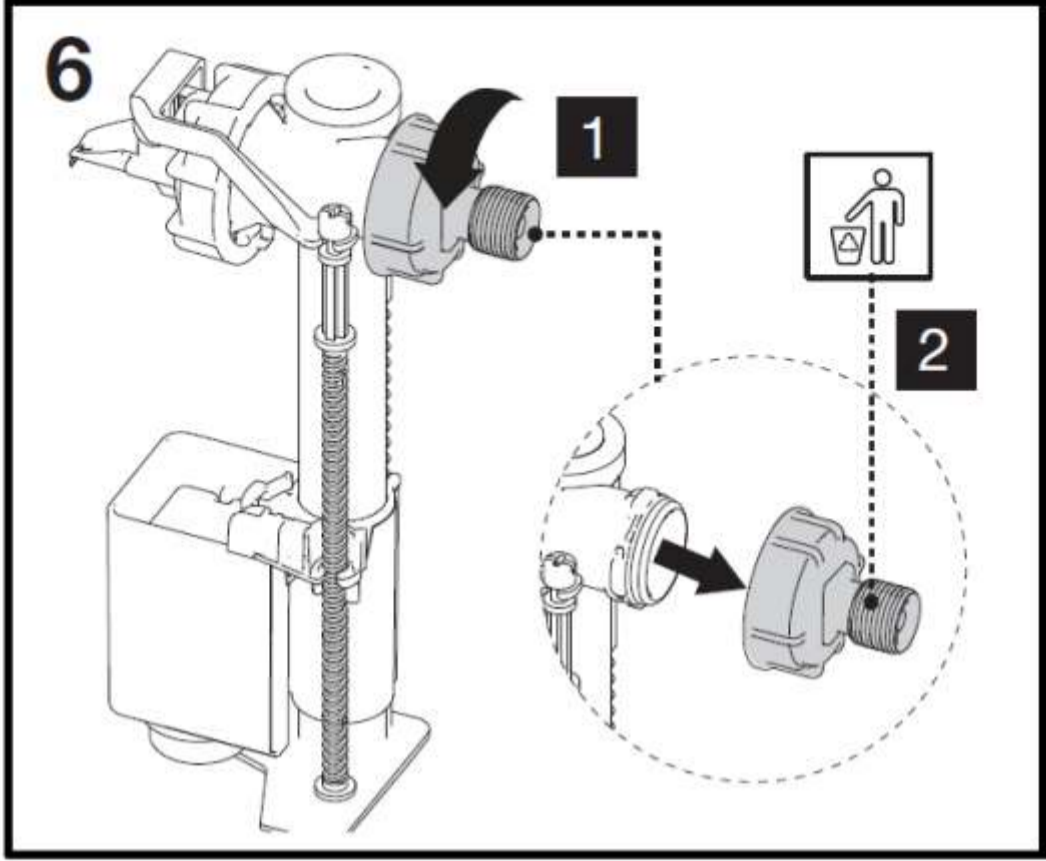
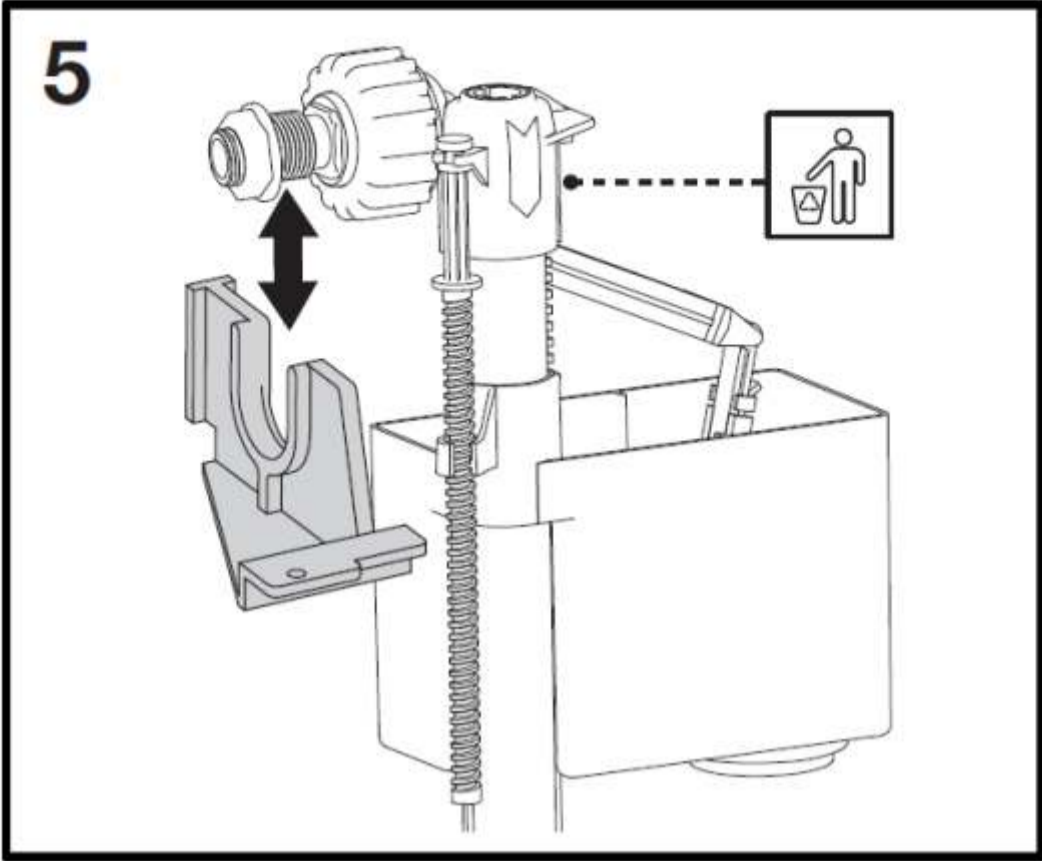
7





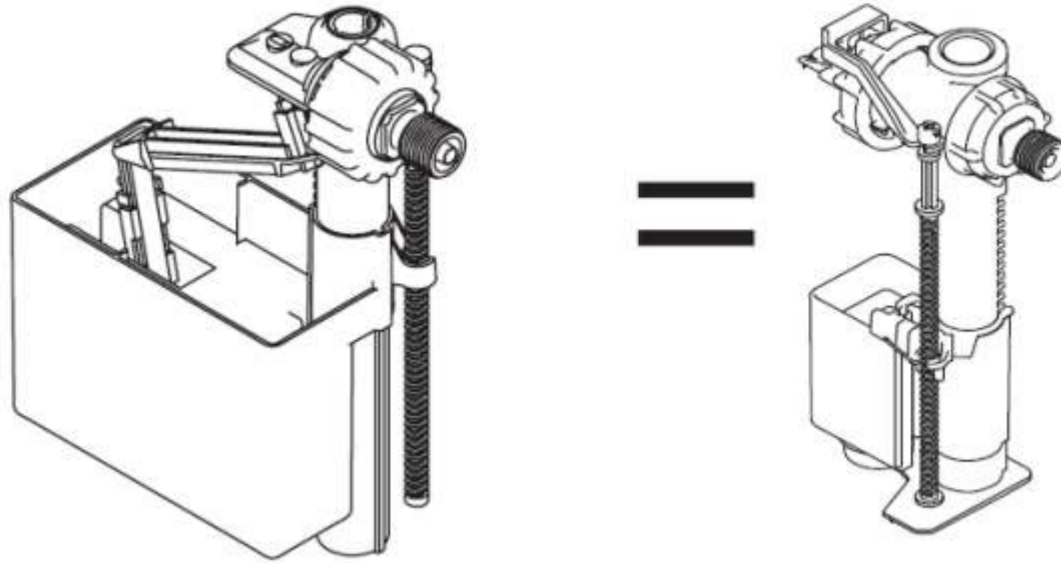
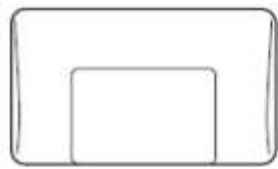




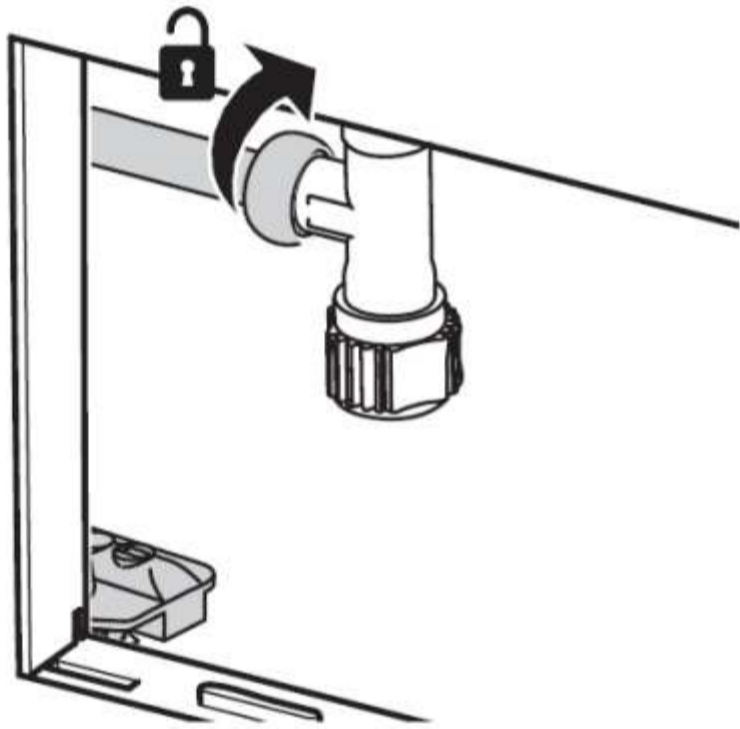




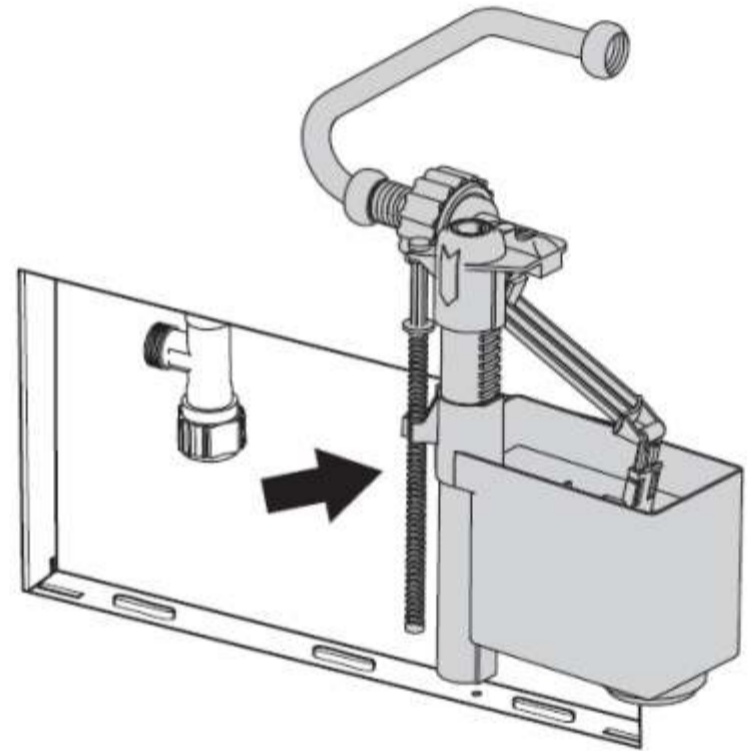
OLI: Diamante 93-99



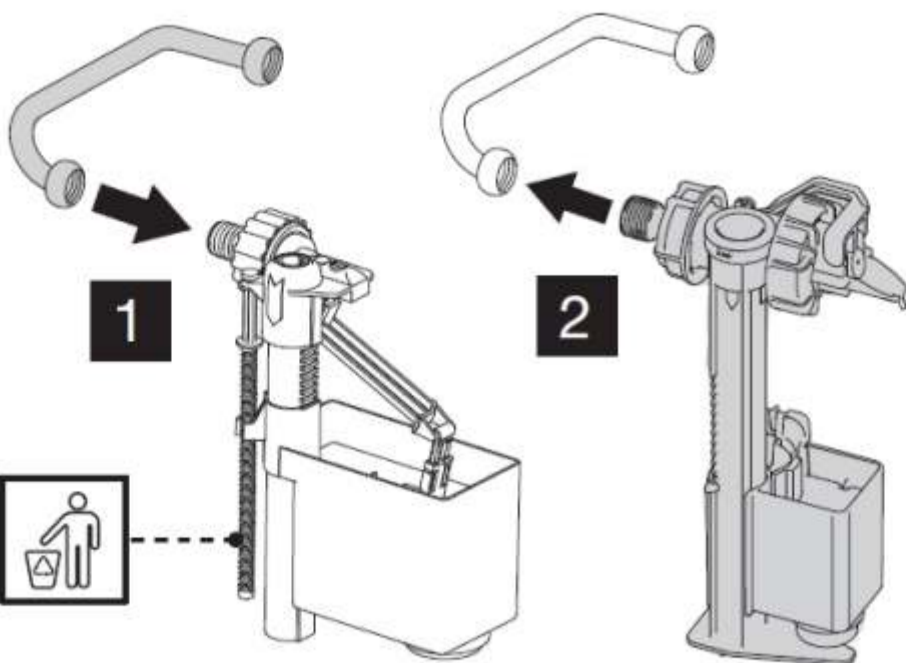
1



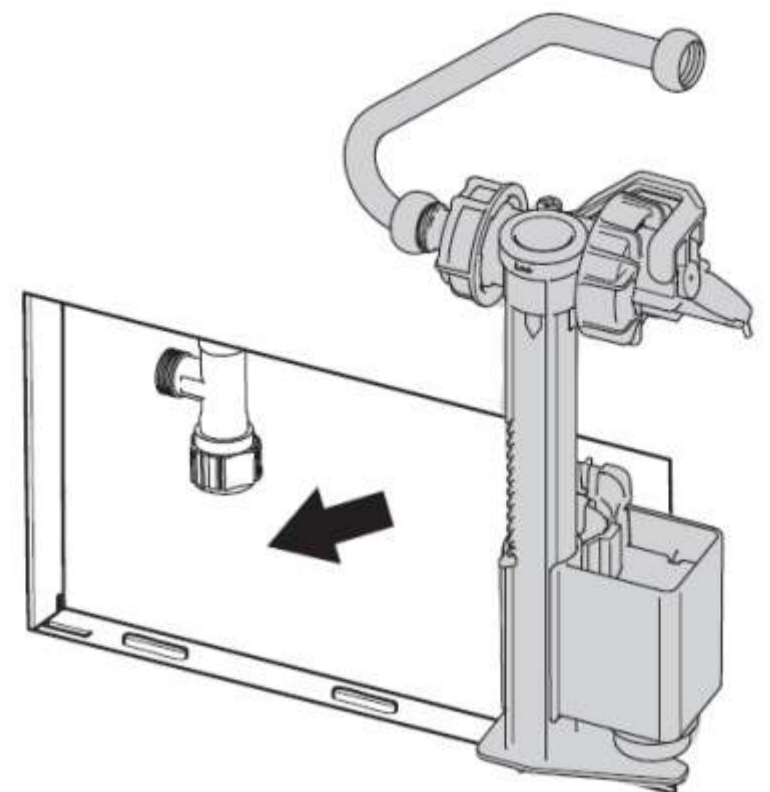
2



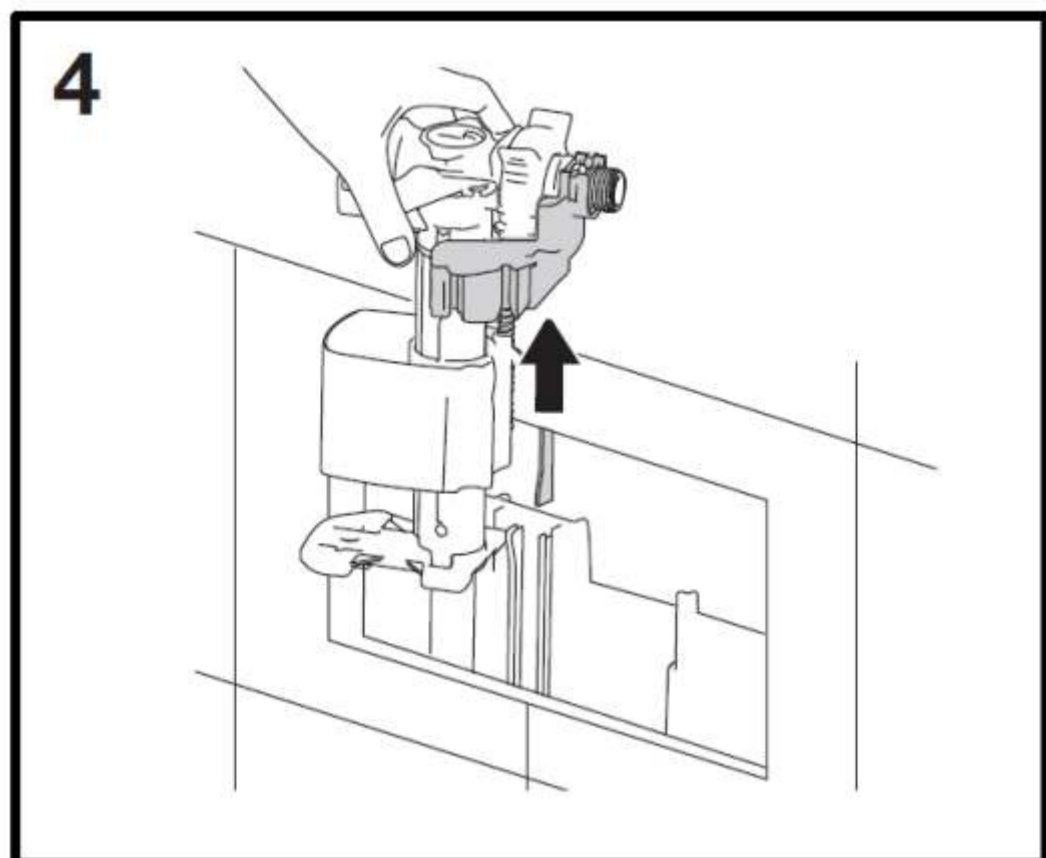
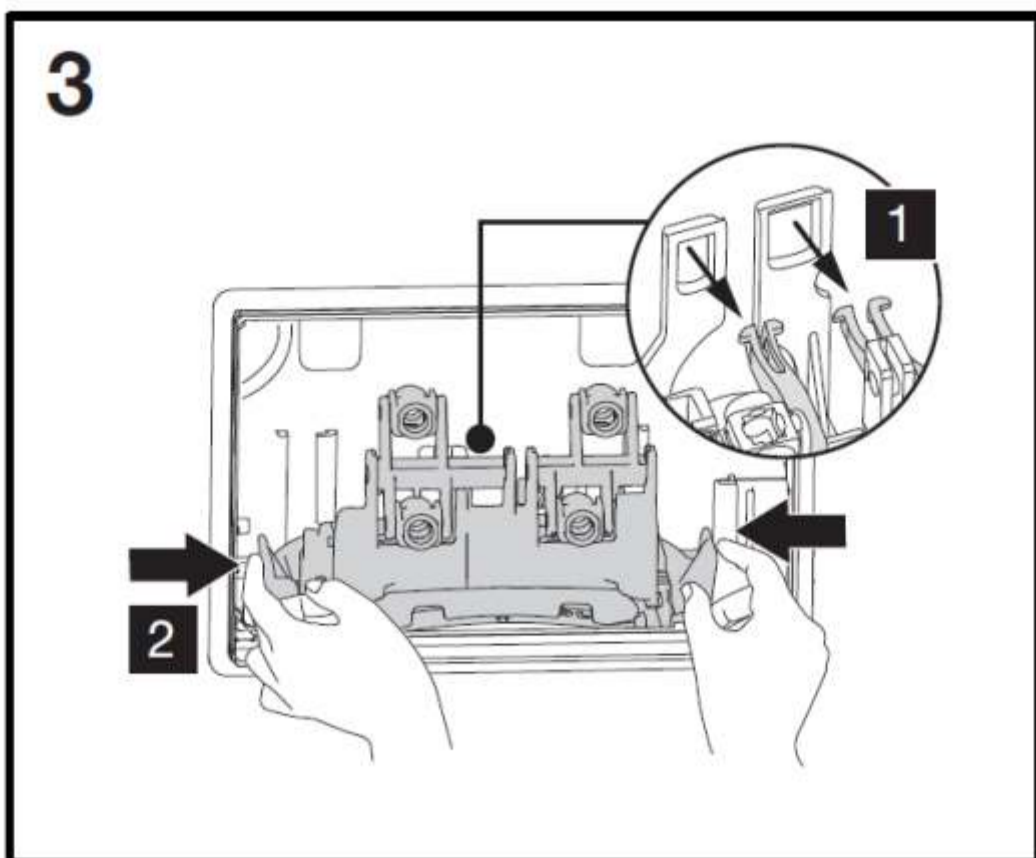
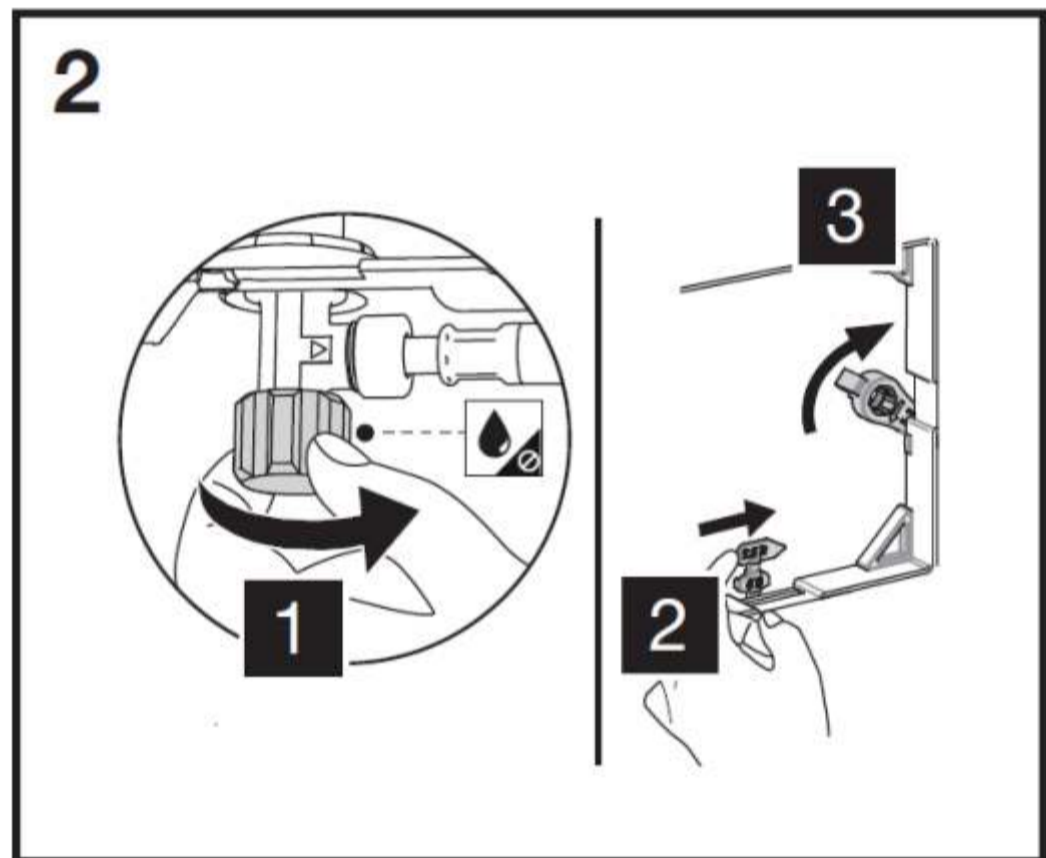
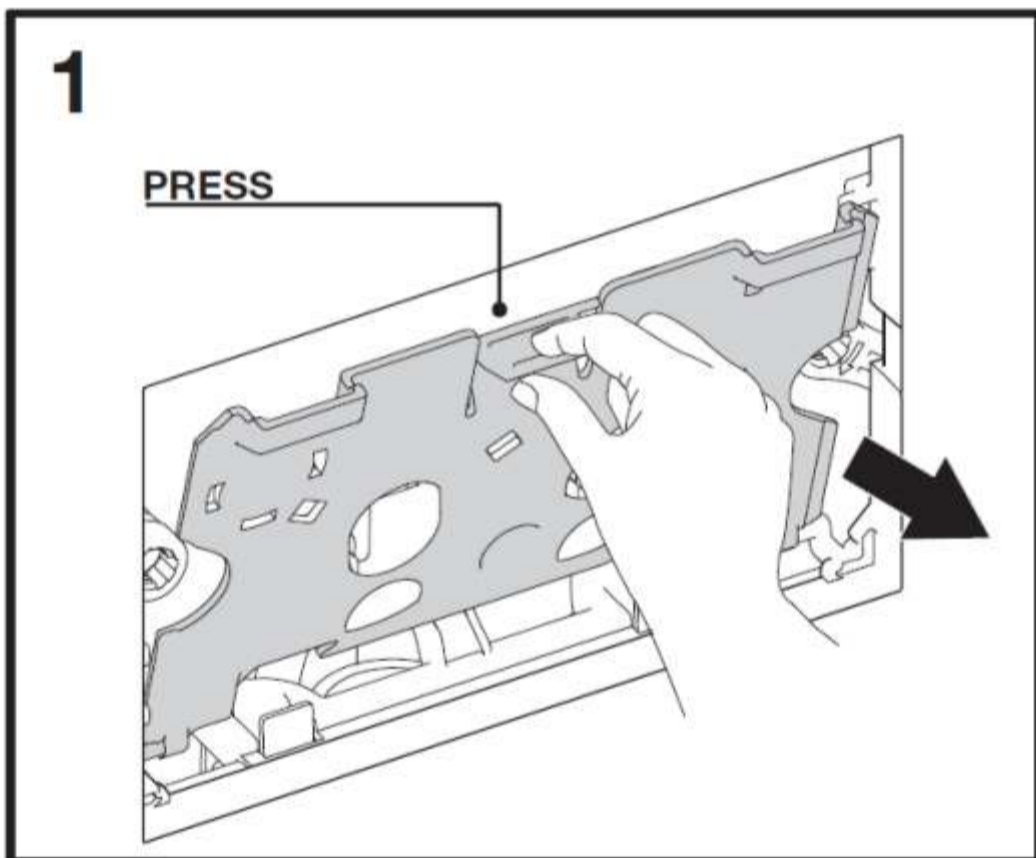
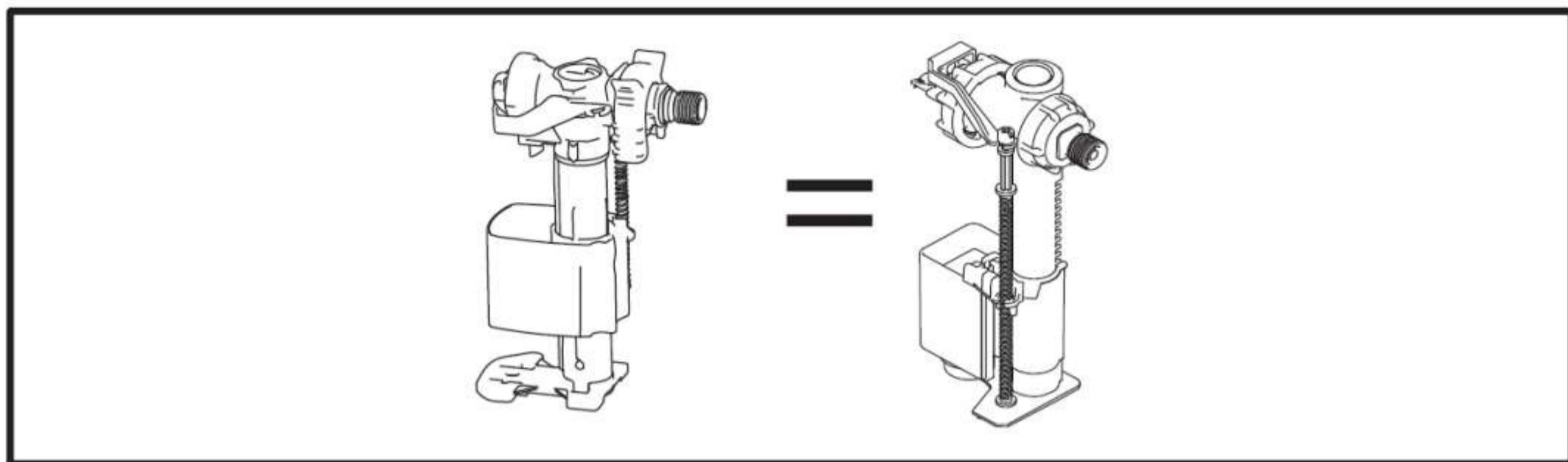
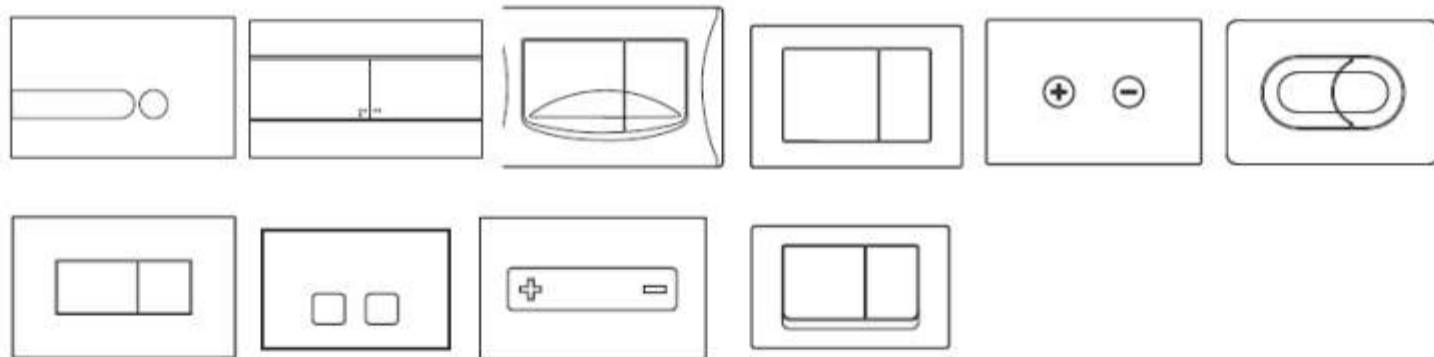
3



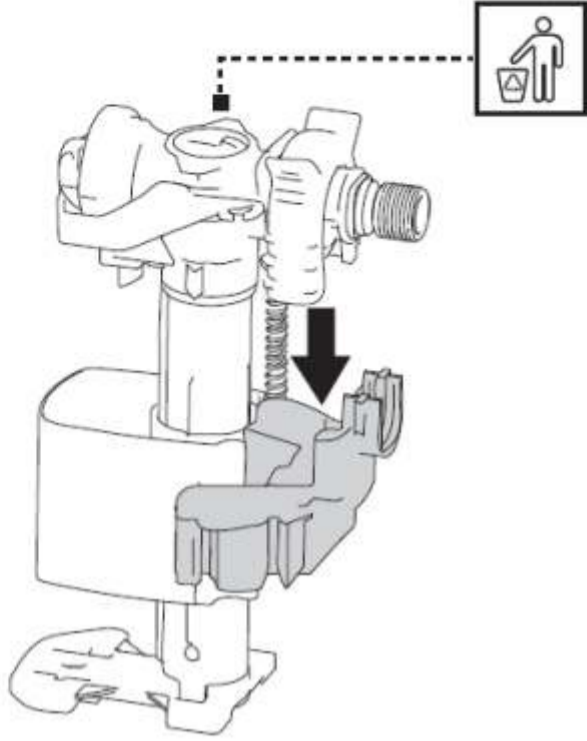
4



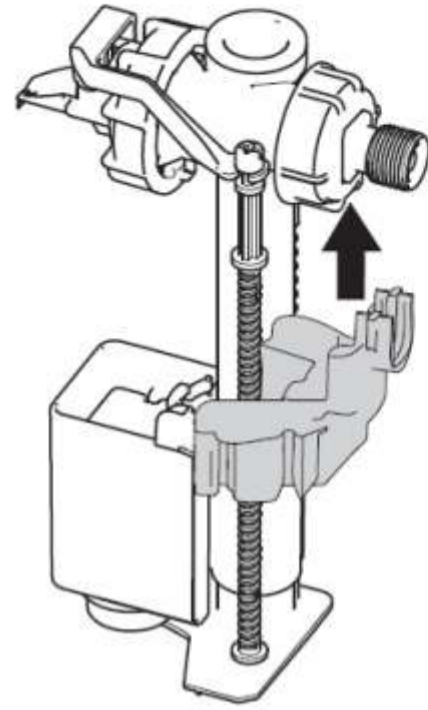
i OLI: EXPERT PLUS



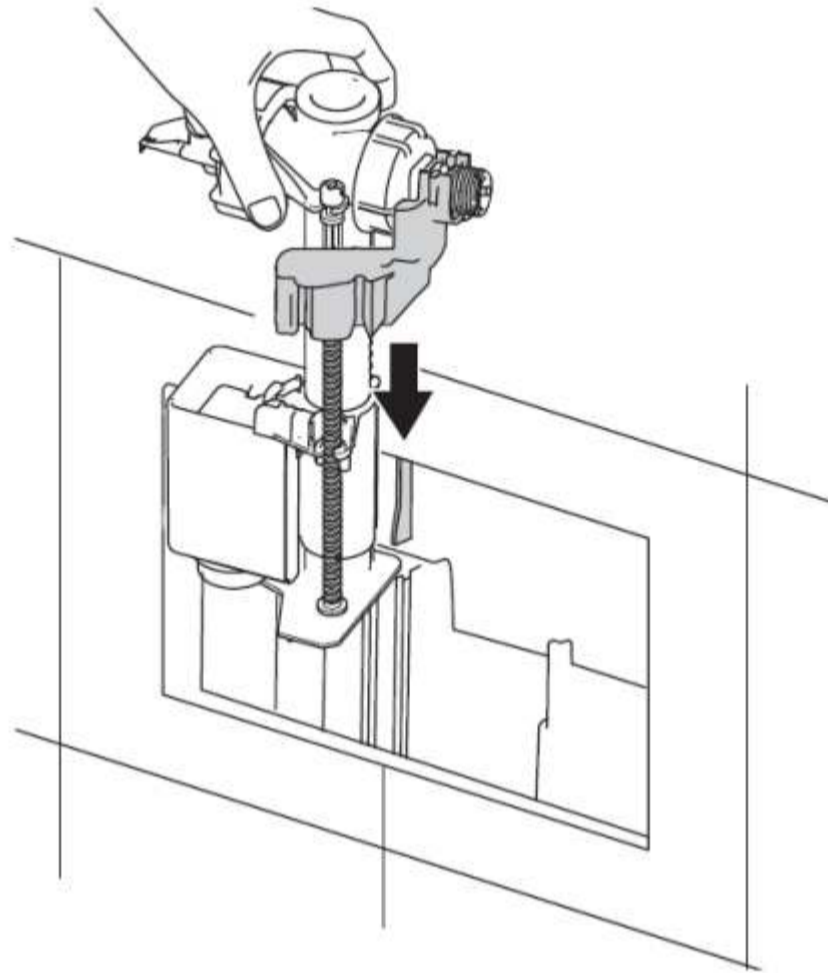
5

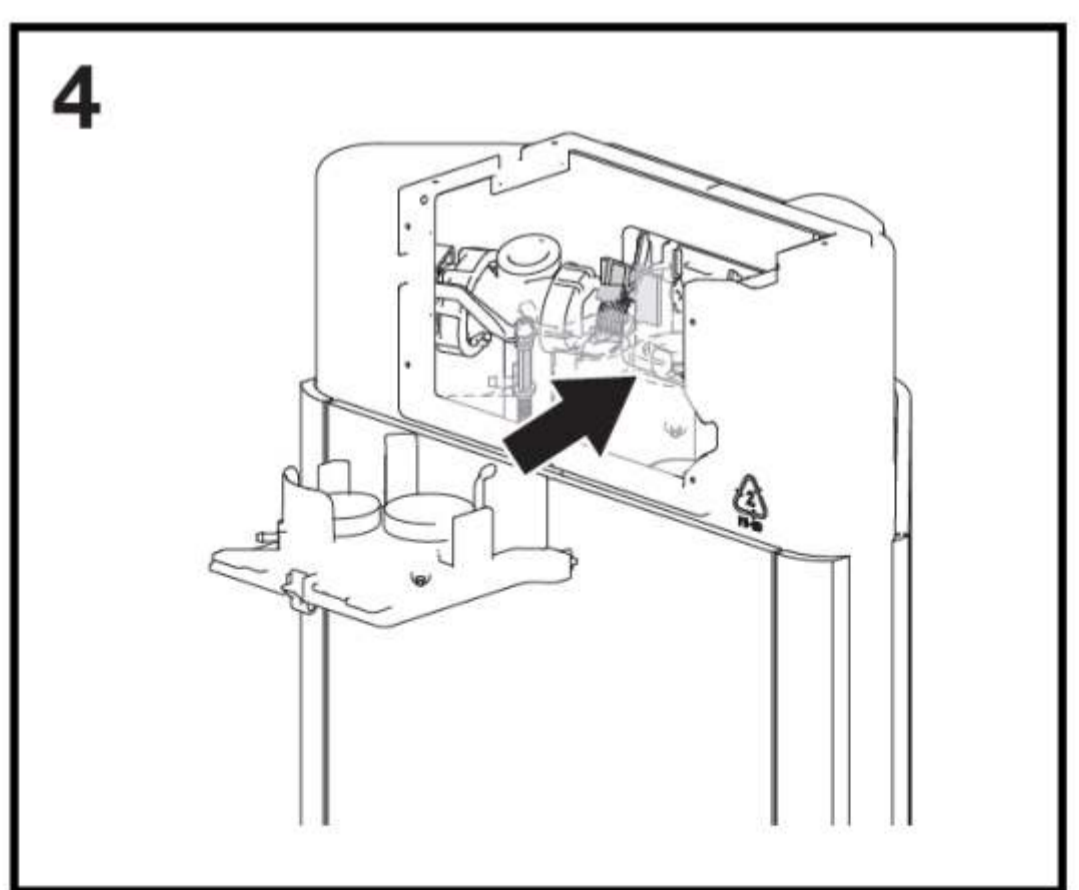
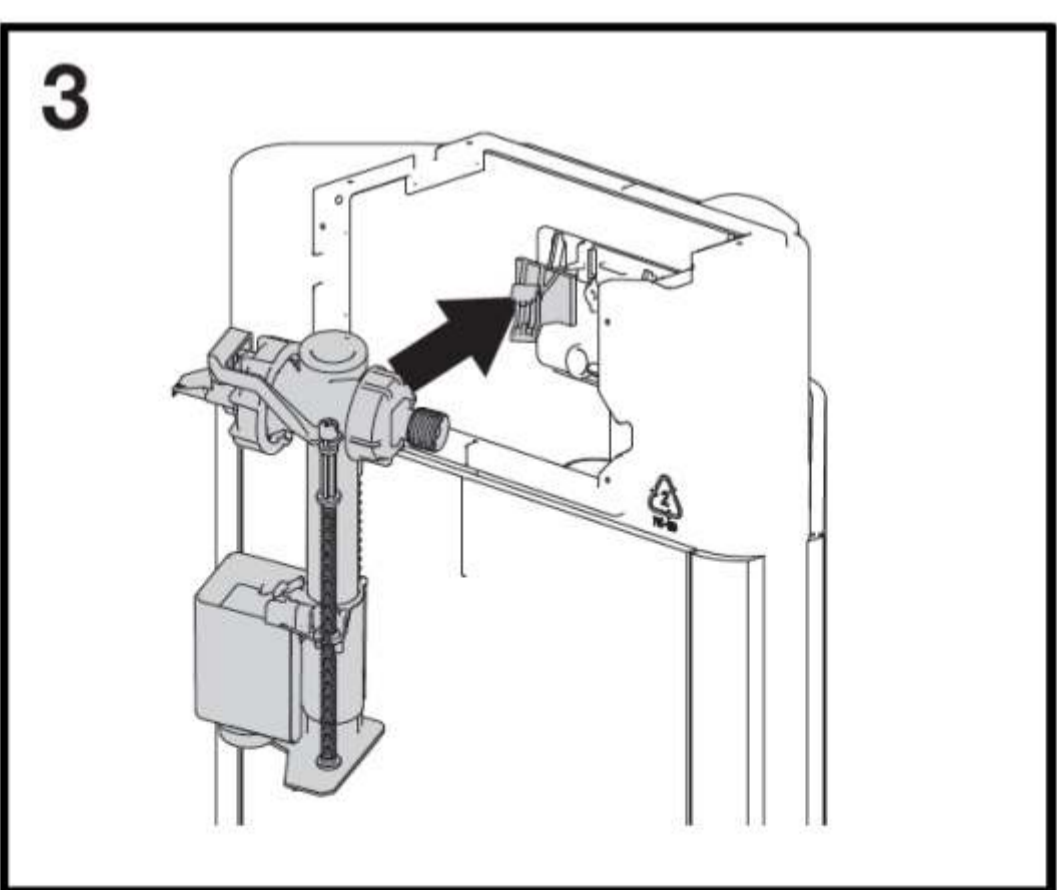
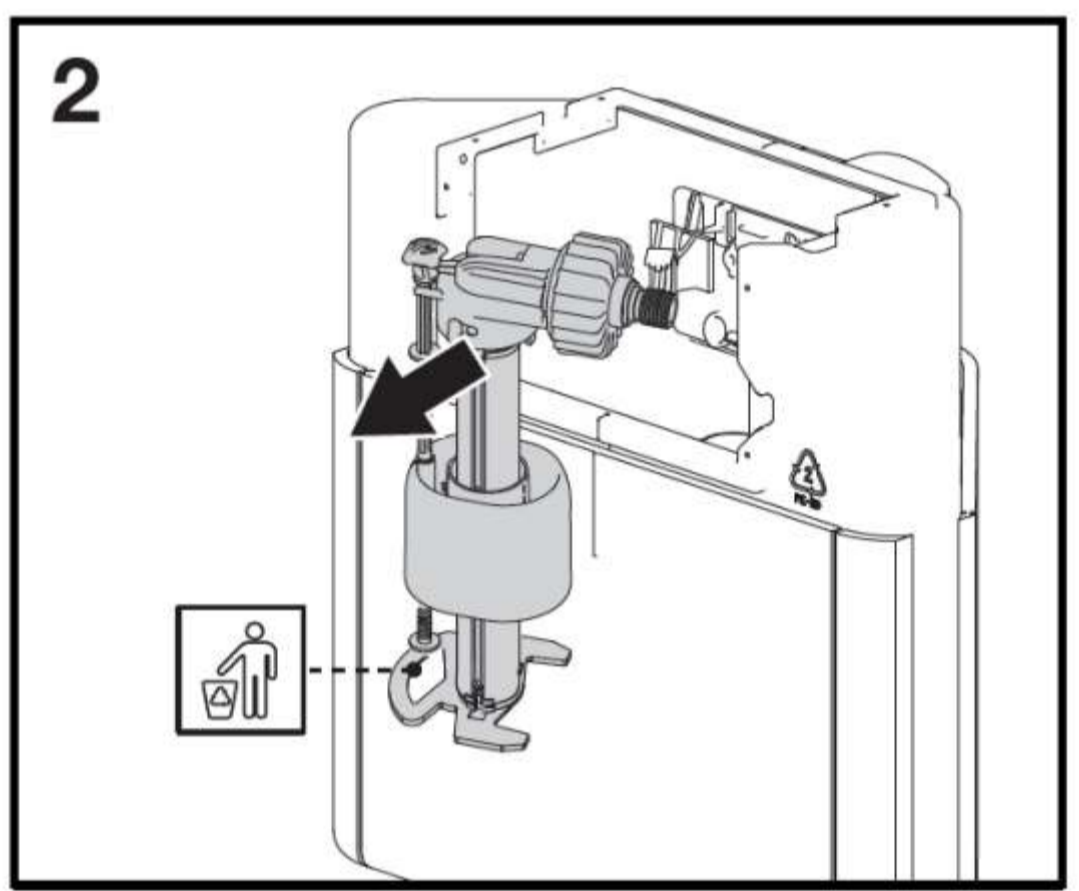
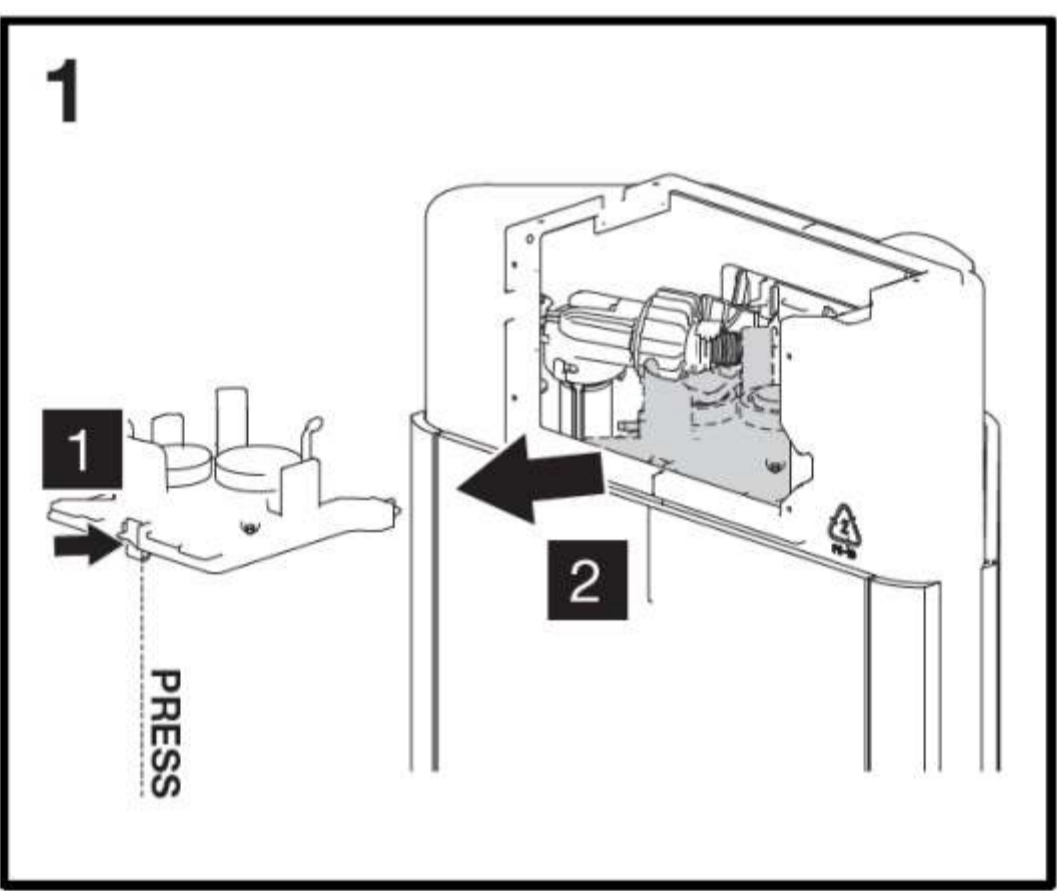
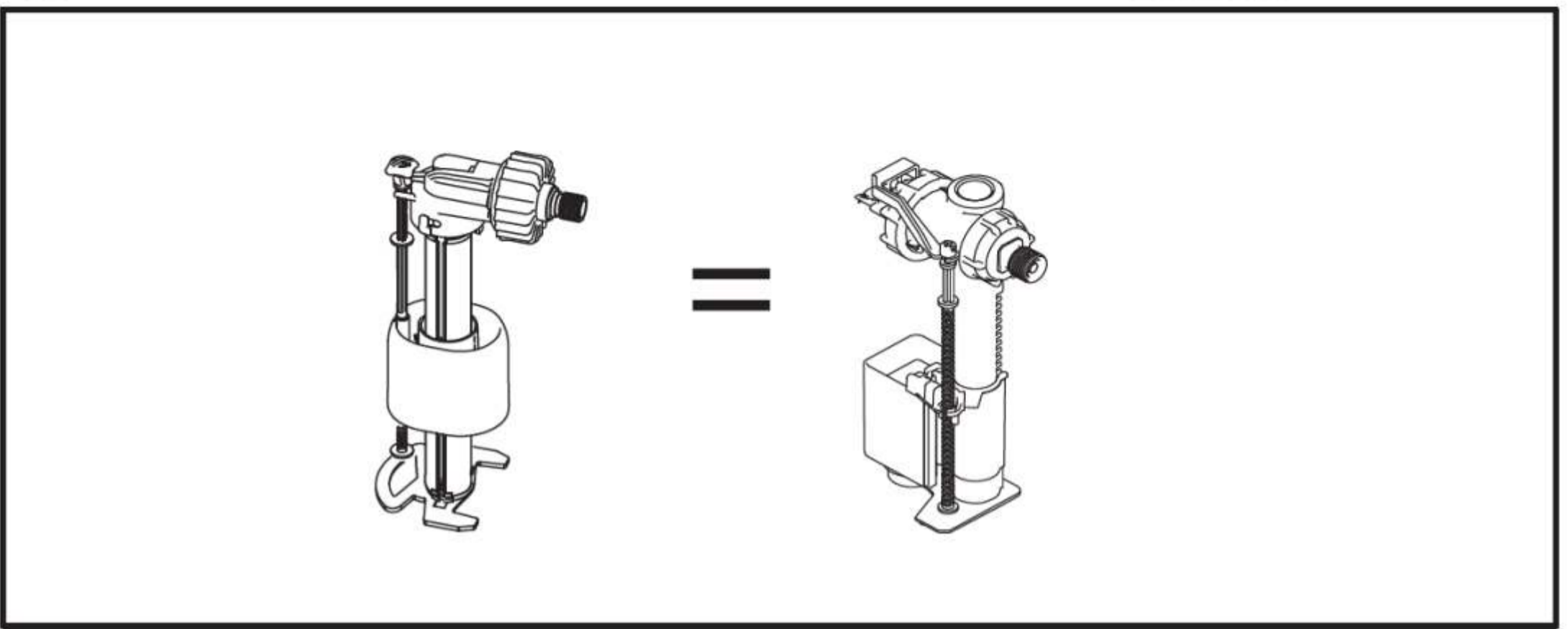
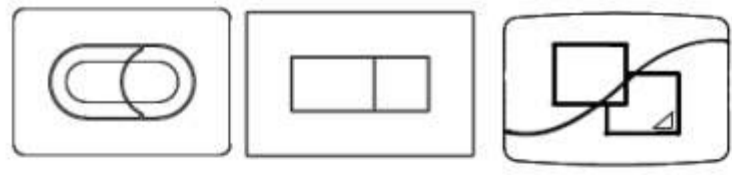


6



7



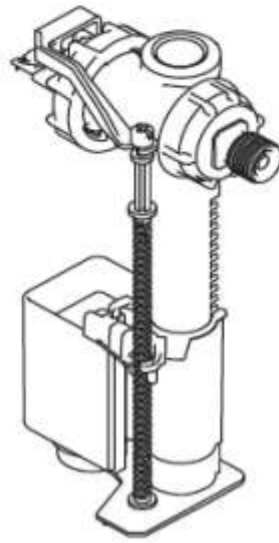




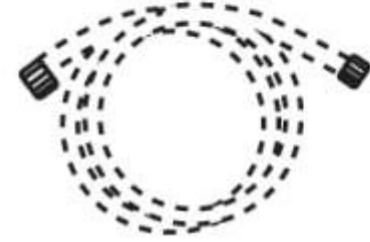
*GEBERIT® TWILINE UP170 (1989-2004)



=



+

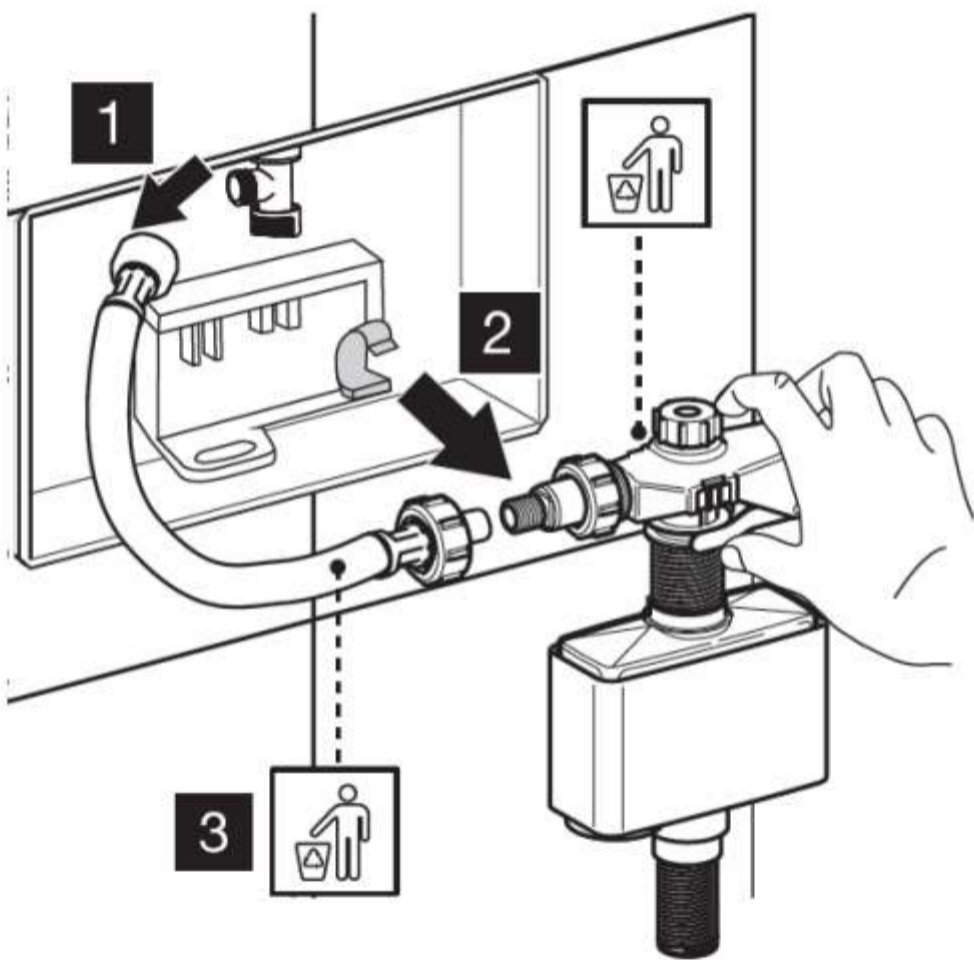


OPTIONAL UNIVERSAL FLEX

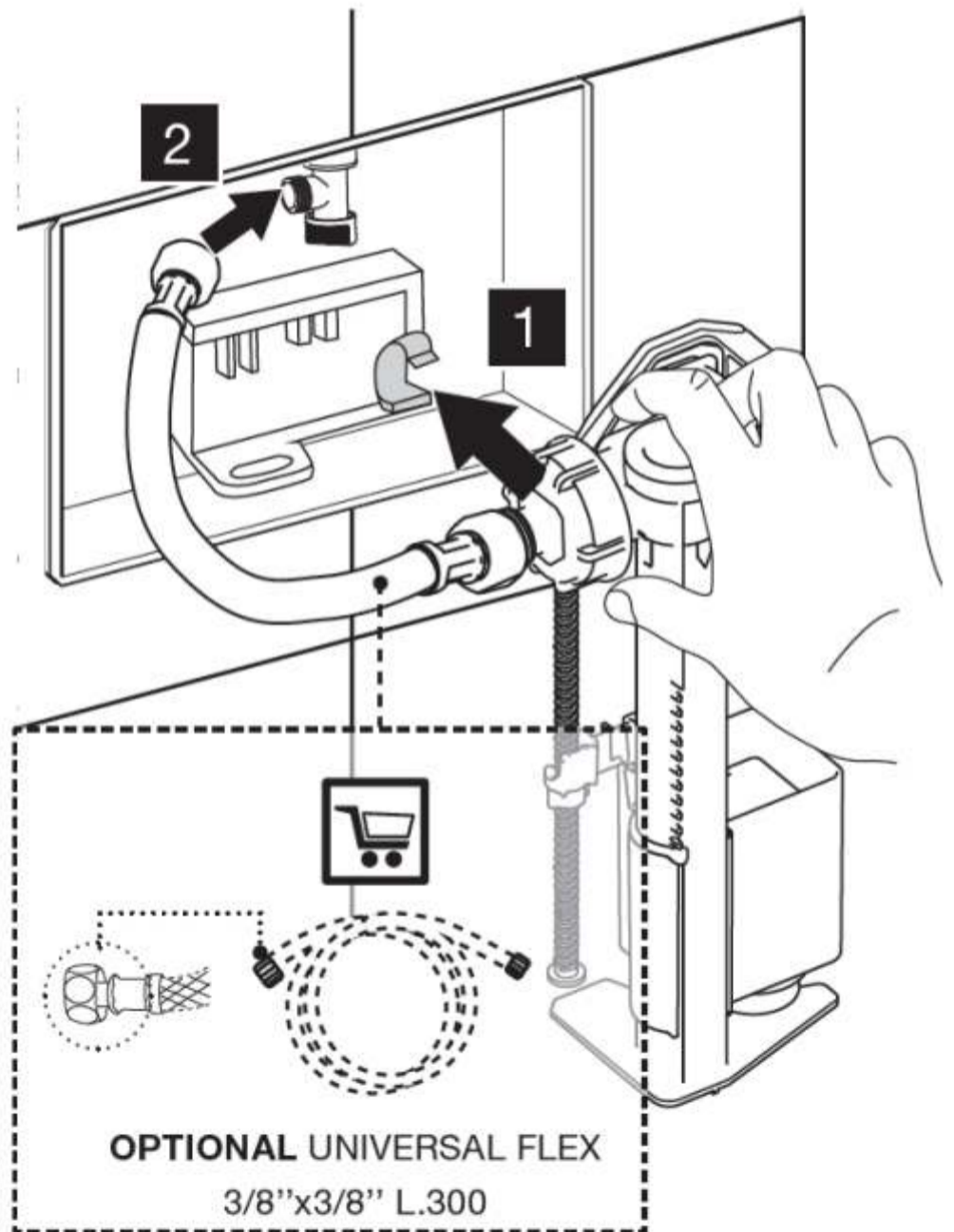
3/8" x 3/8" L.300

*Are not OLI registered trademark

1

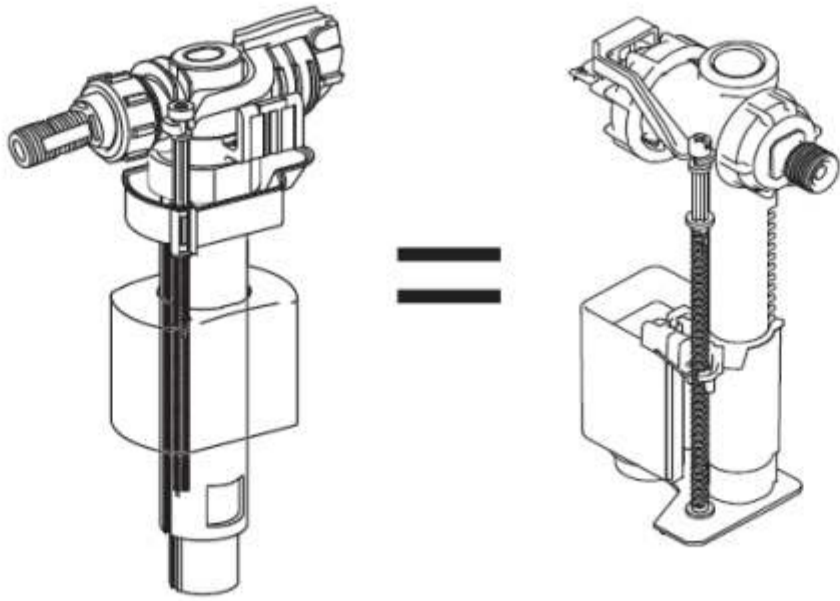


2



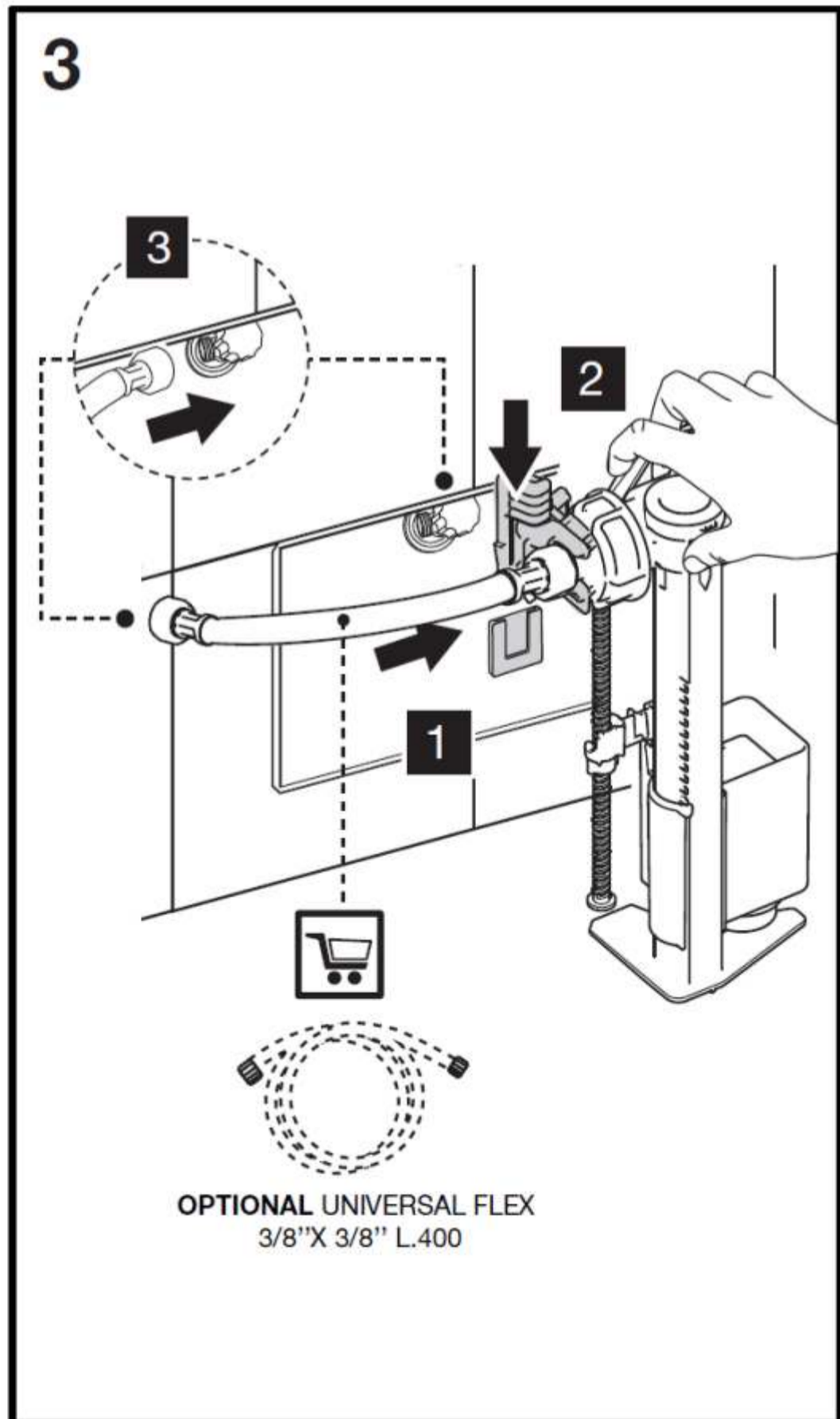
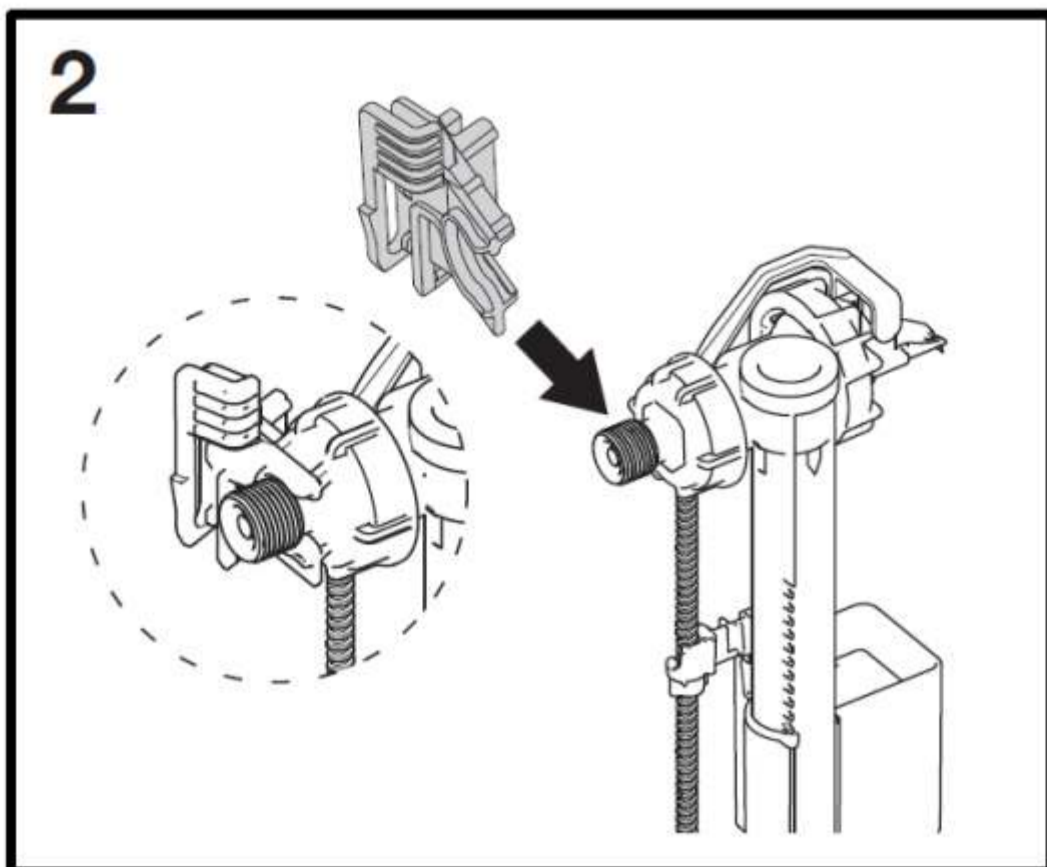
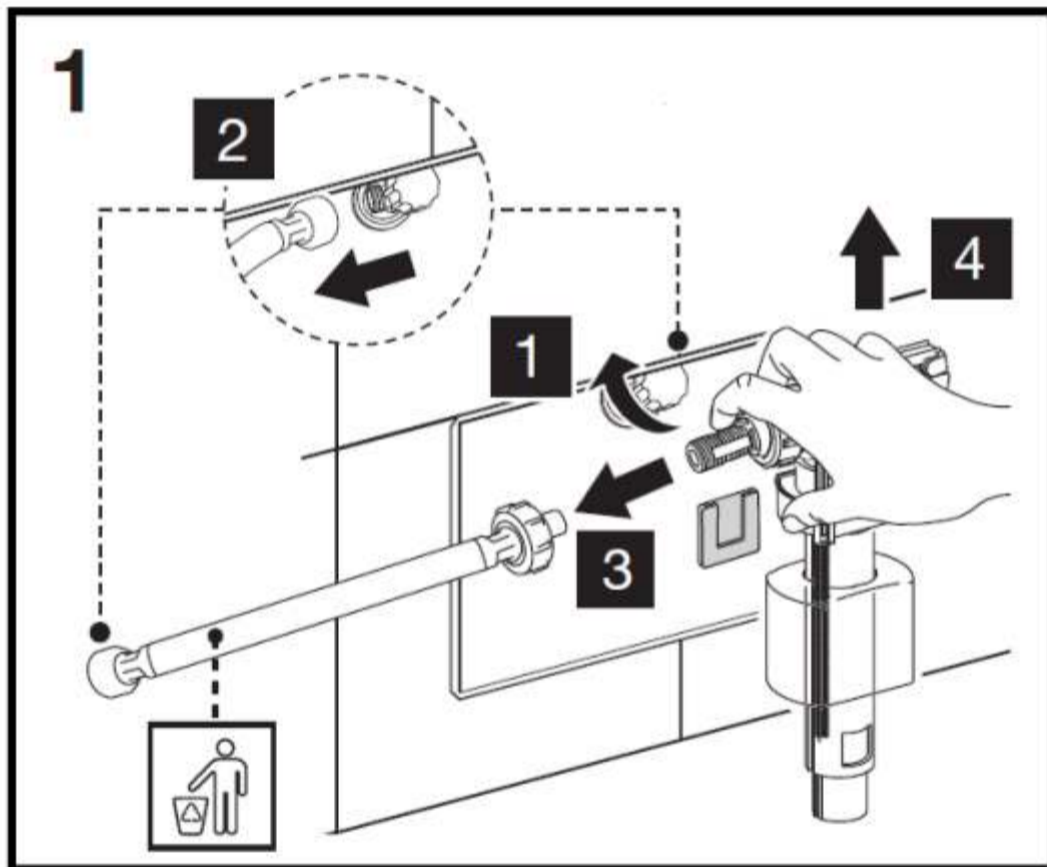


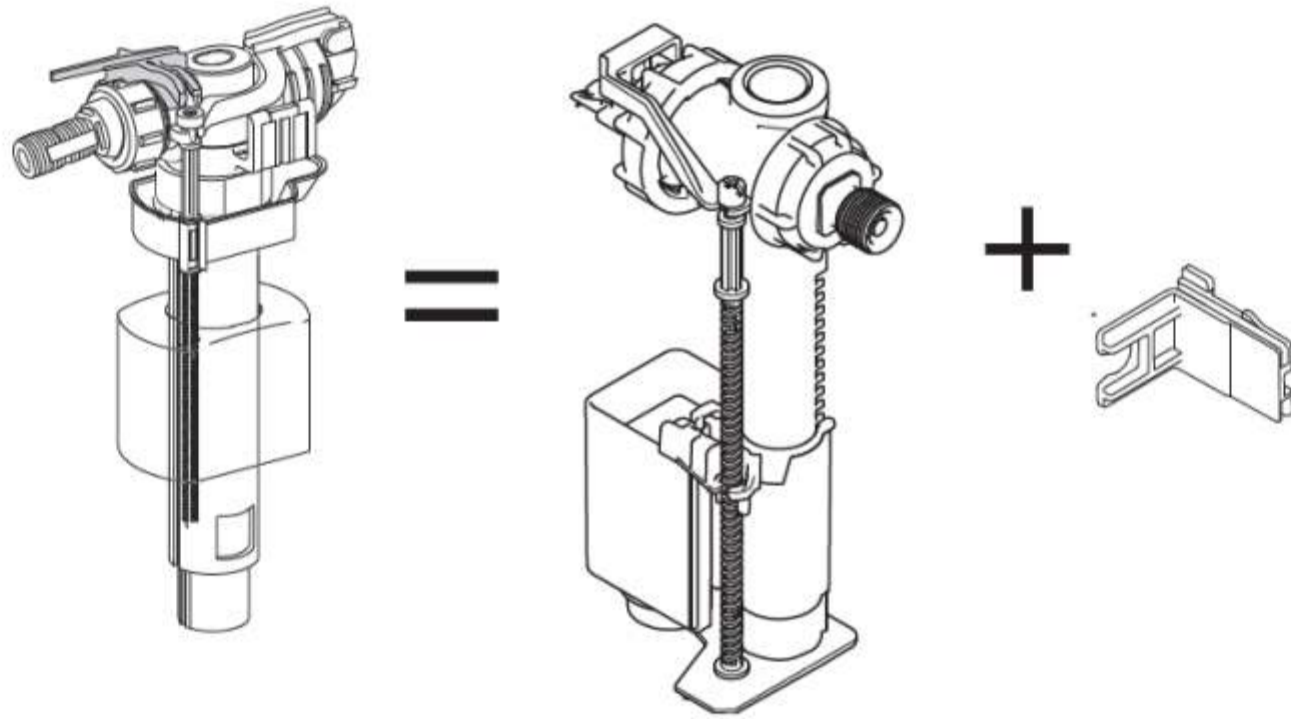
***GEBERIT® DUOFIX SIGMA12**



OPTIONAL UNIVERSAL FLEX
3/8"X 3/8" L.400

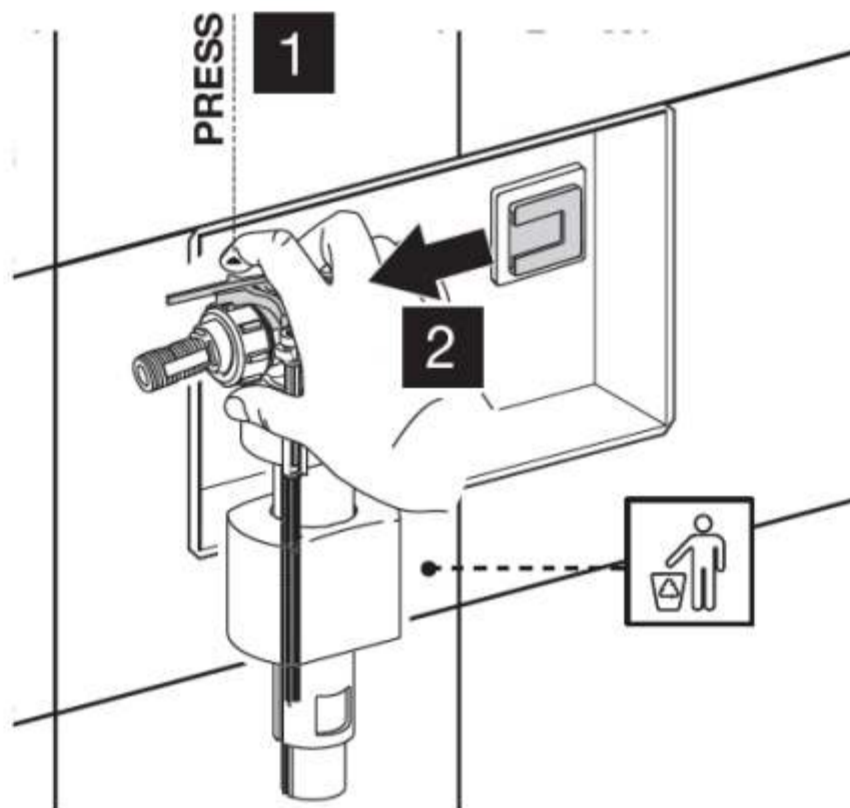
*Are not OLI registered trademark



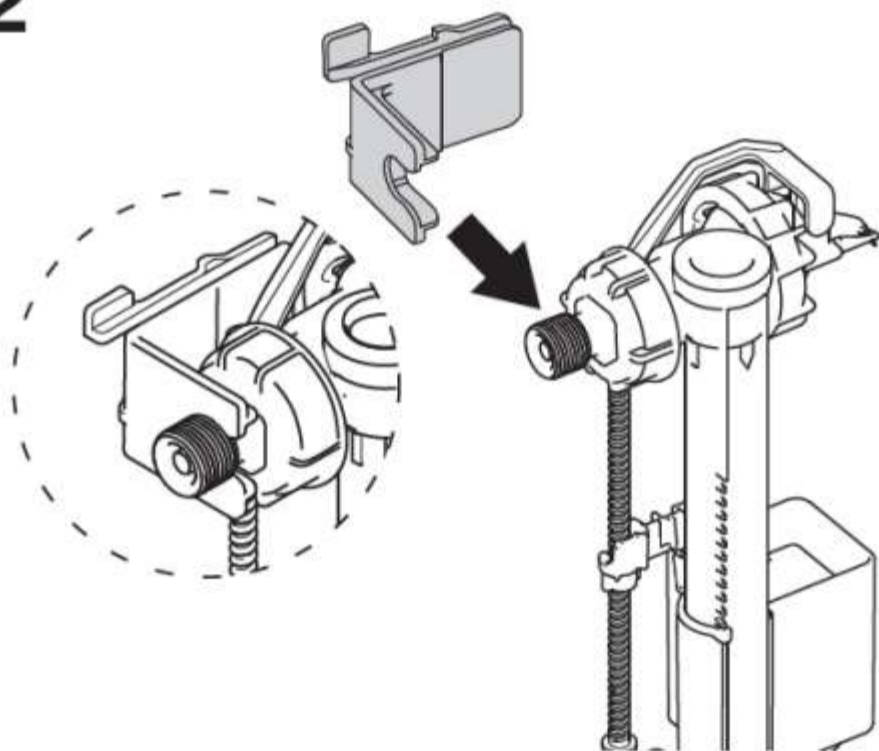


*Are not OLI registered trademark

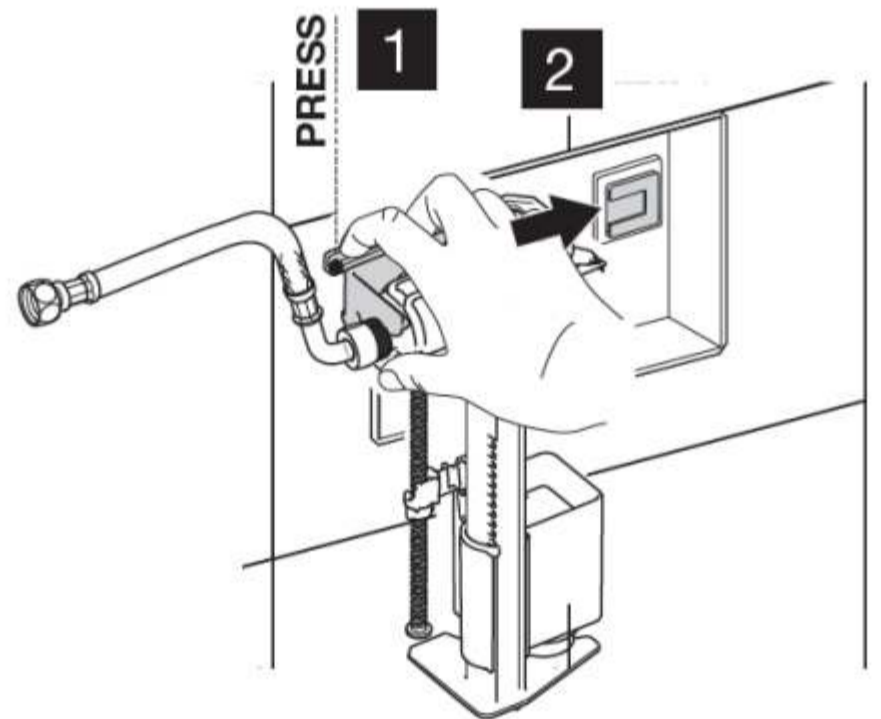
1

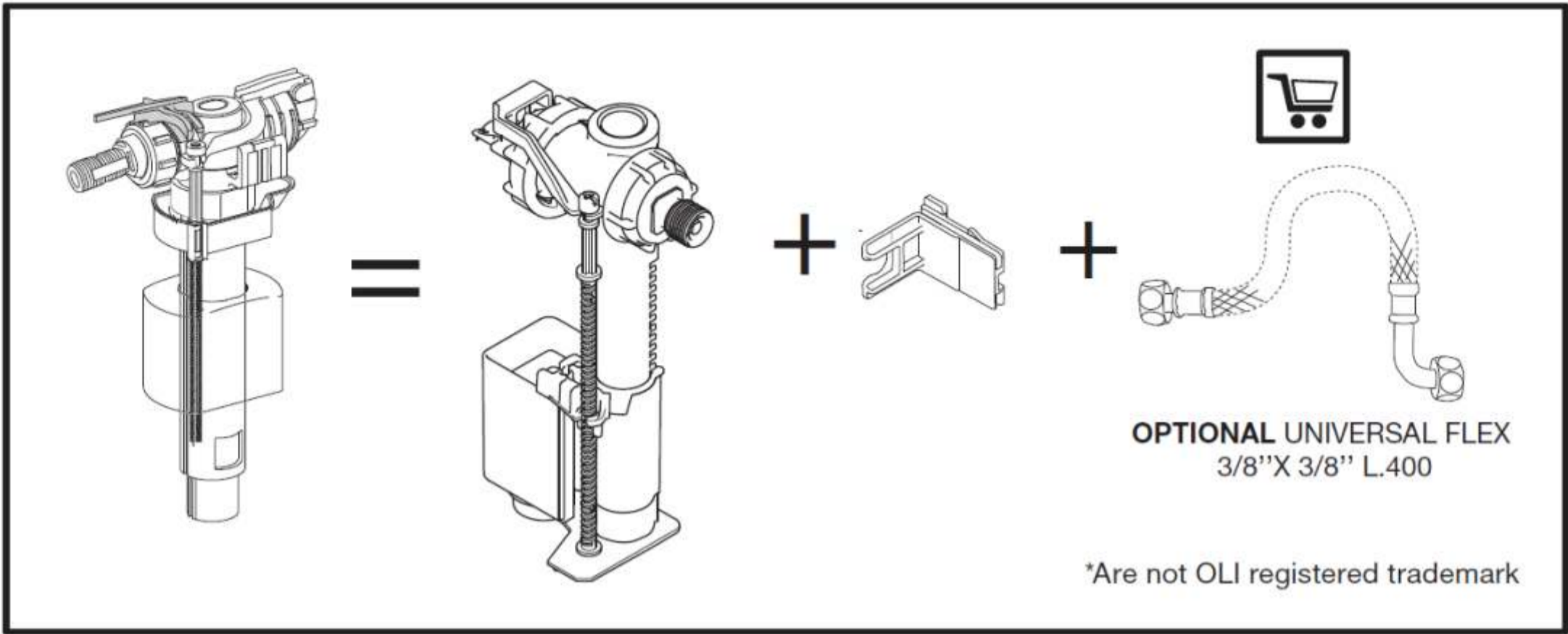


2

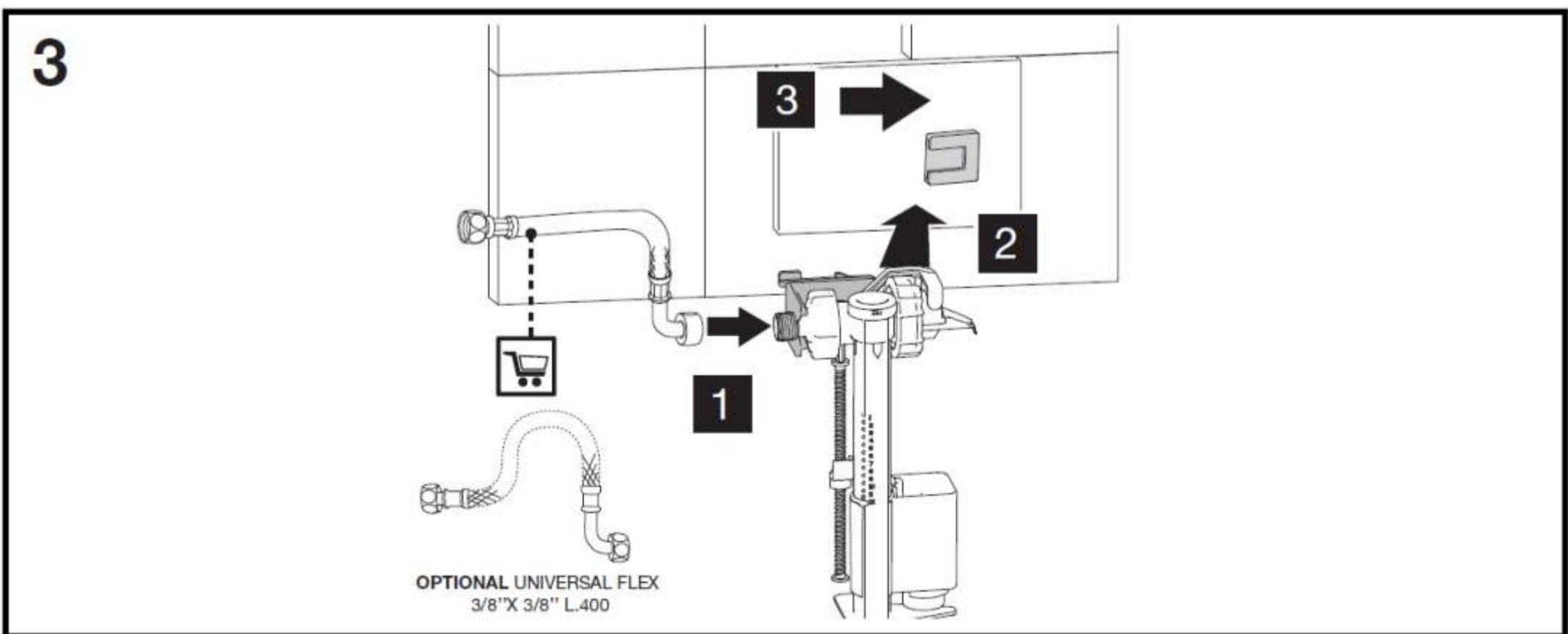
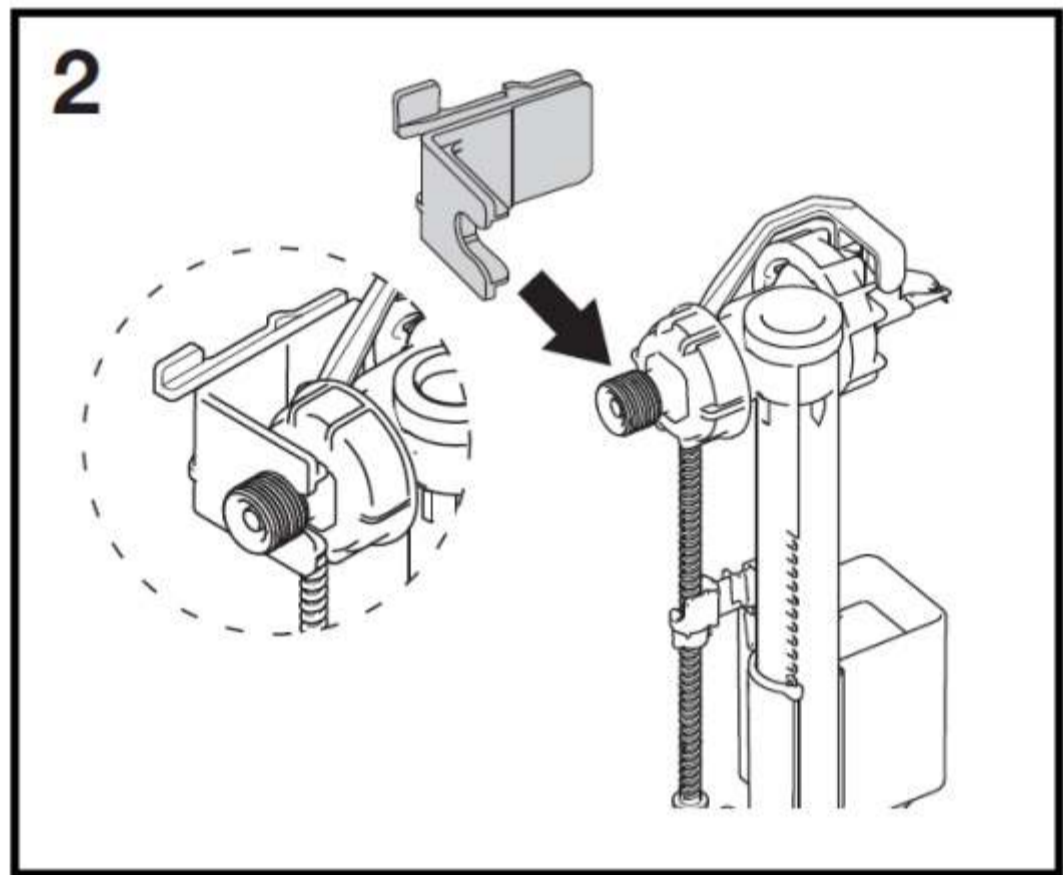
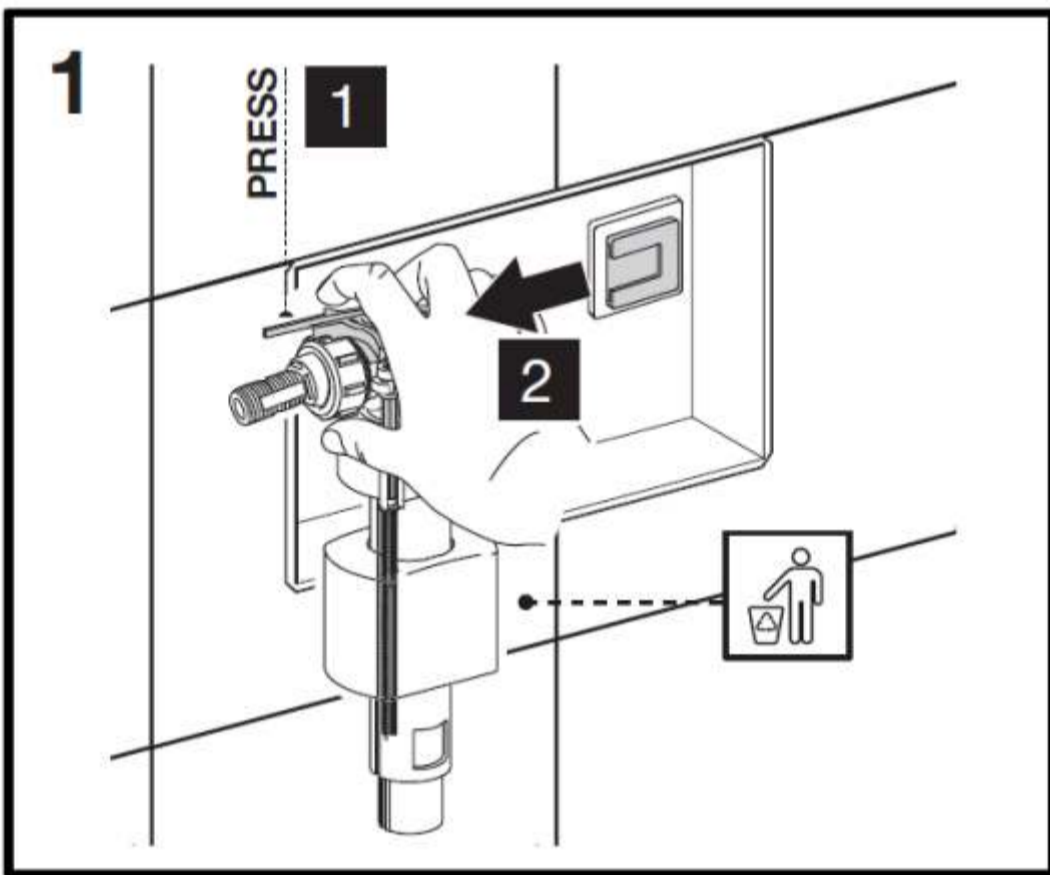


3

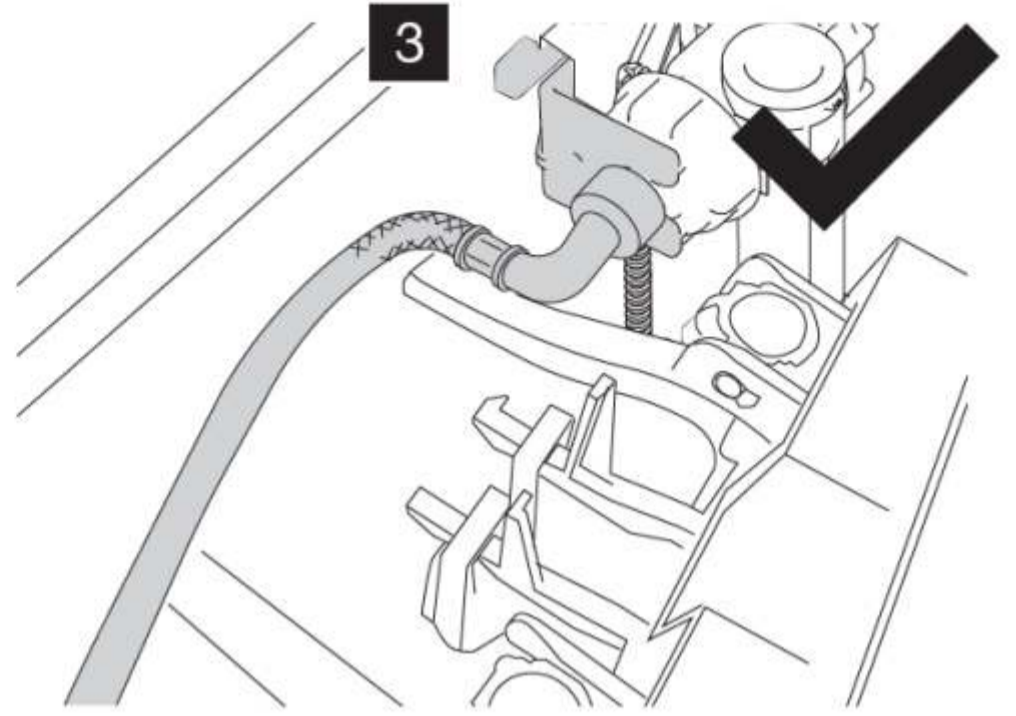
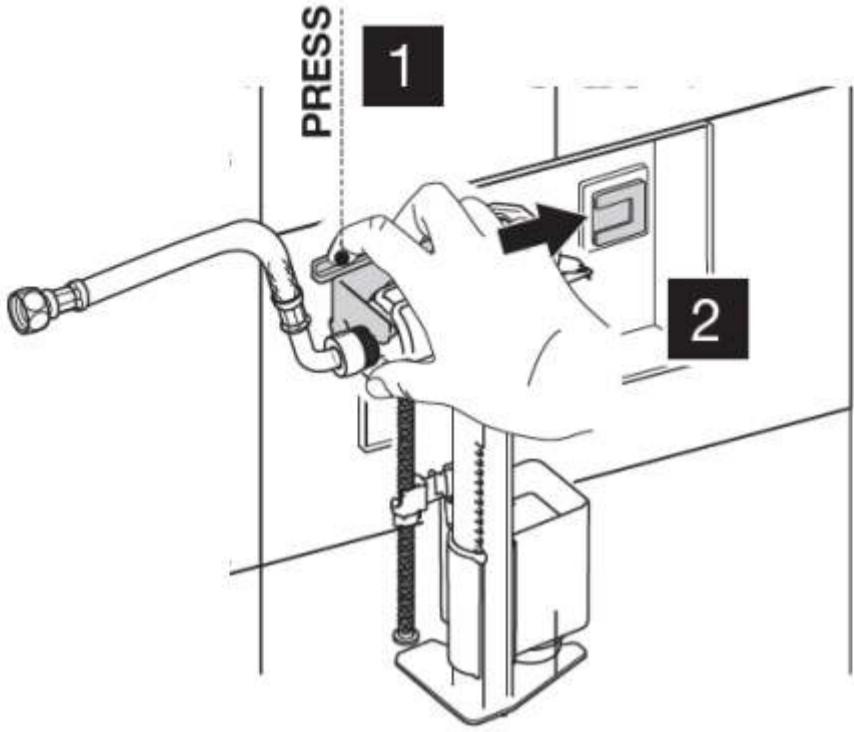




*Are not OLI registered trademark

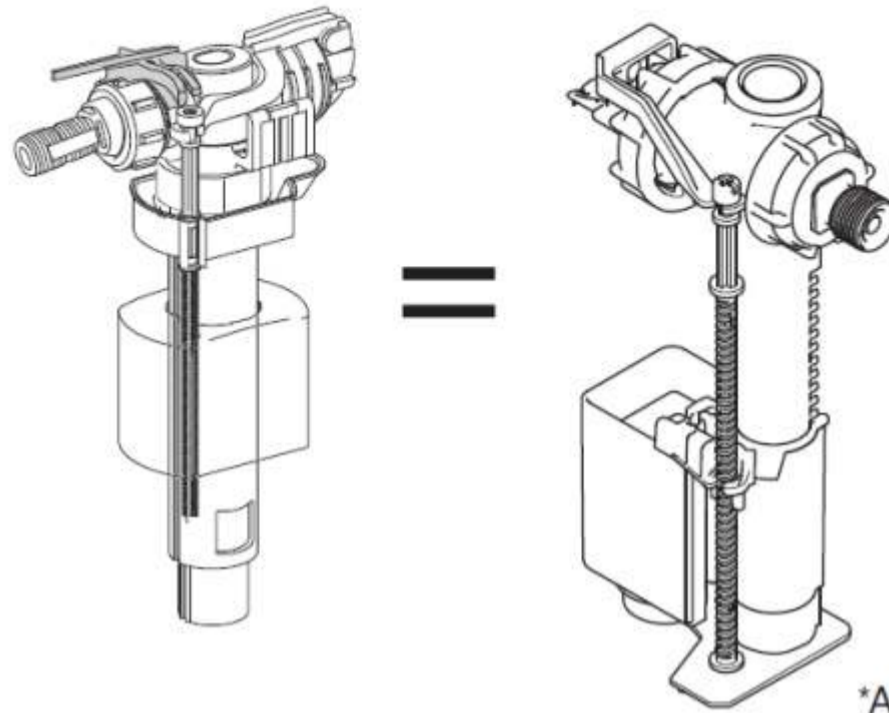


4



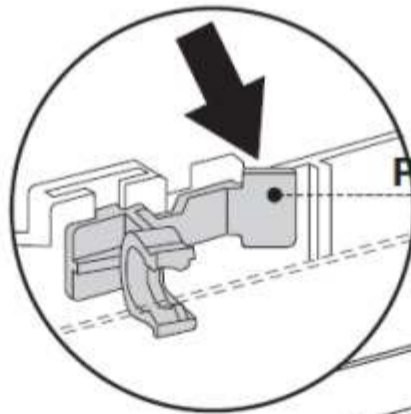


*GEBERIT® MONOLITH | MONOLITH PLUS

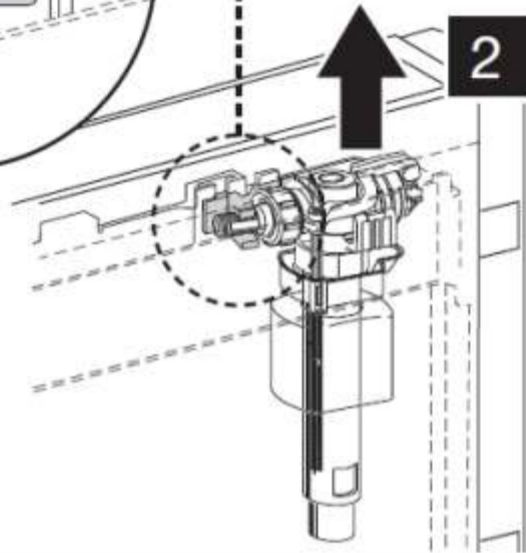


*Are not OLI registered trademark

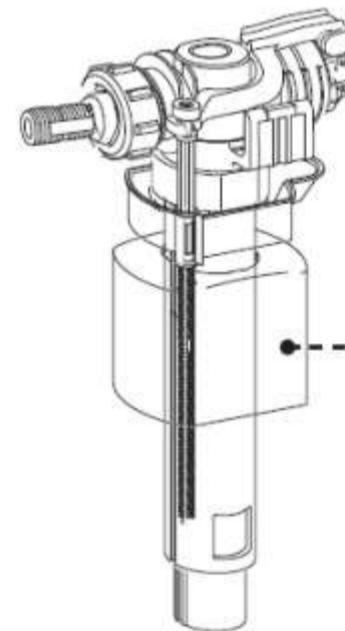
1



1
PRESS



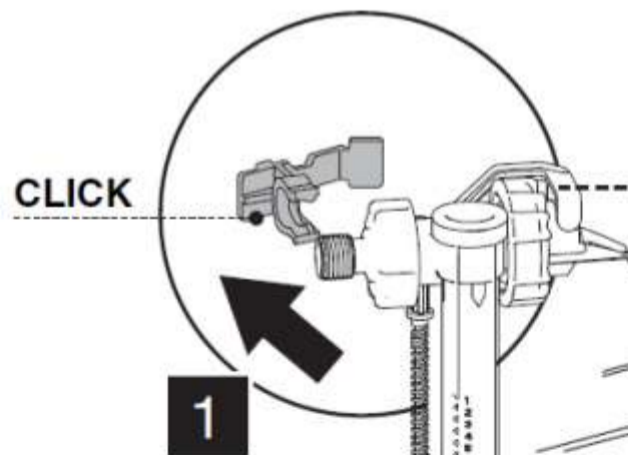
2



3

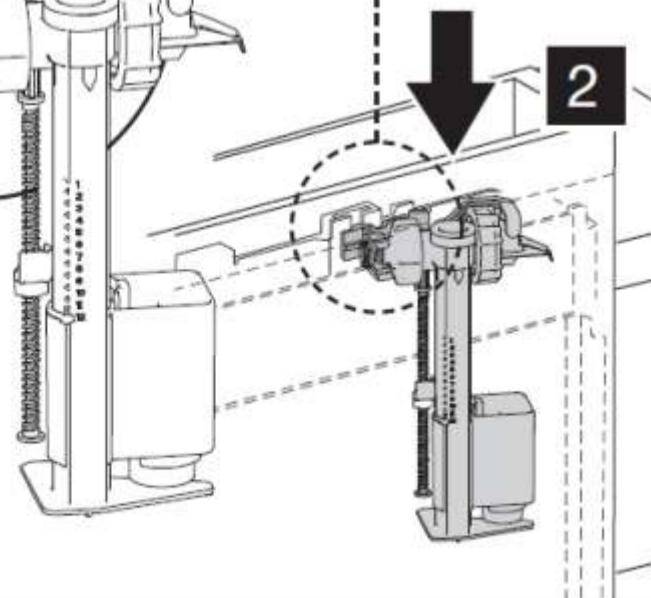


2



CLICK

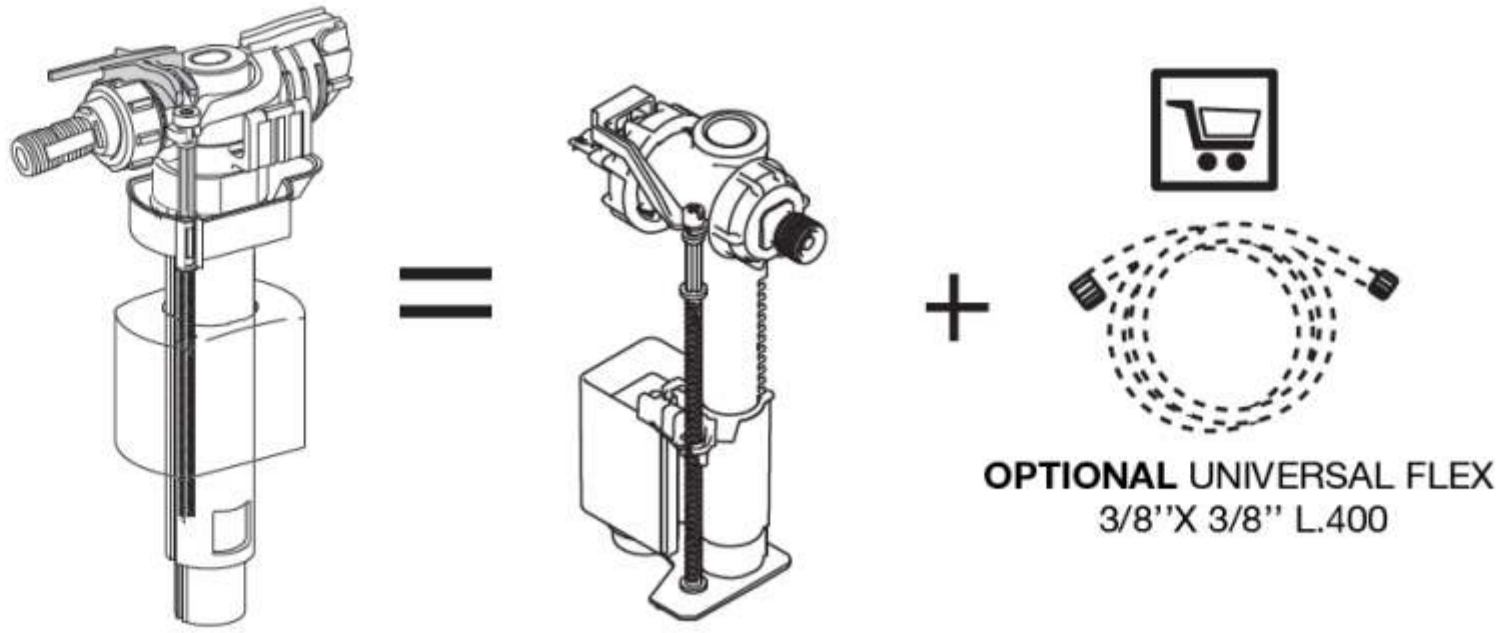
1



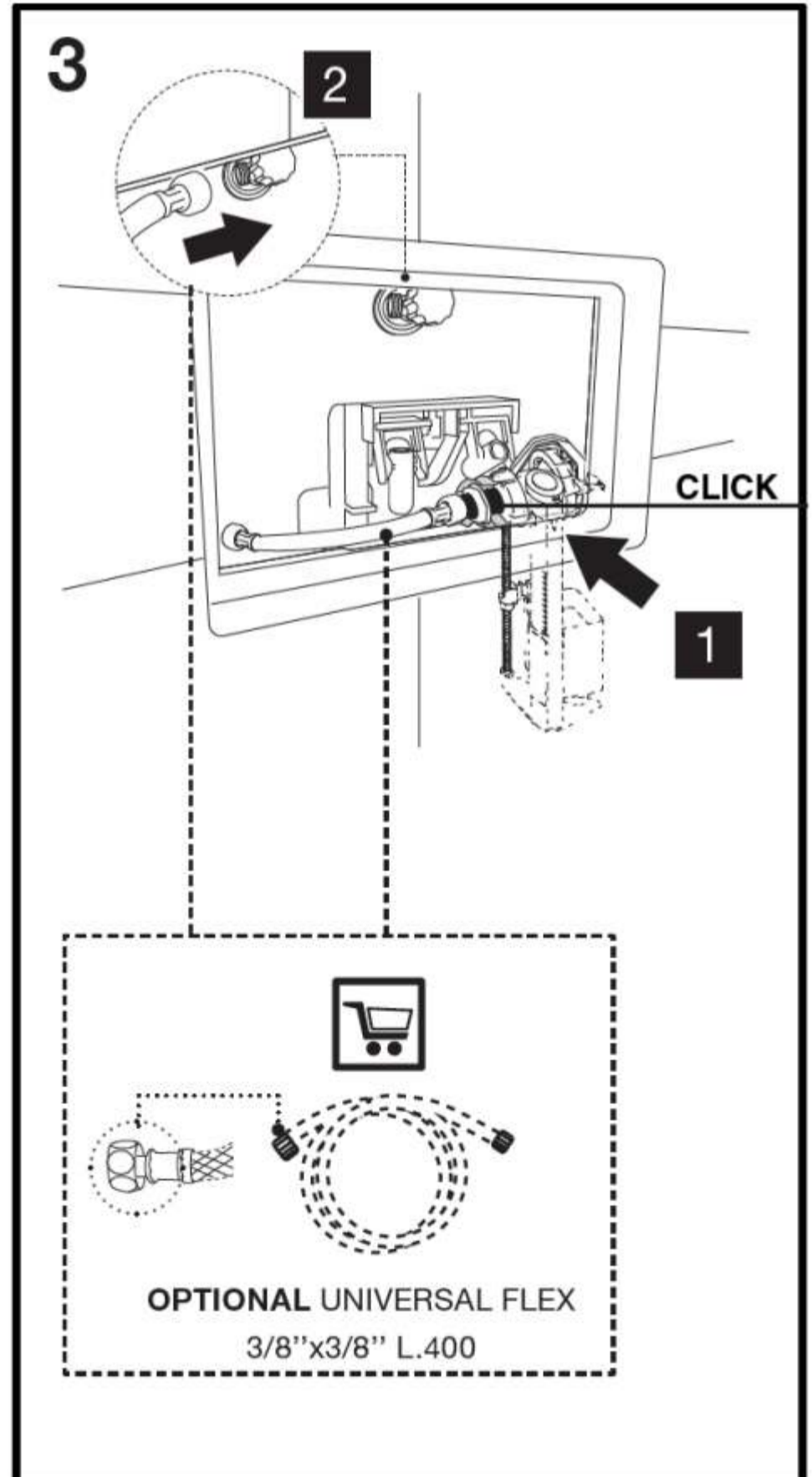
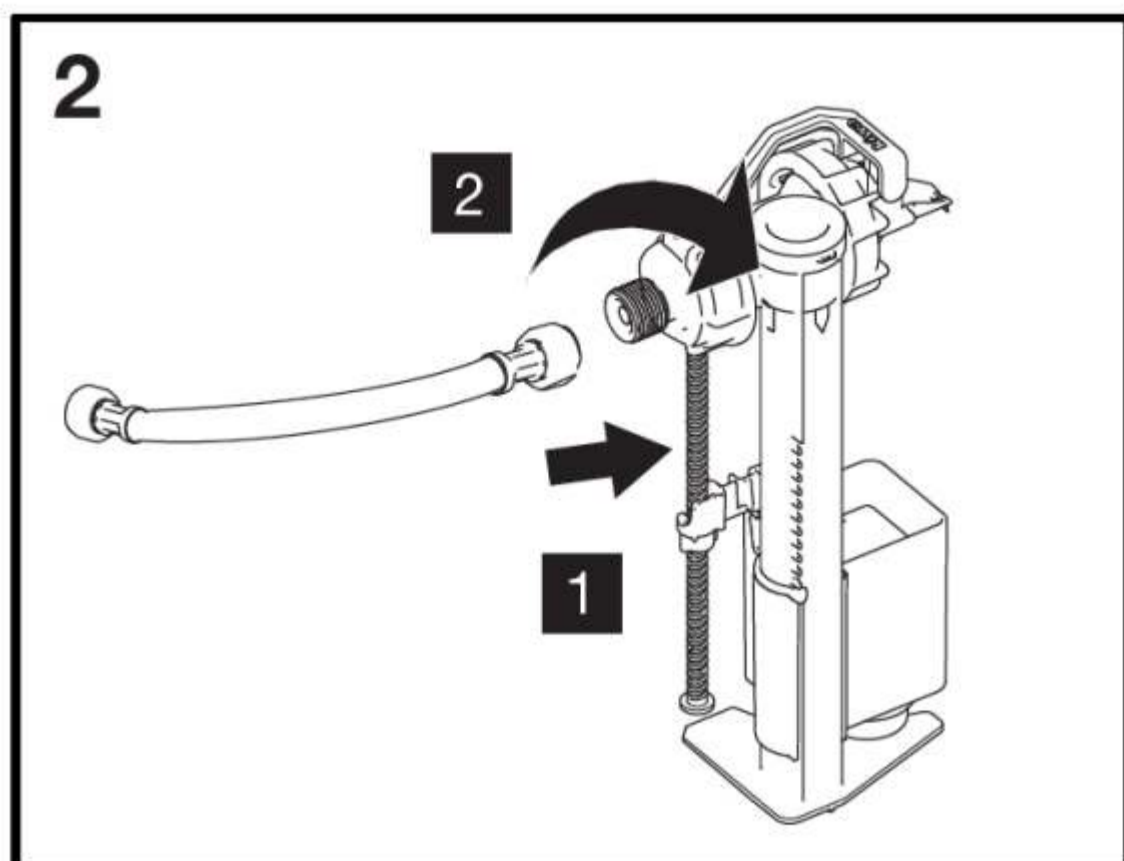
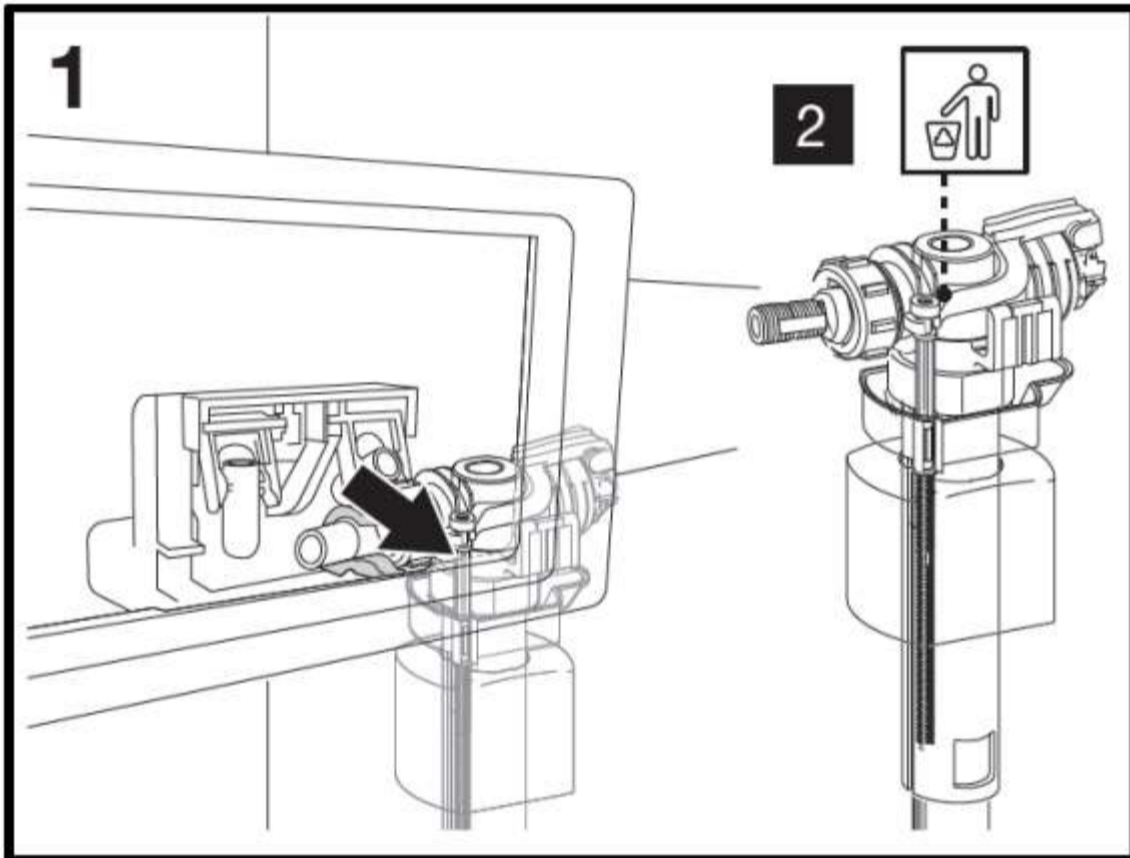
2

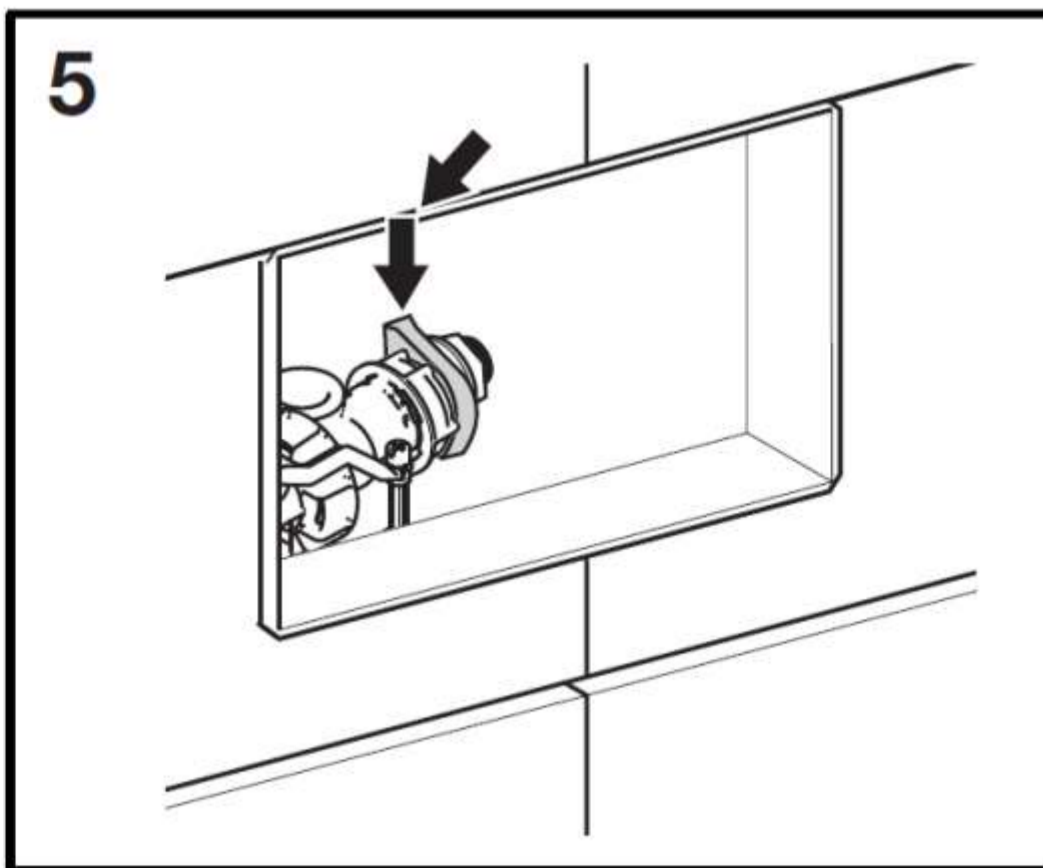
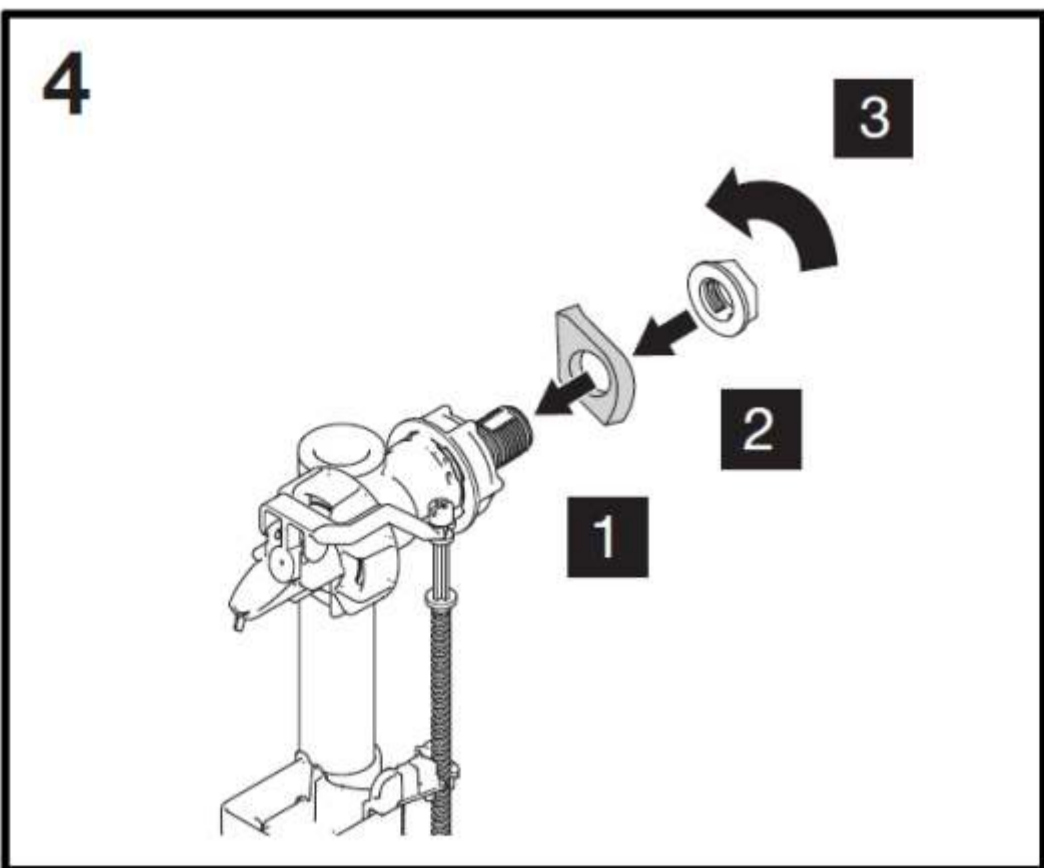
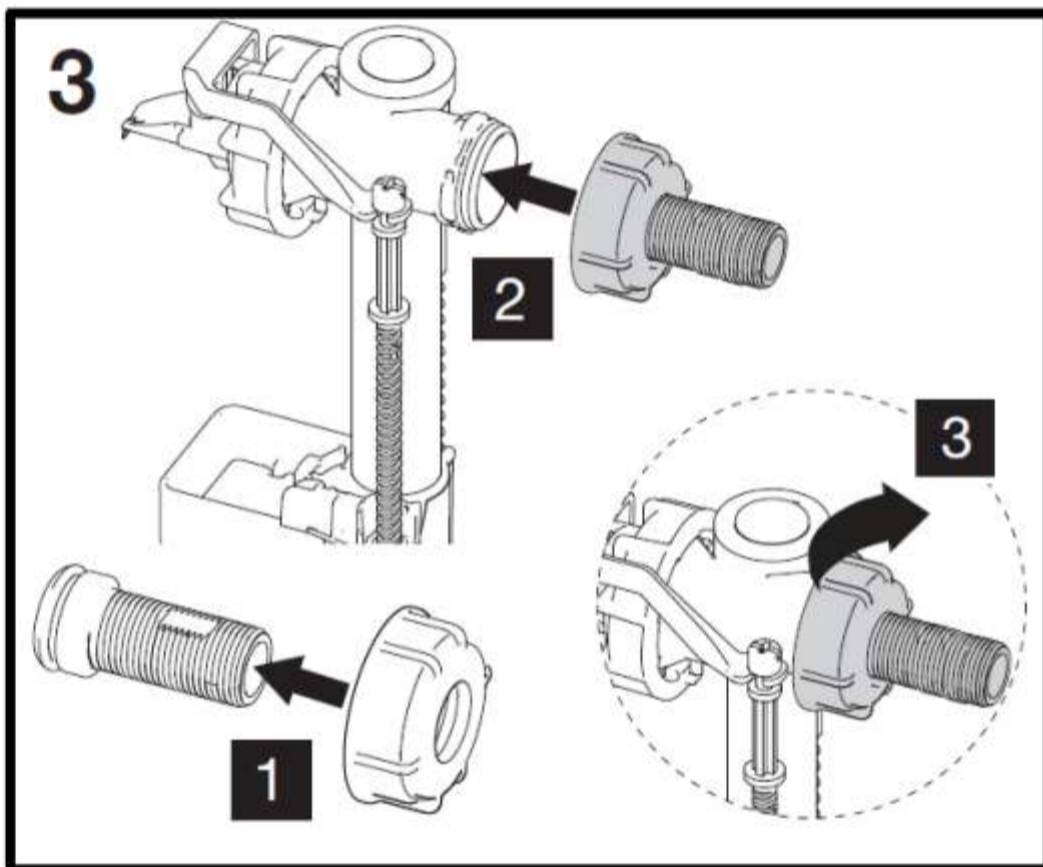
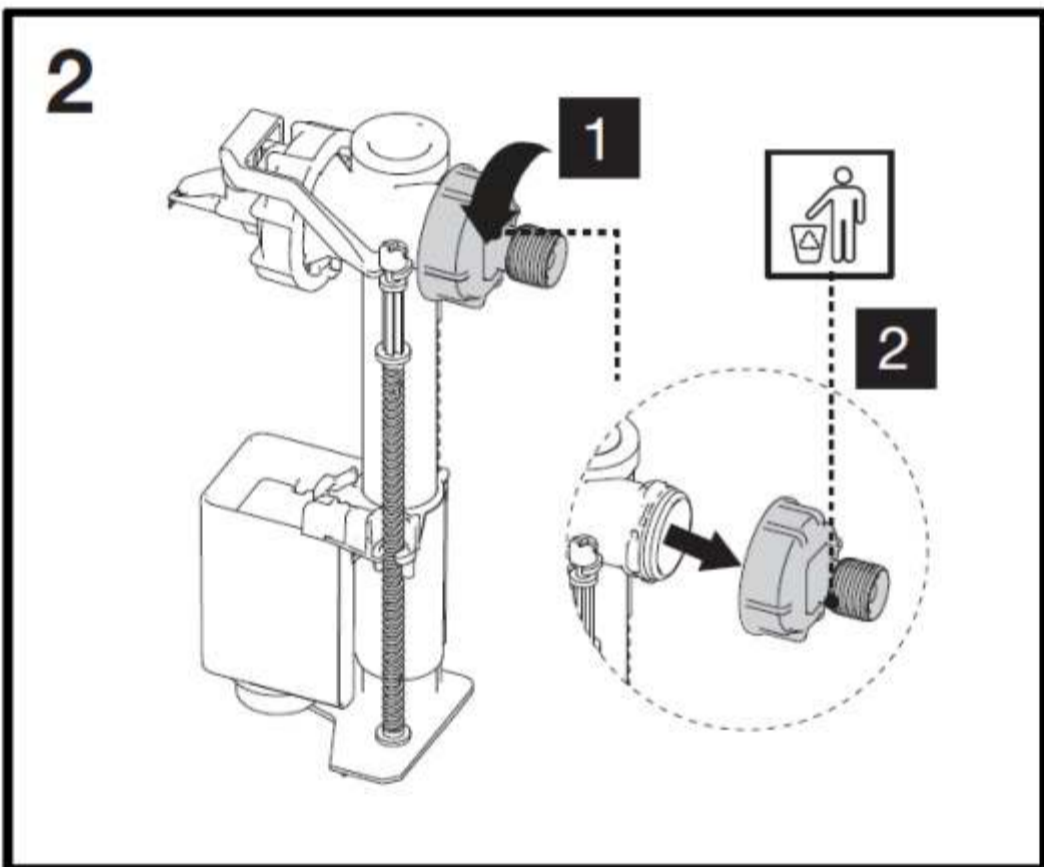
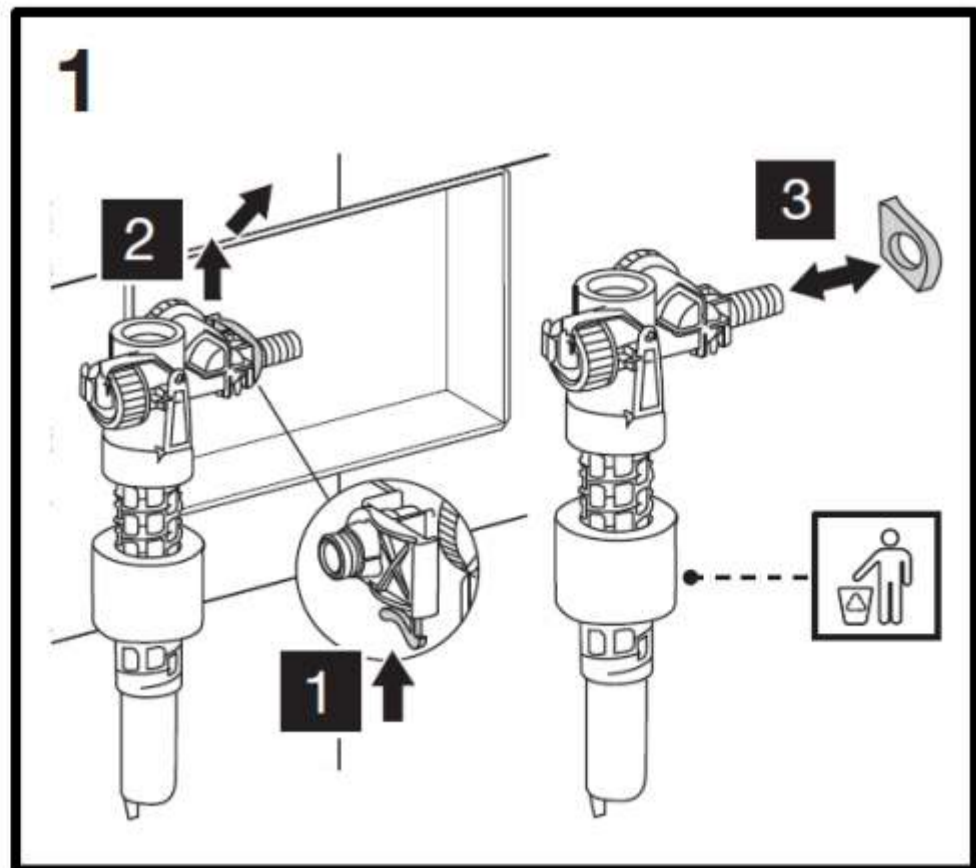
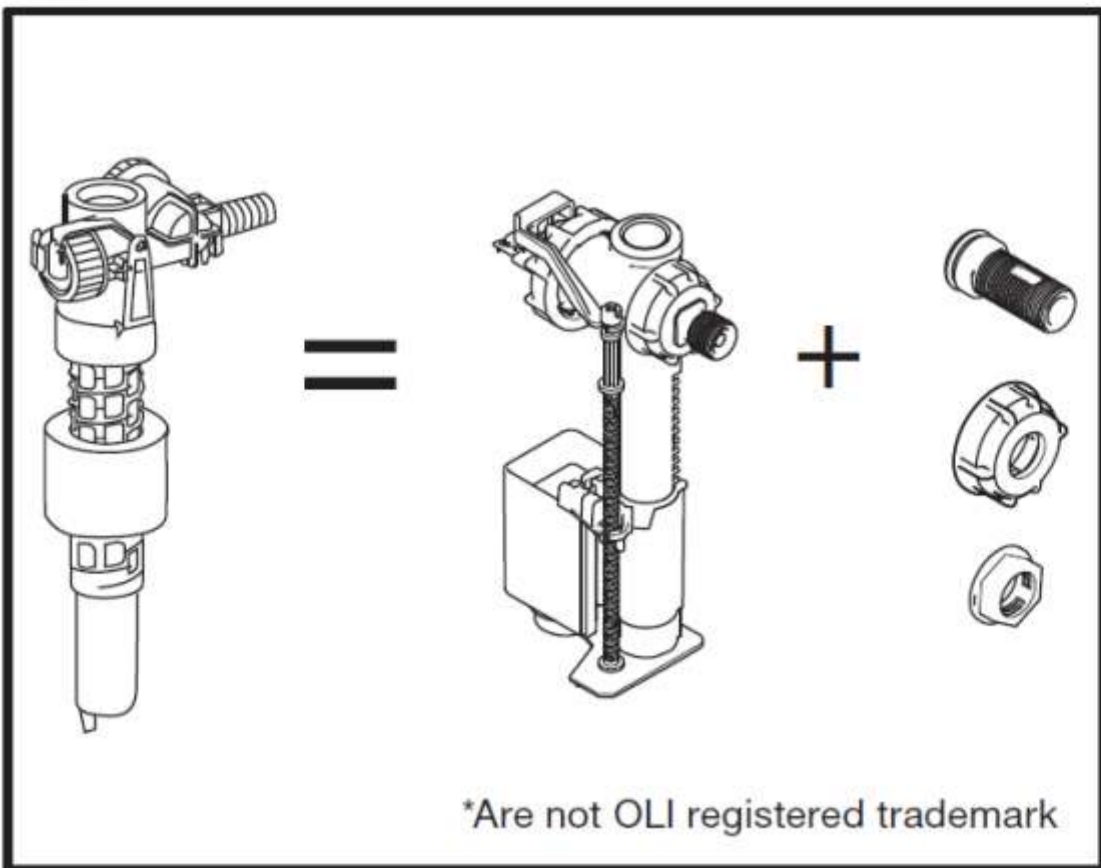


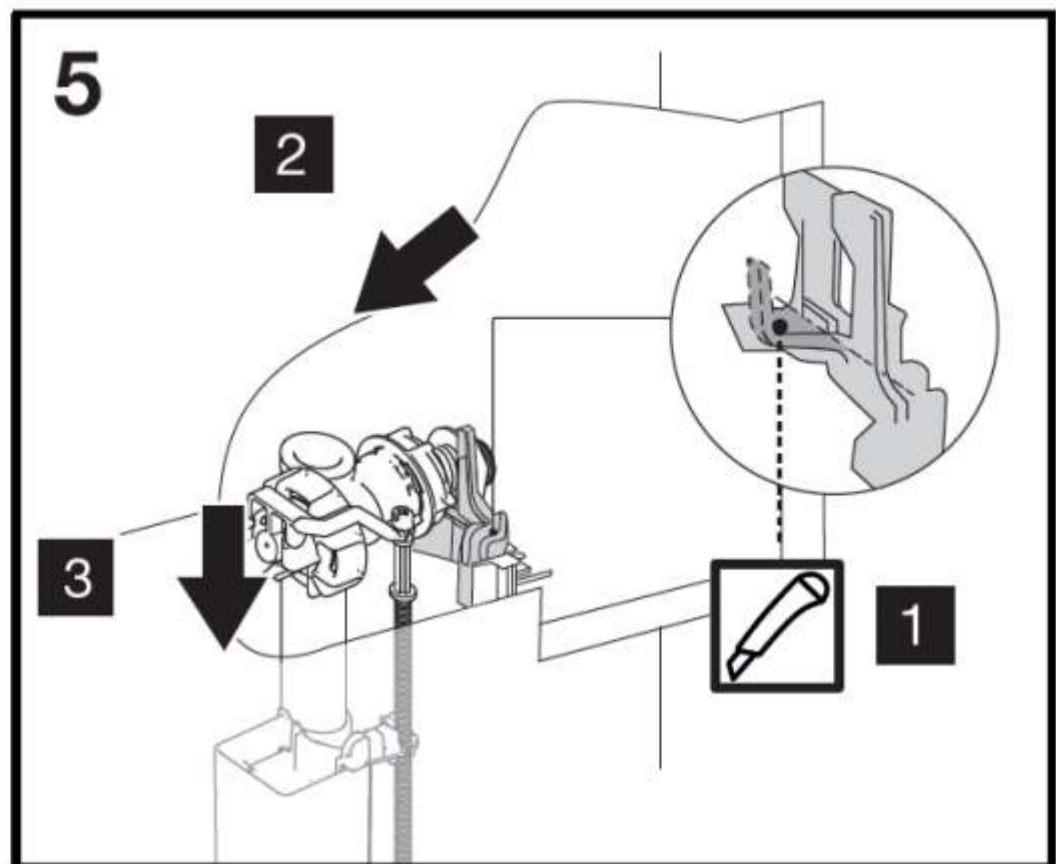
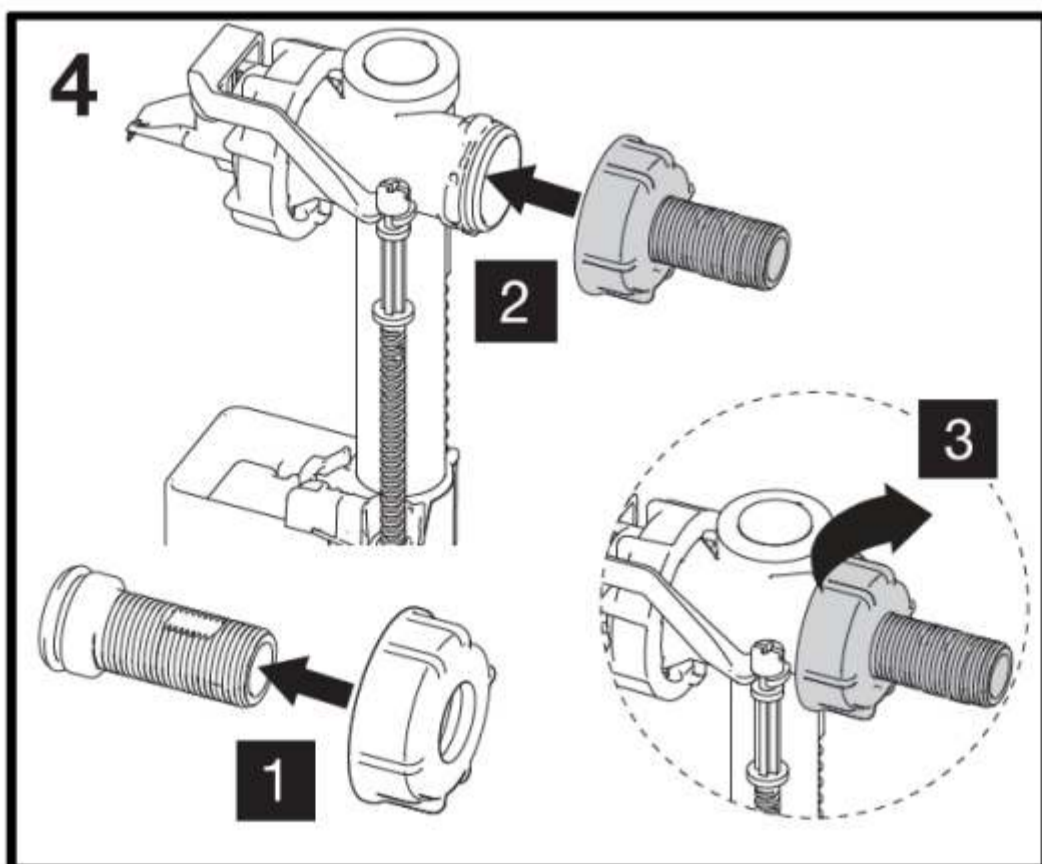
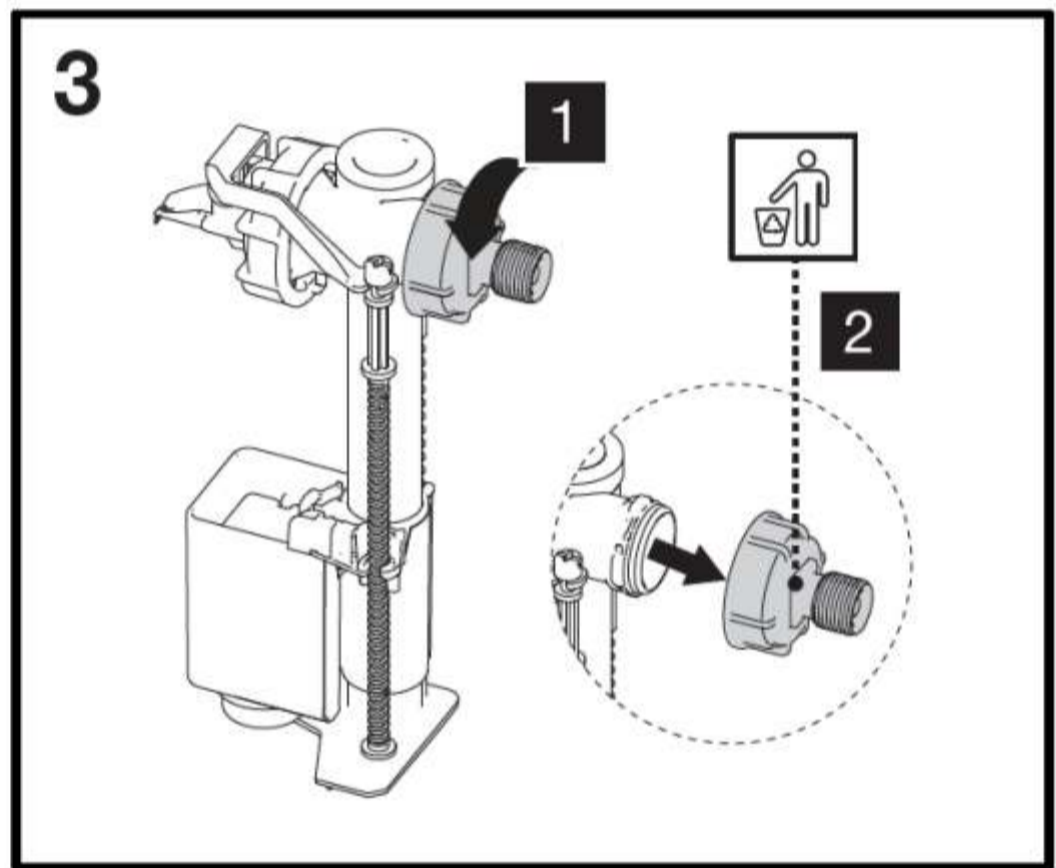
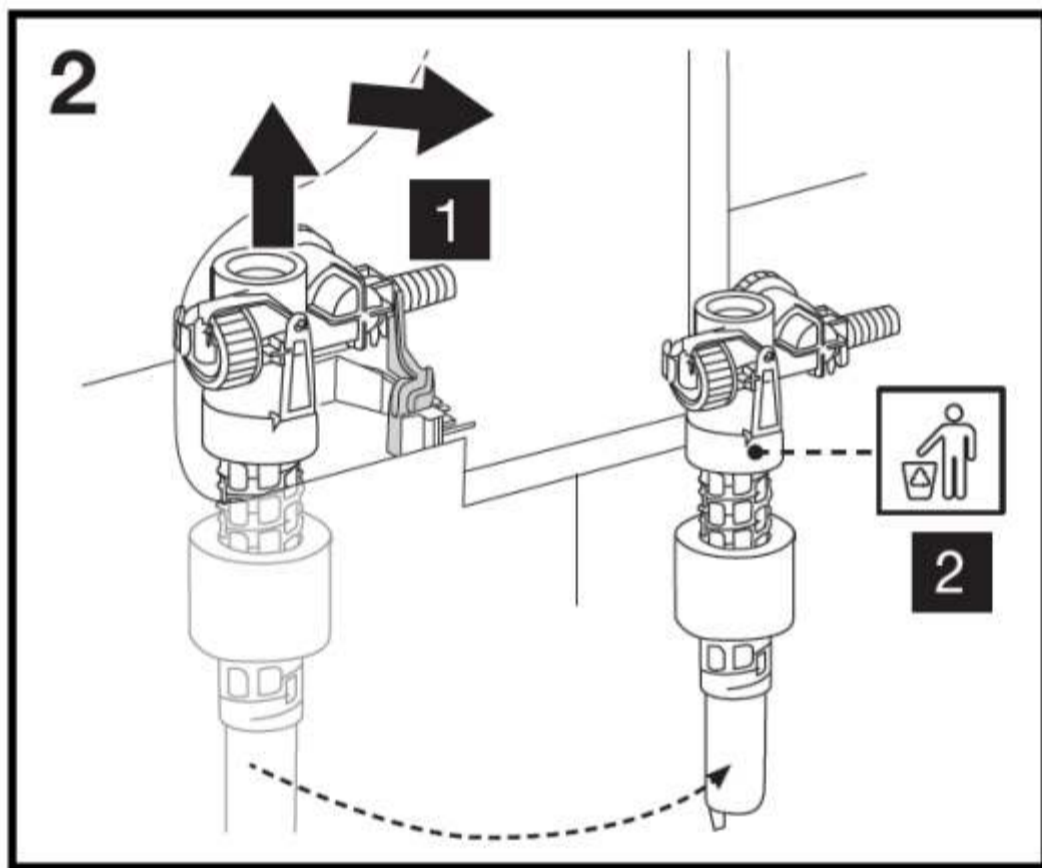
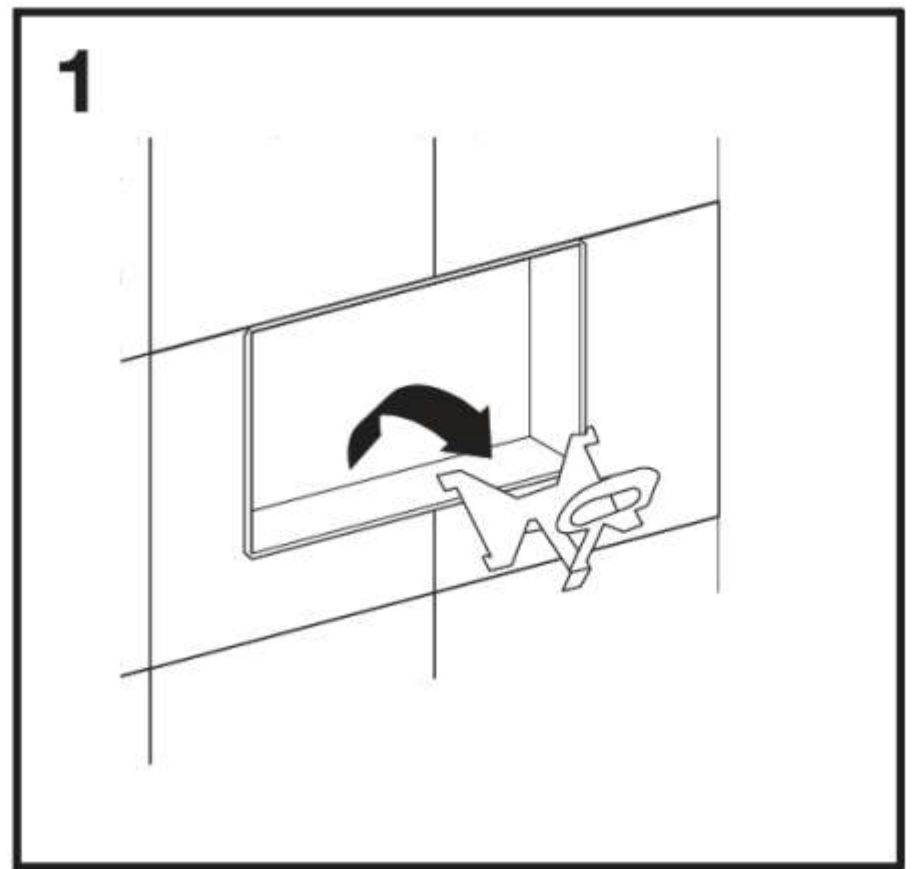
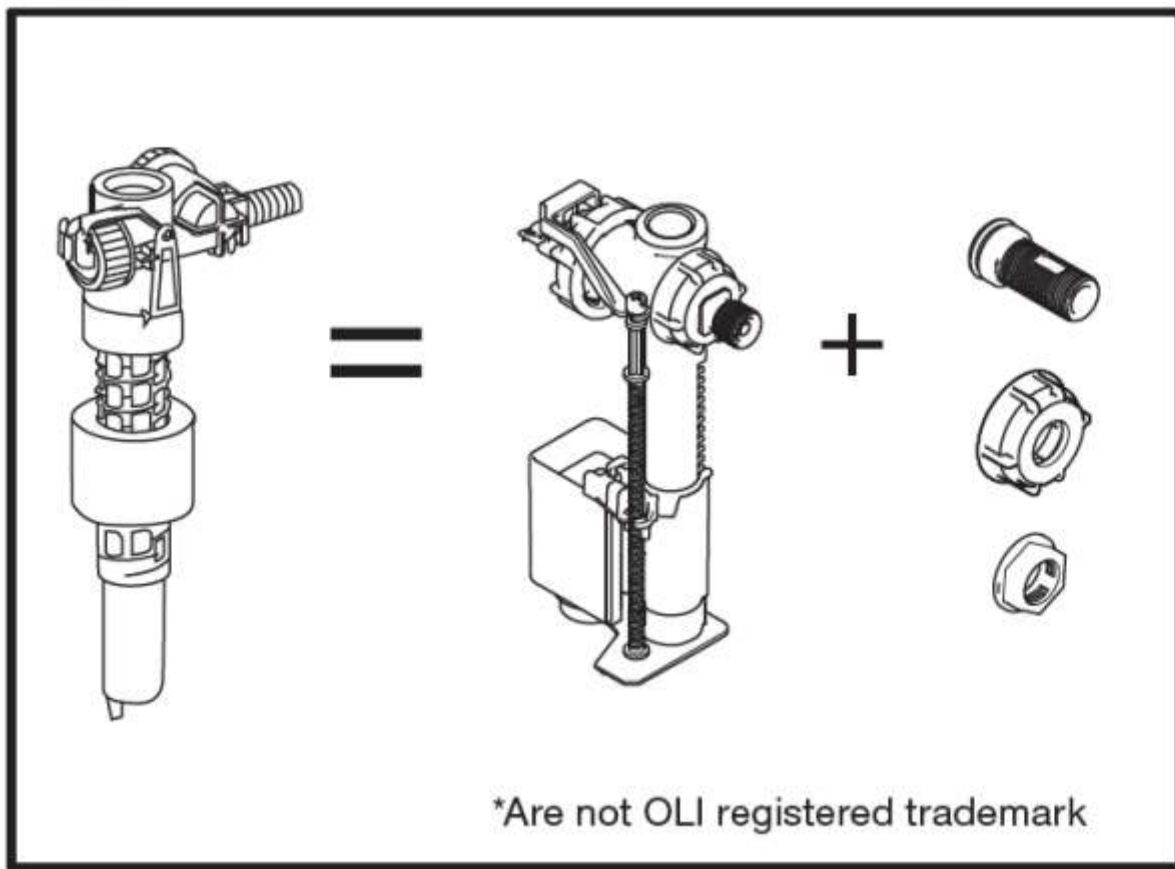
*GEBERIT® DELTA12

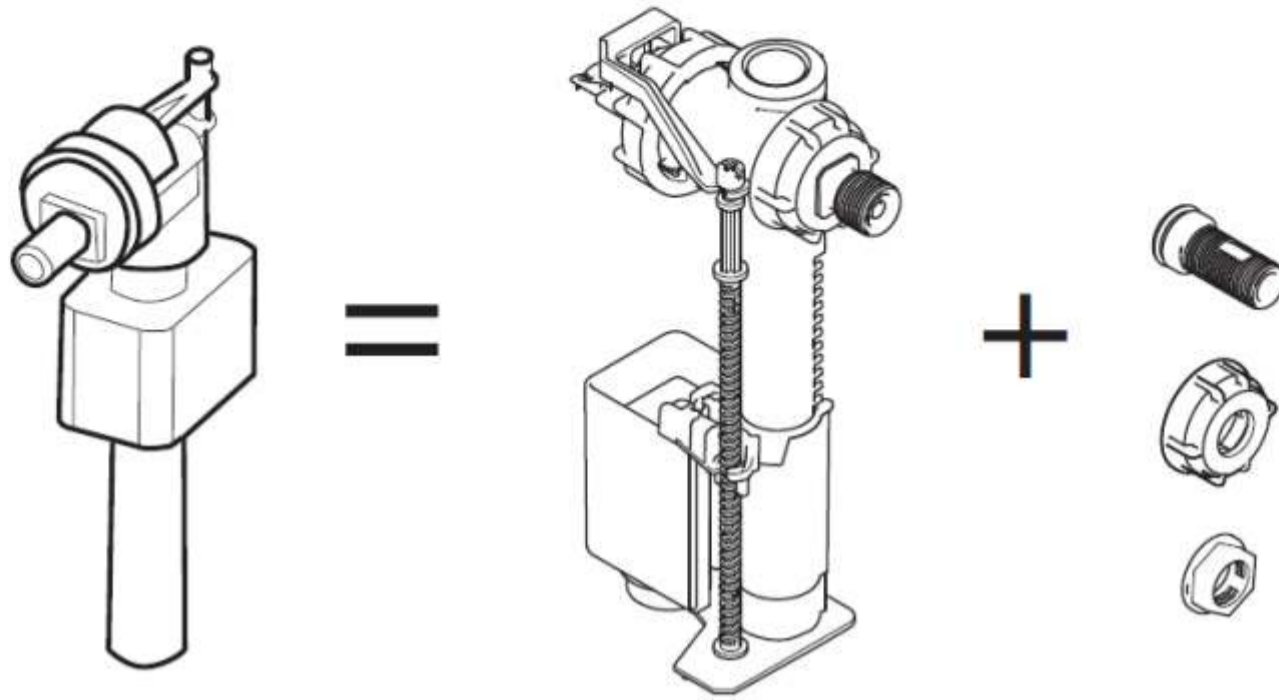


*Are not OLI registered trademark

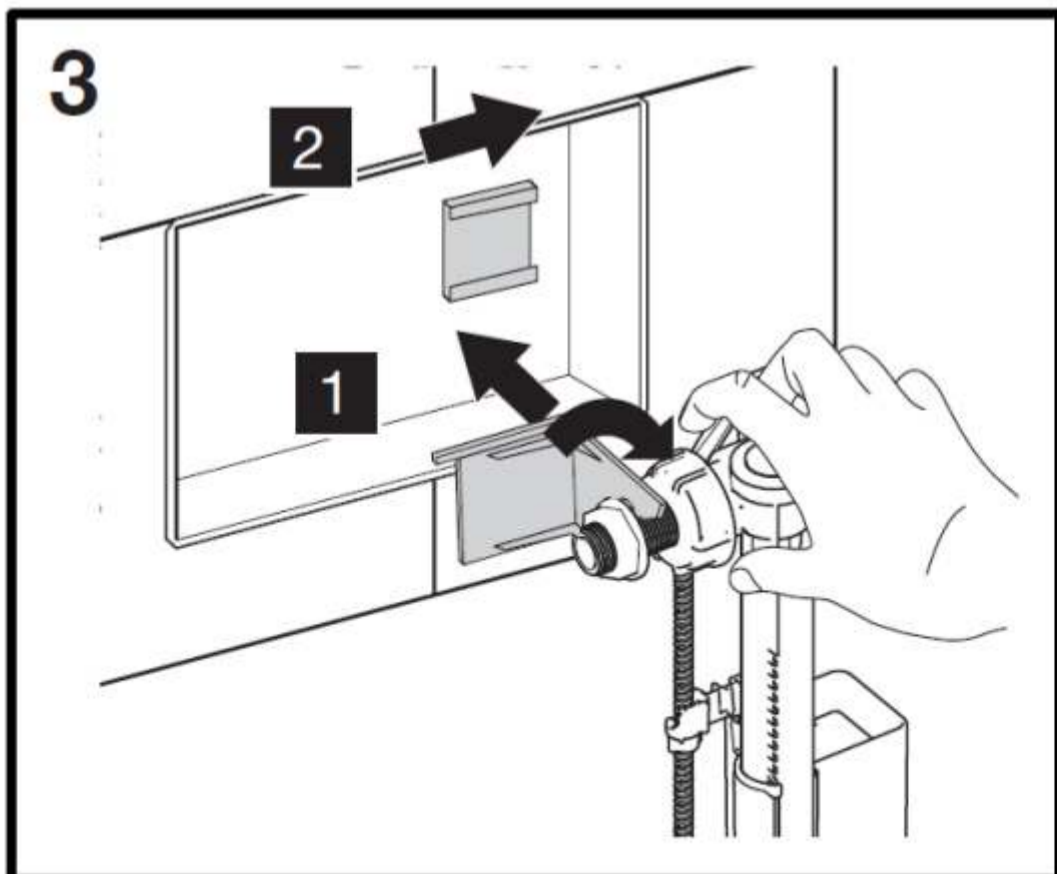
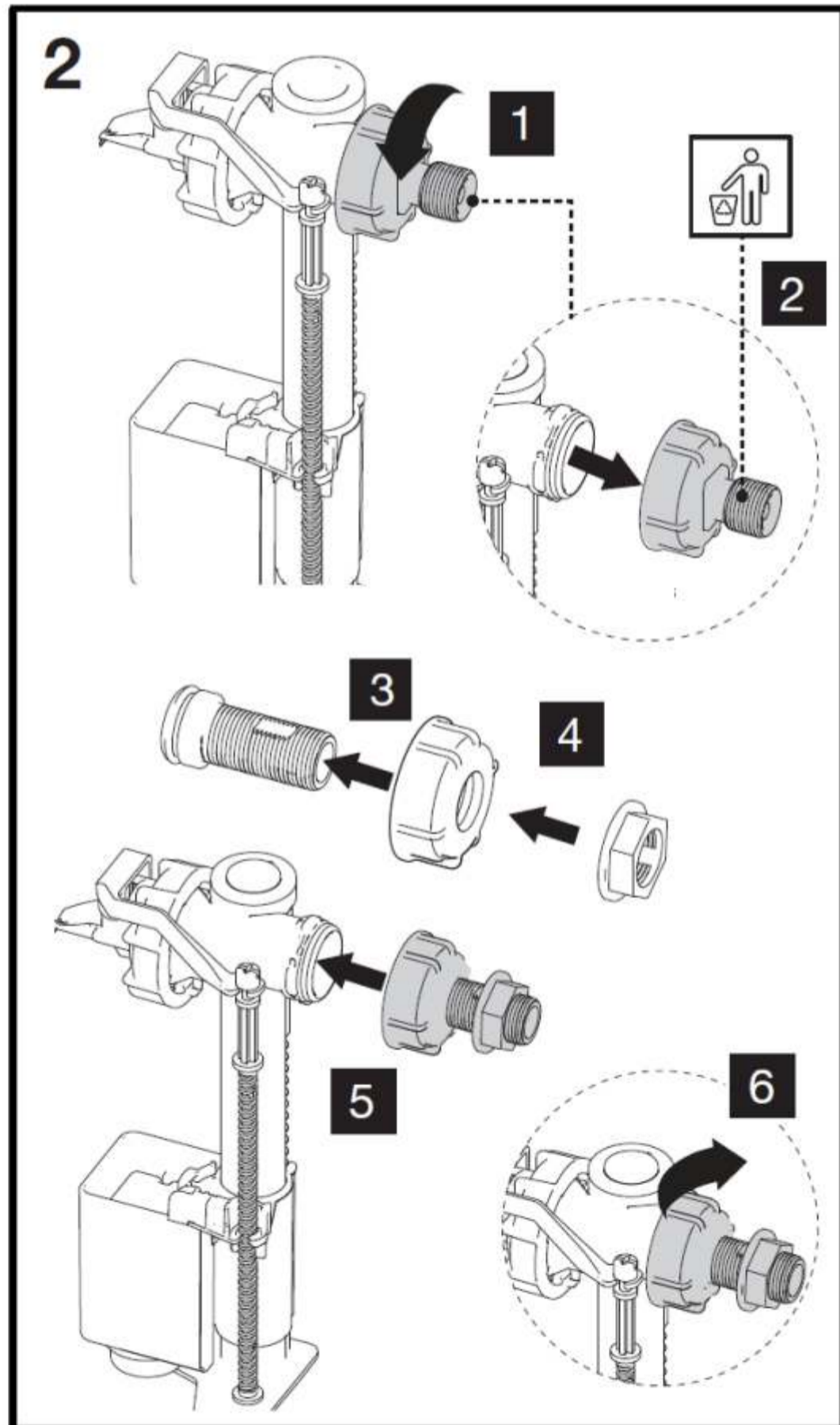
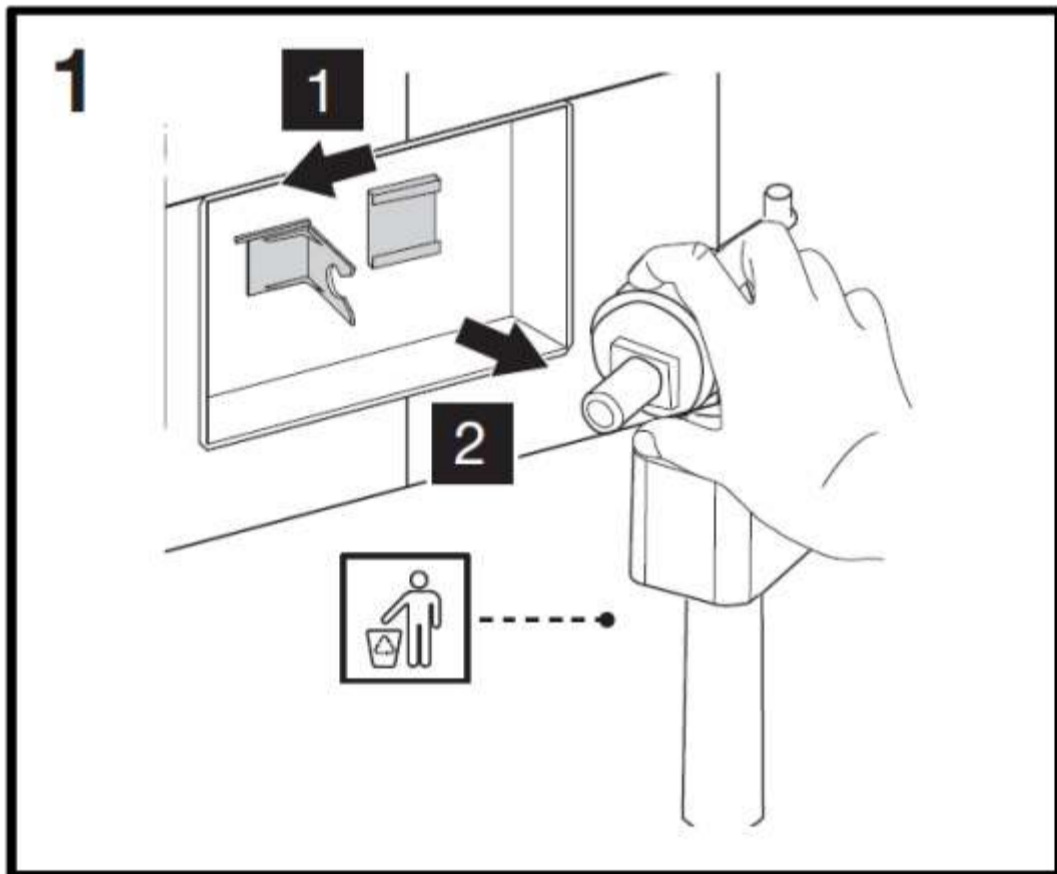






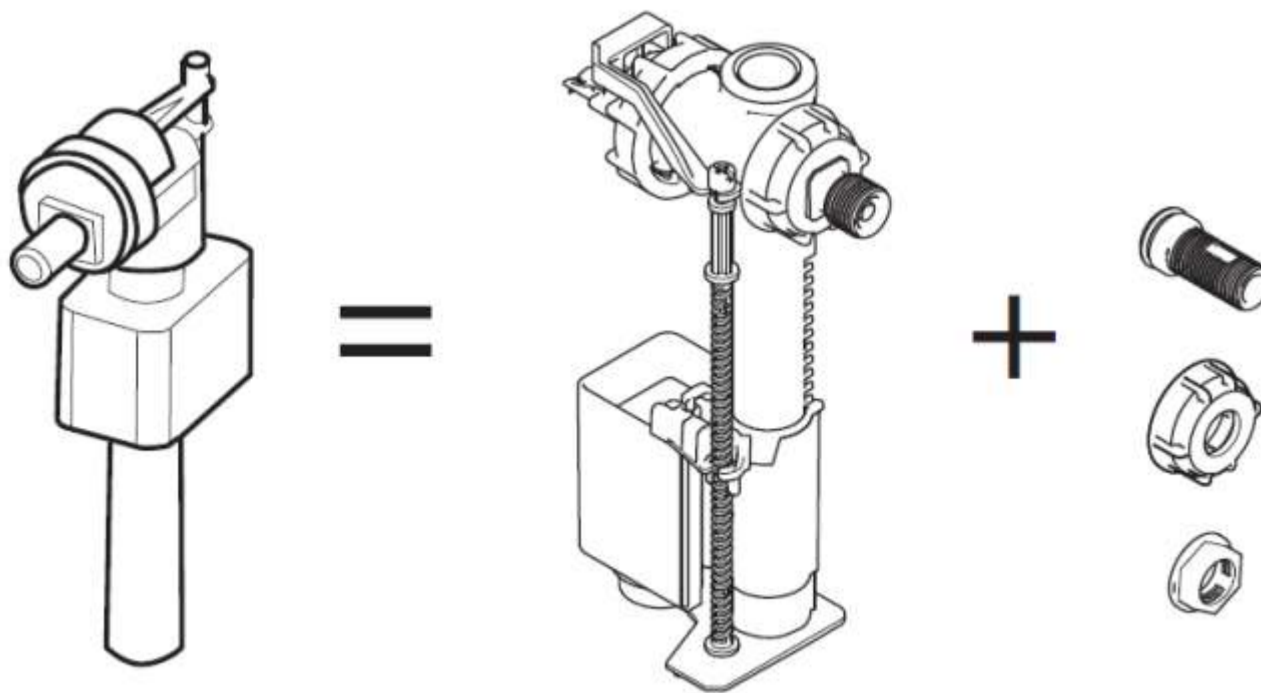


*Are not OLI registered trademark

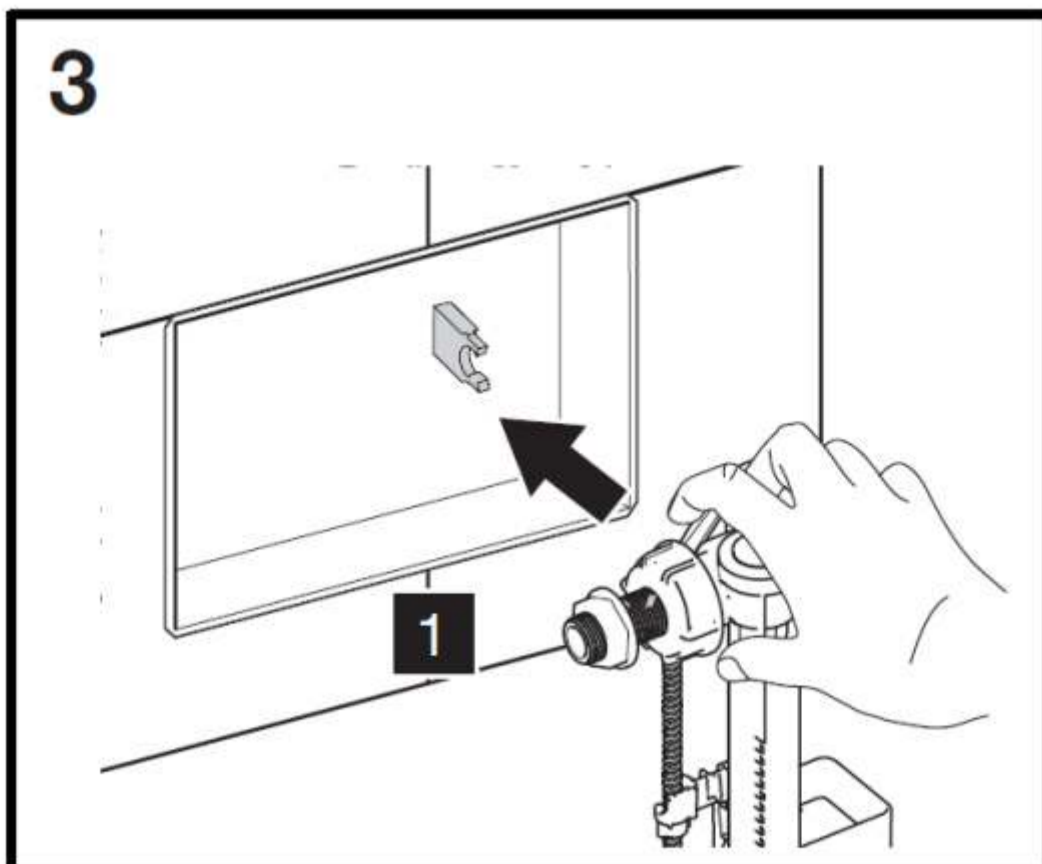
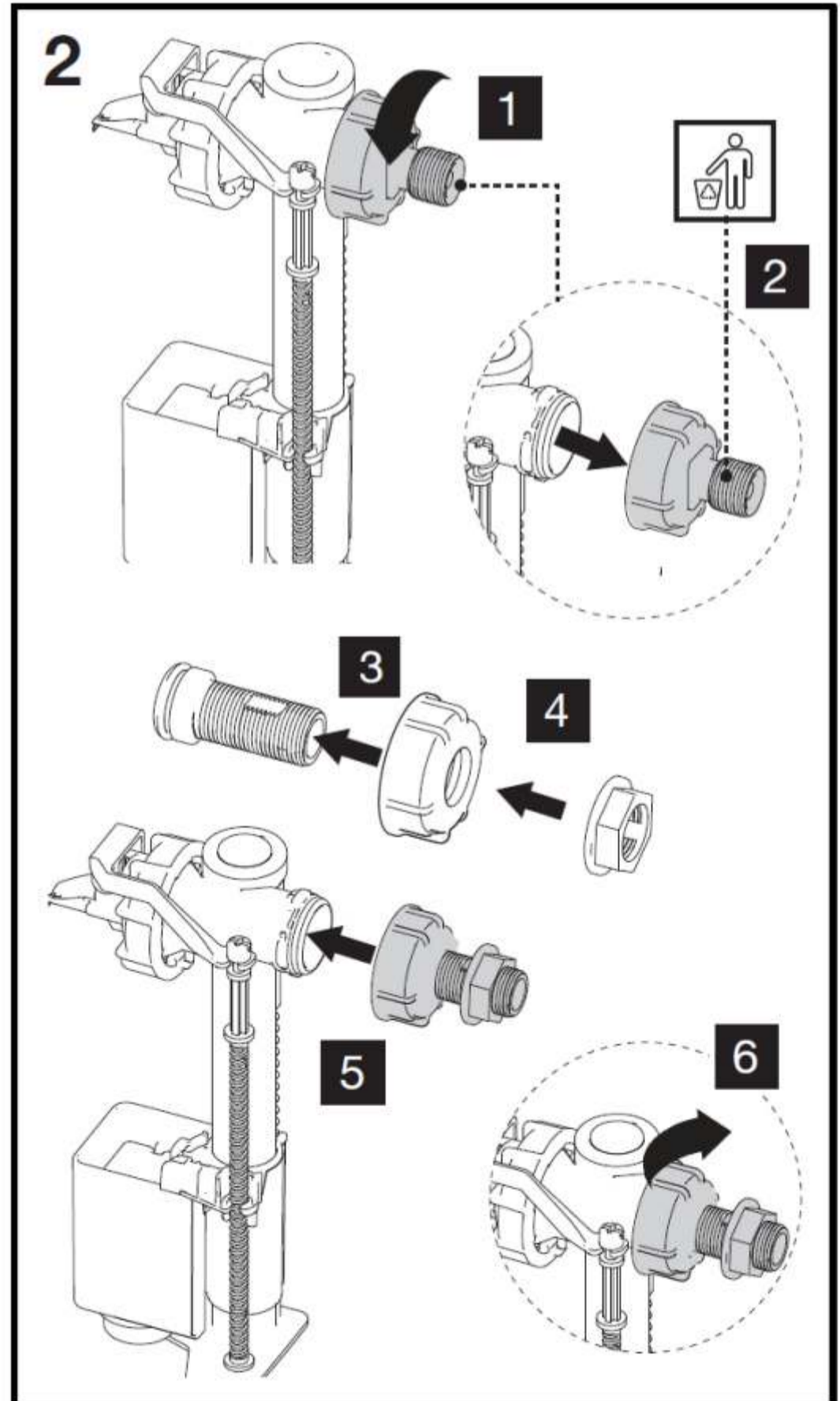
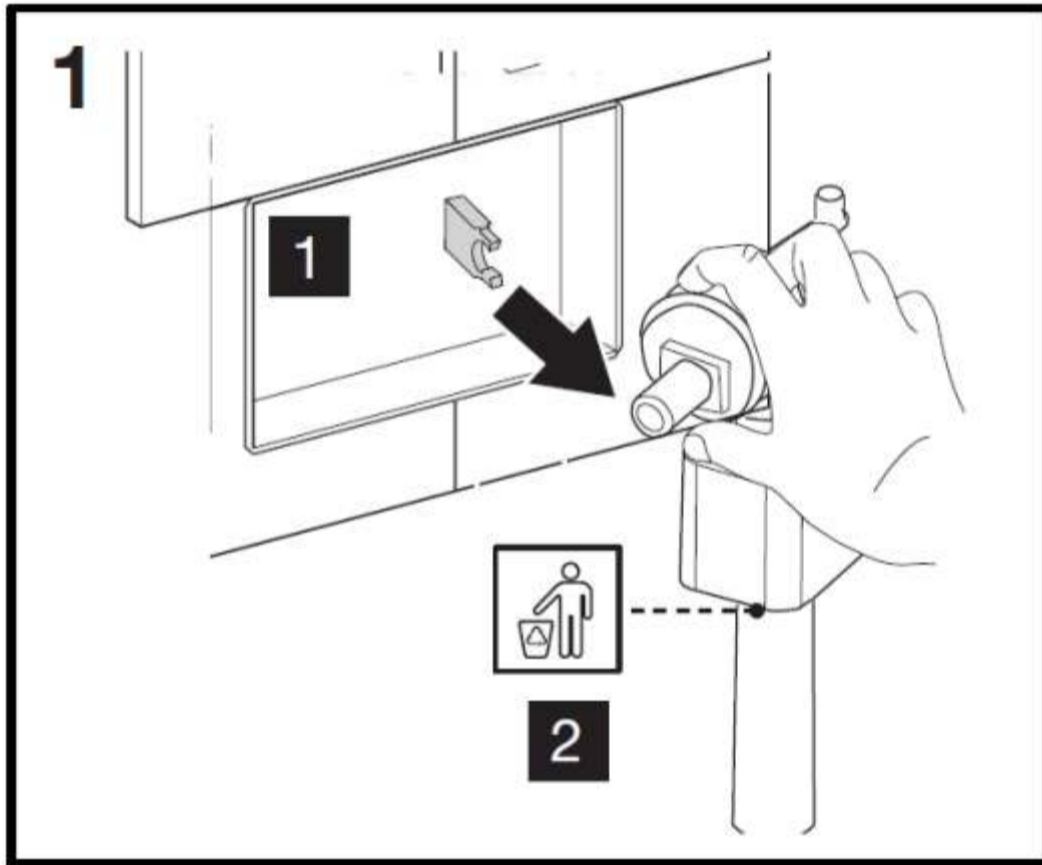


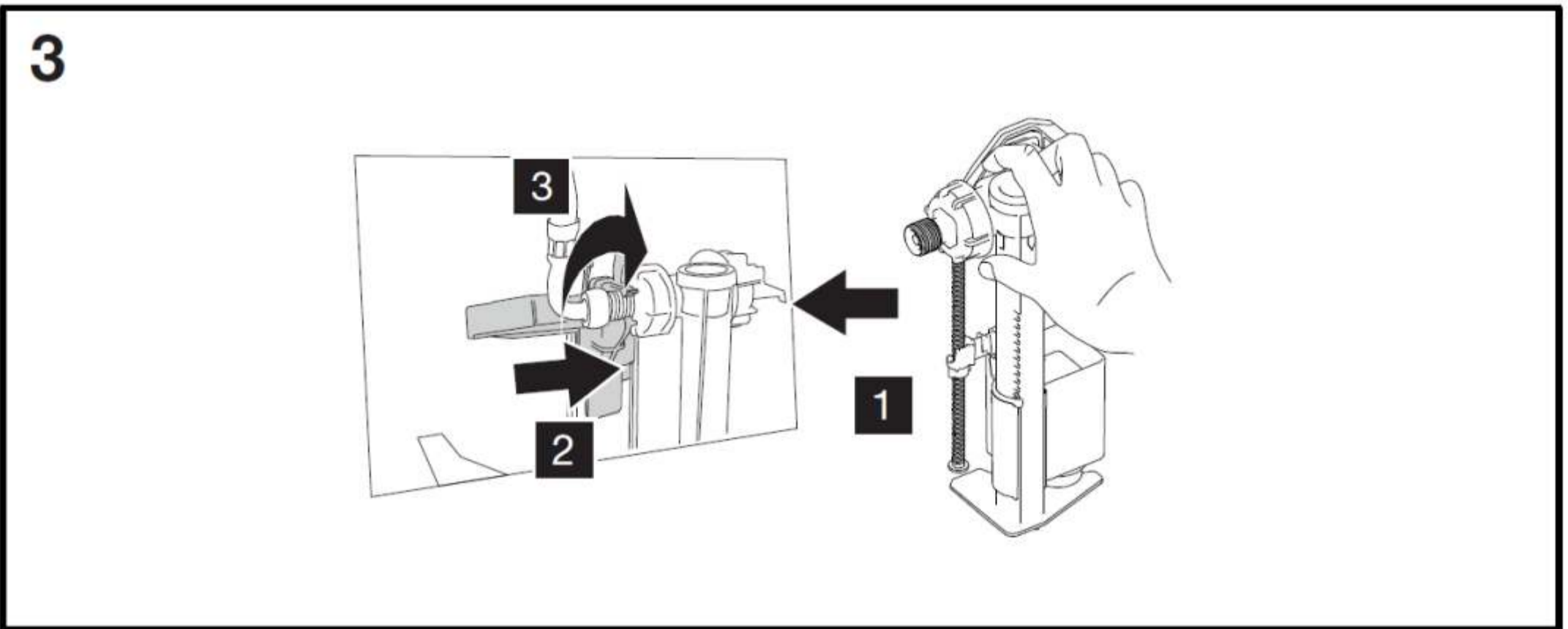
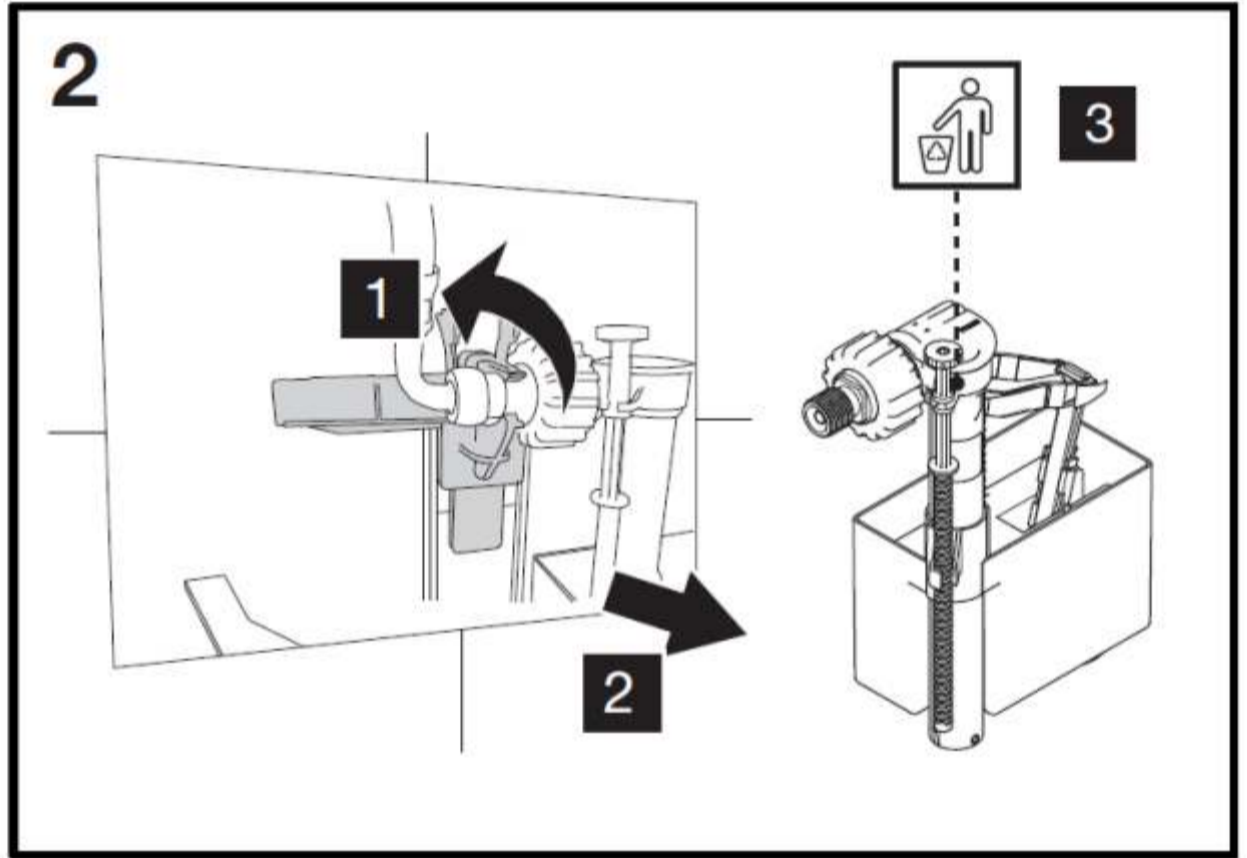
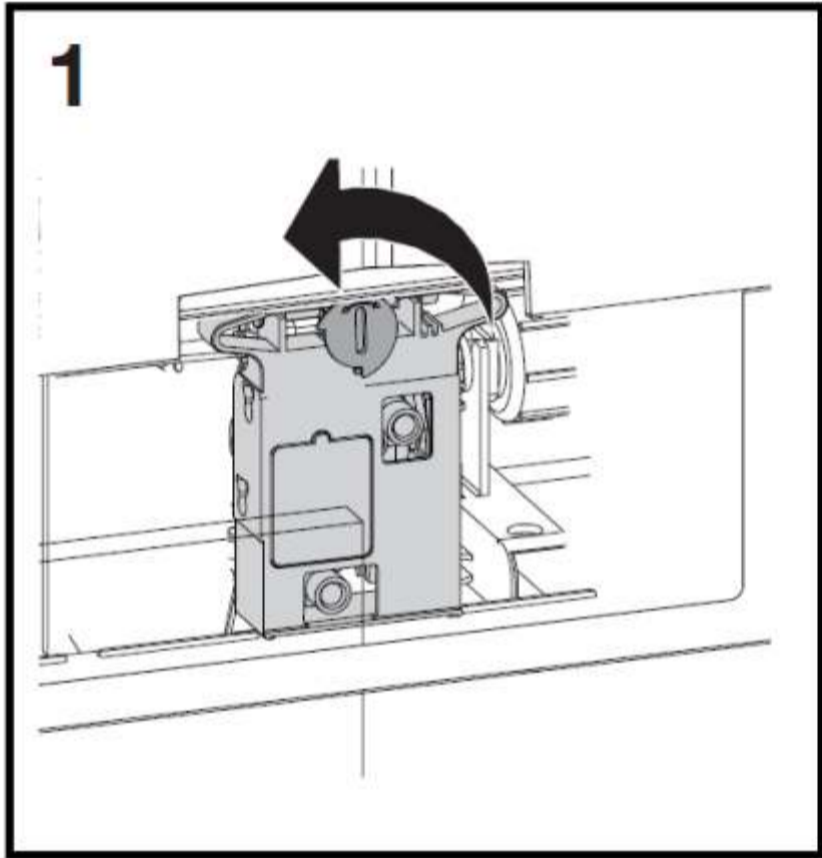
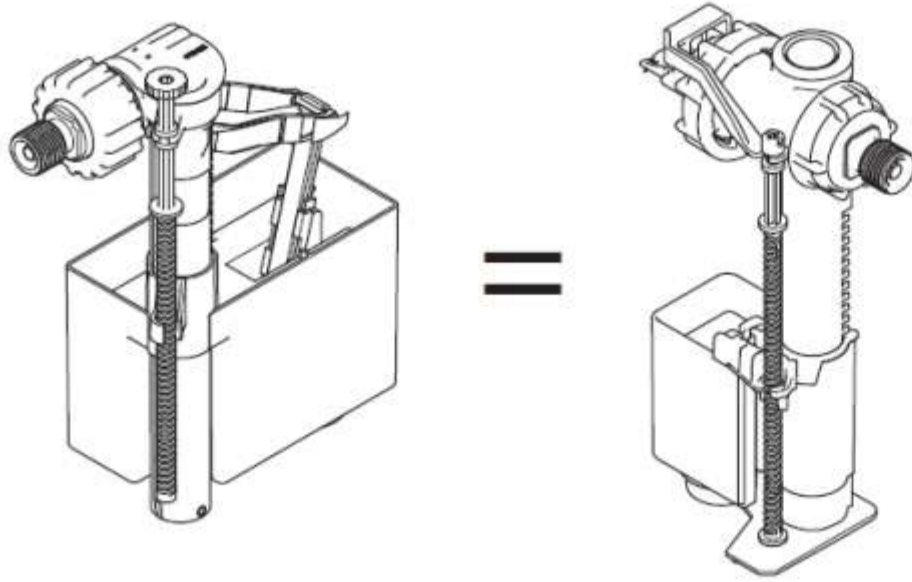


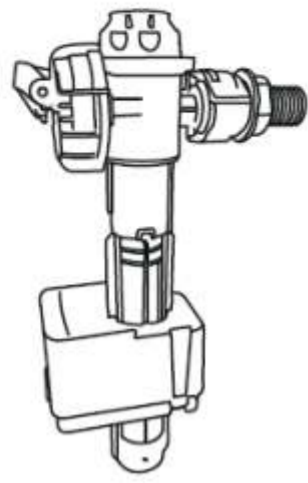
*TECE® TECE 1120



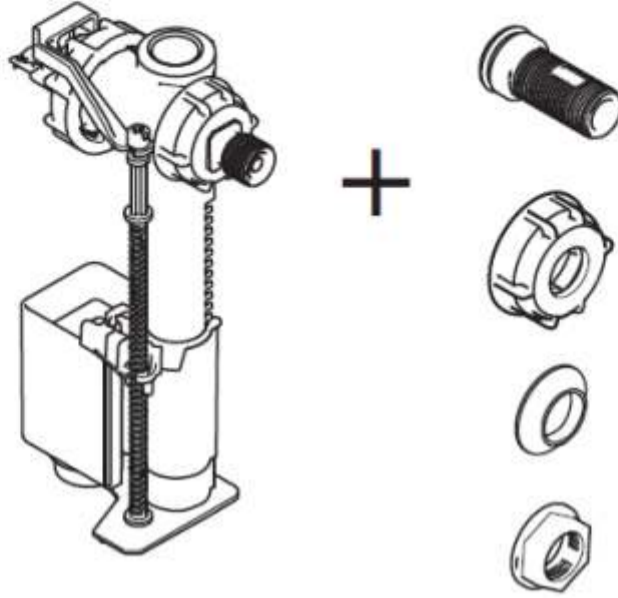
*Are not OLI registered trademark



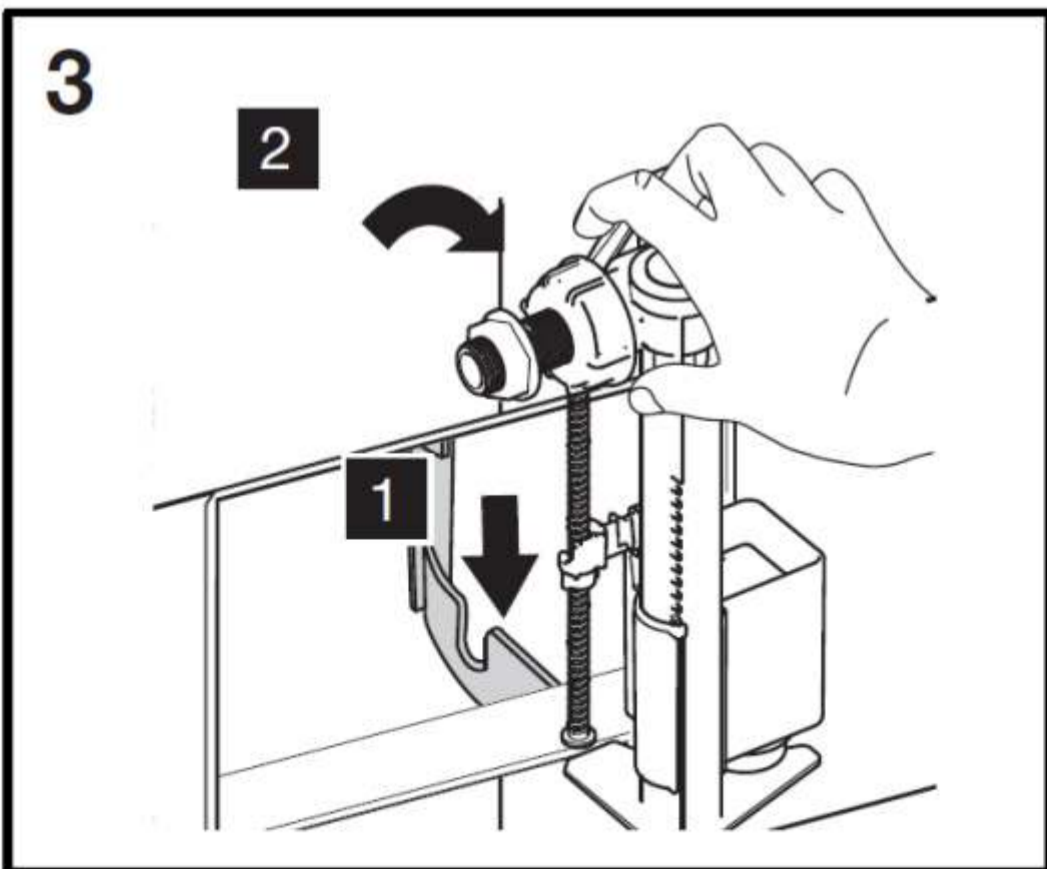
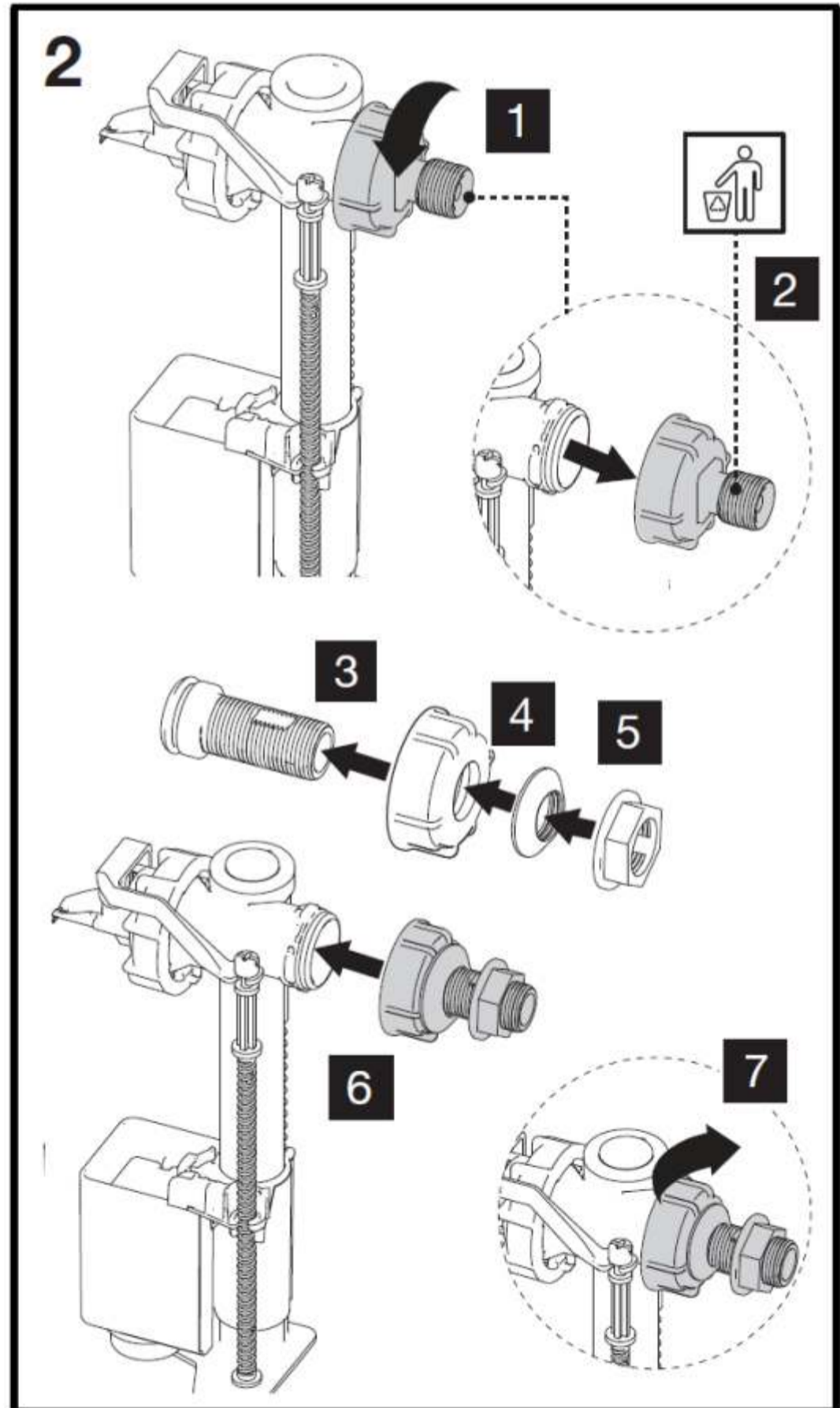
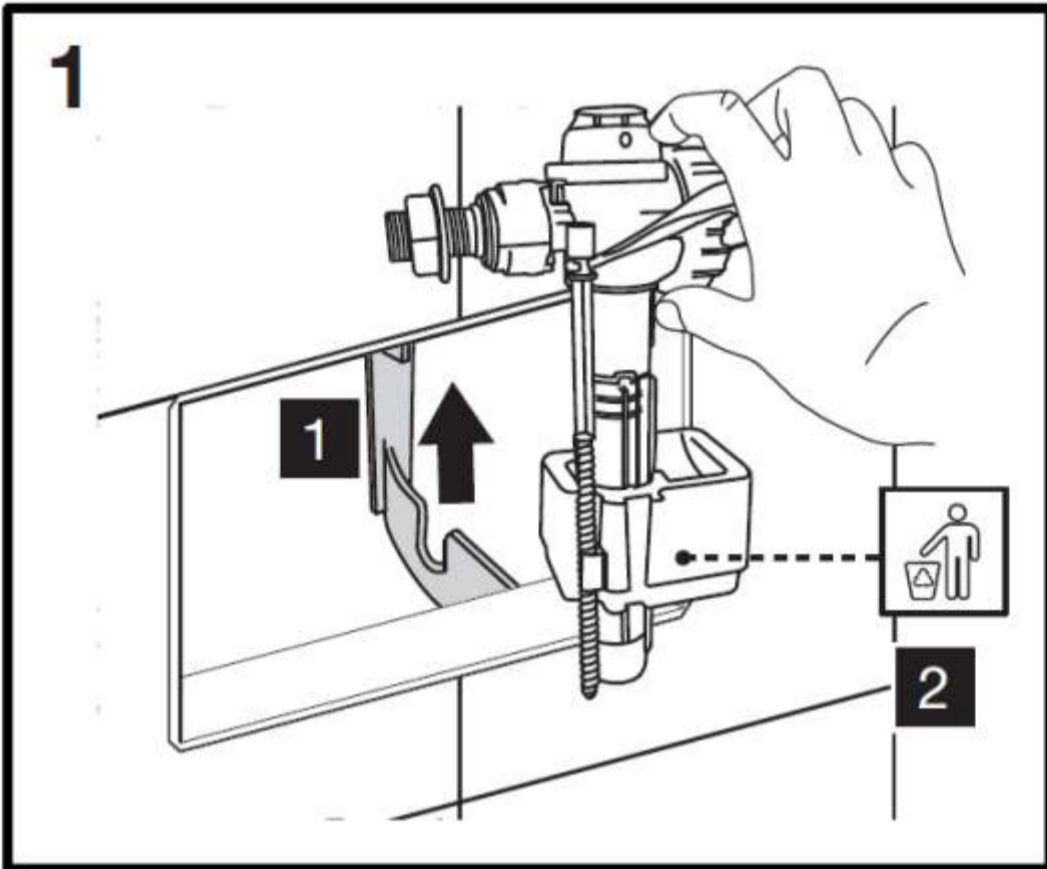




=



*Are not OLI registered trademark

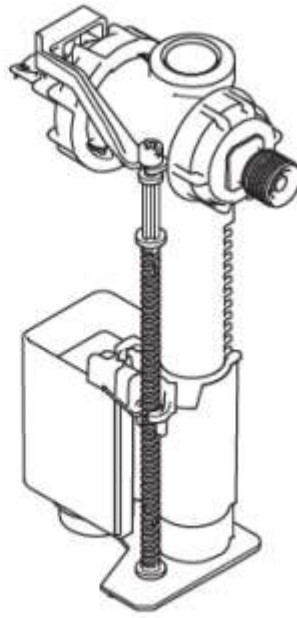




*VALSIR® MEDUSA

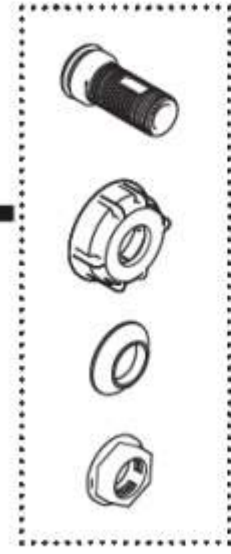


=



2009-2010

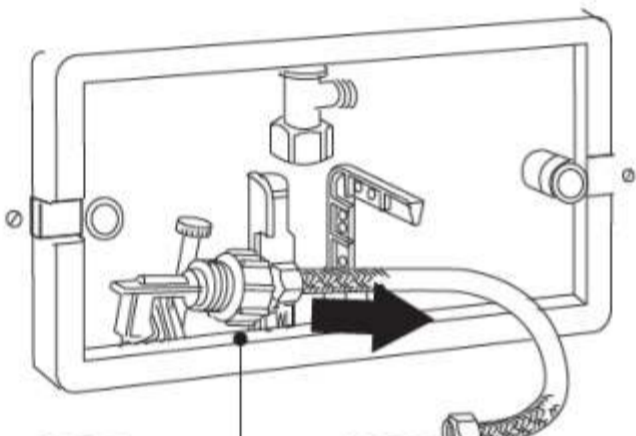
+



1994-2008

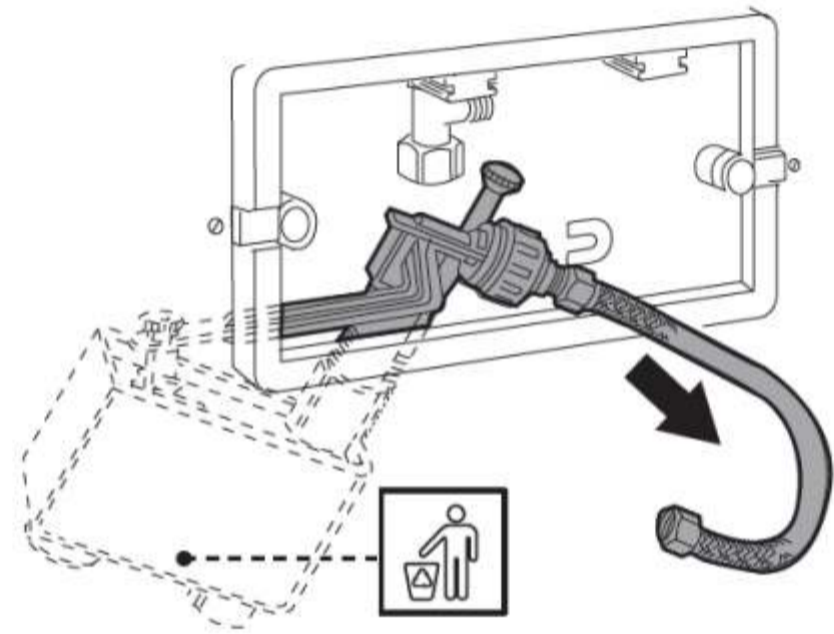
*Are not OLI registered trademark

1

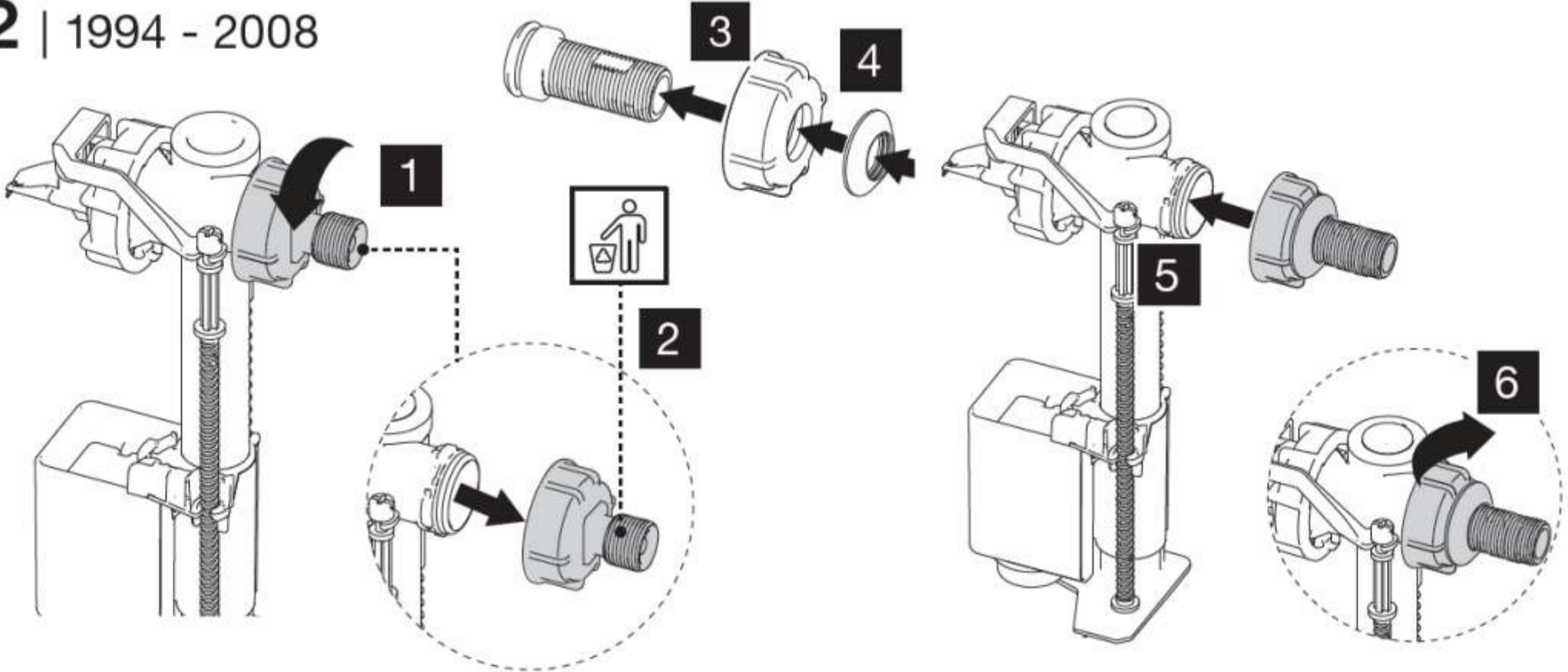


1994 - 2008

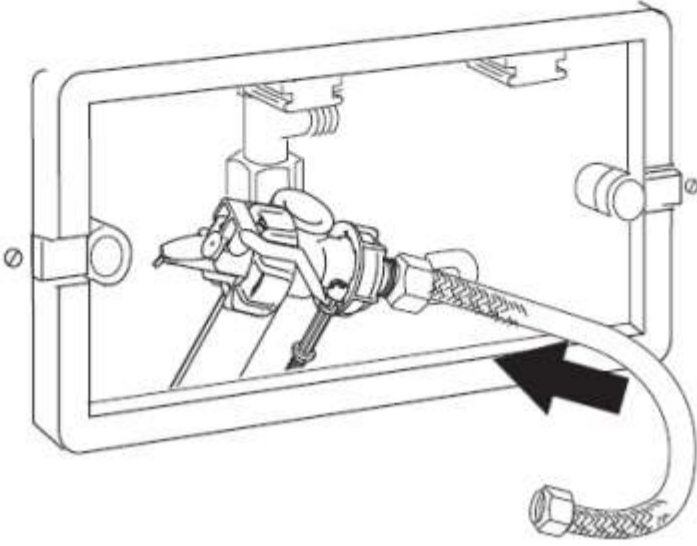
2009 - 2010



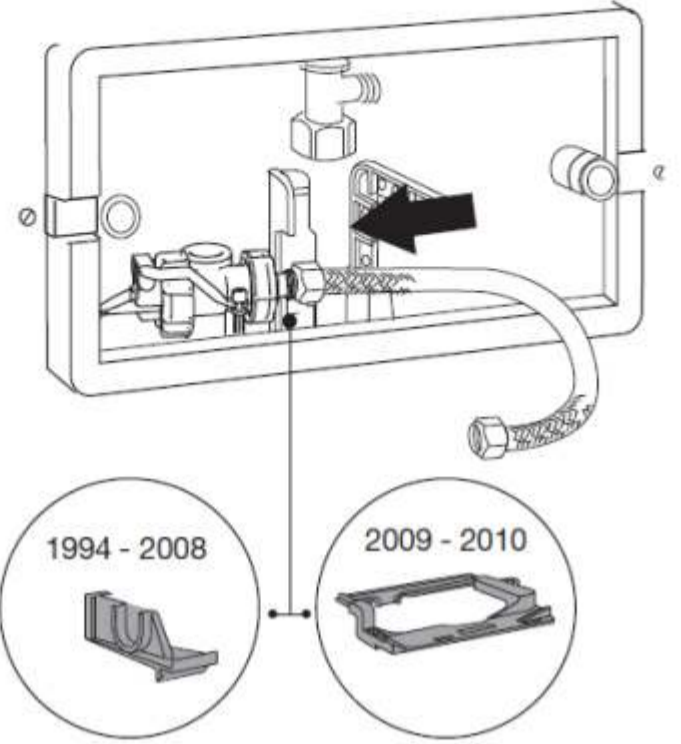
2 | 1994 - 2008



3

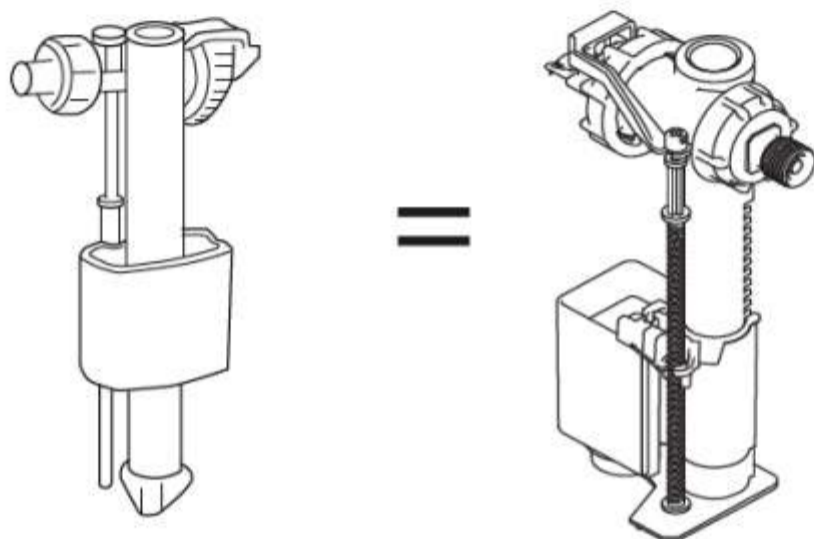
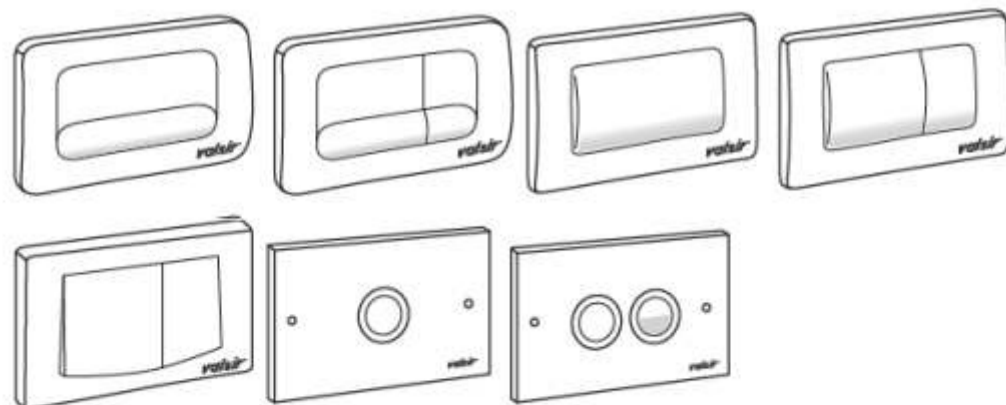


4



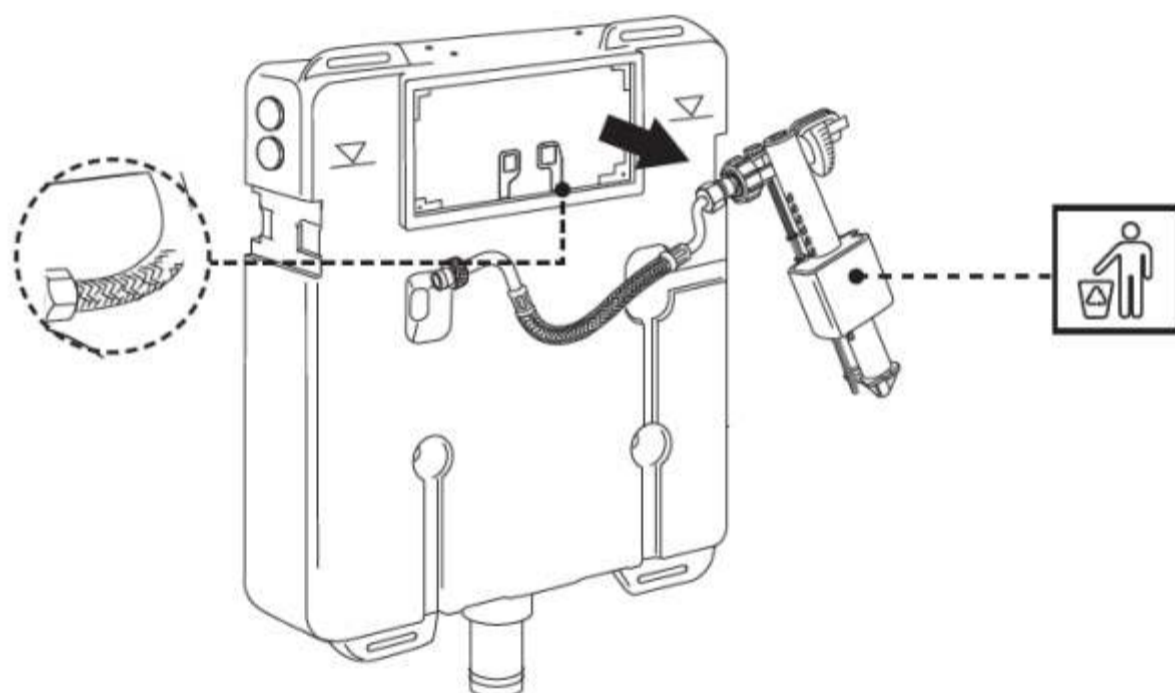


*VALSIR® TROPEA-TROPEA 2 (2004-2012)

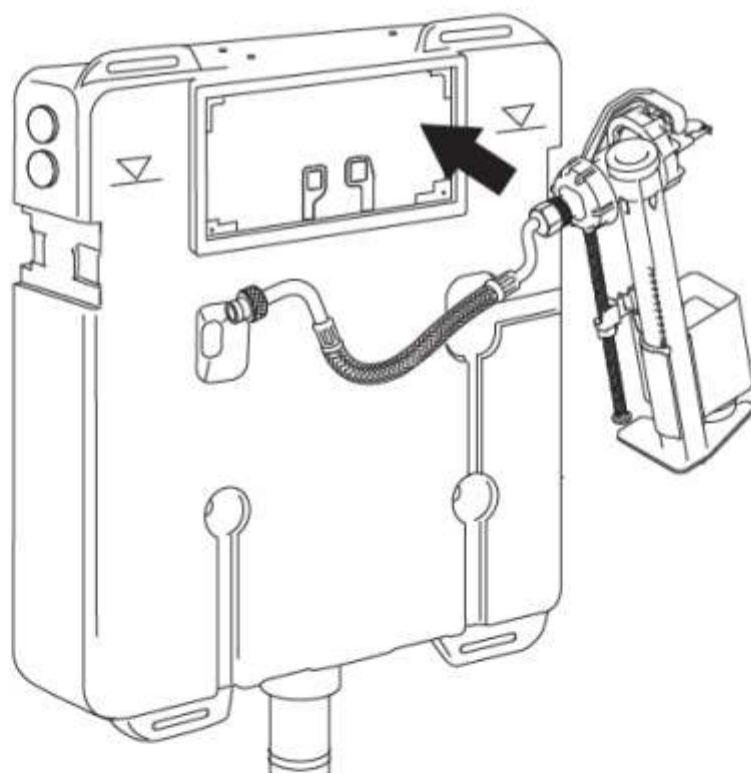


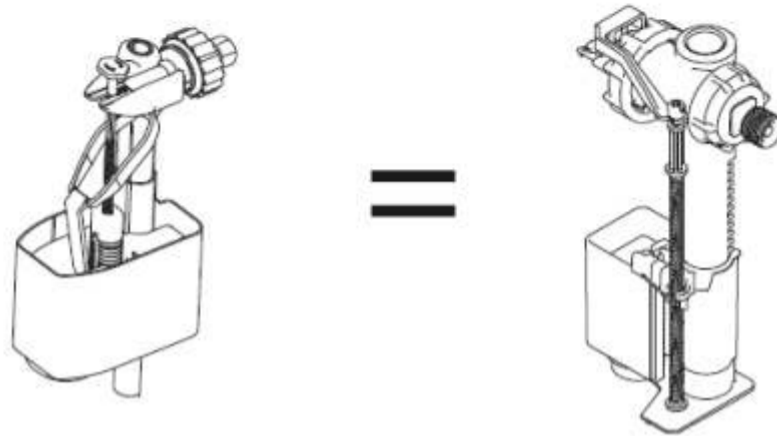
*Are not OLI registered trademark

1



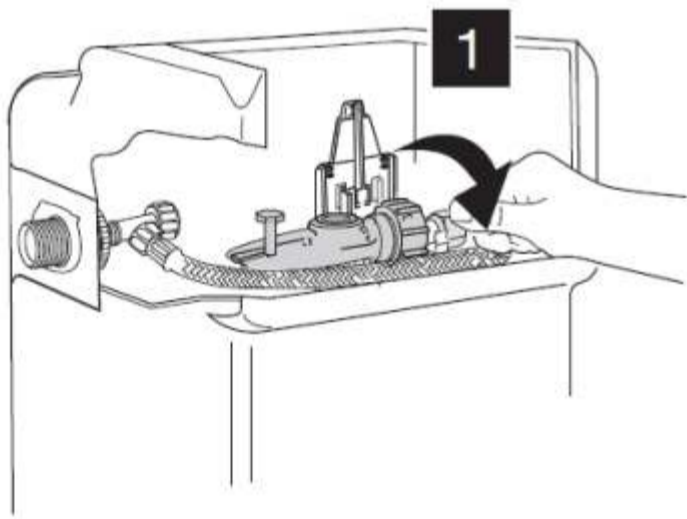
2



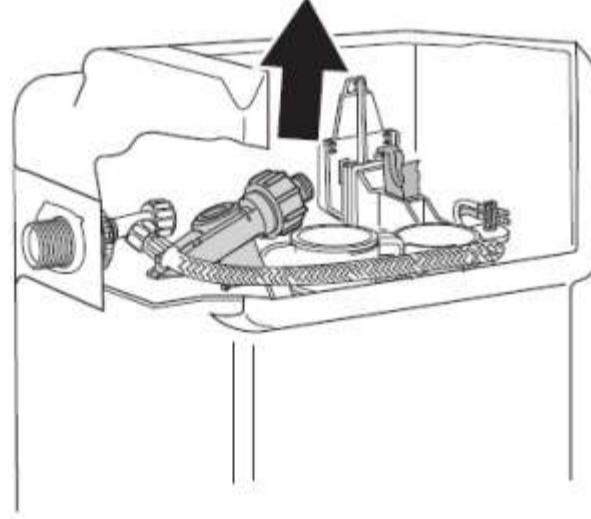


*Are not OLI registered trademark

1

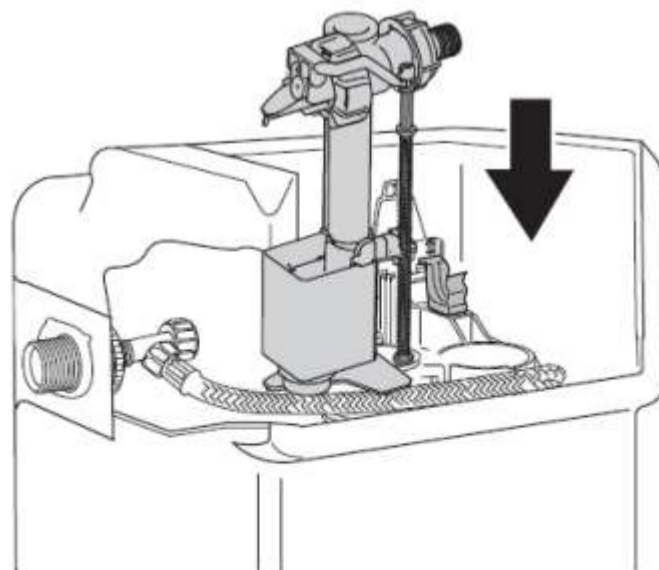


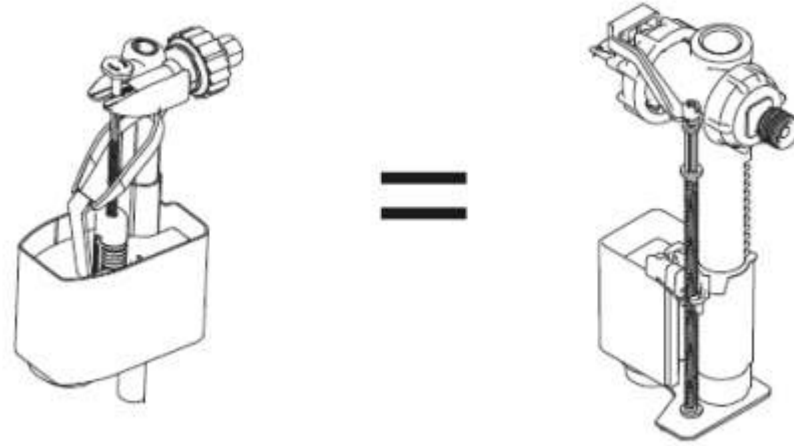
2



3

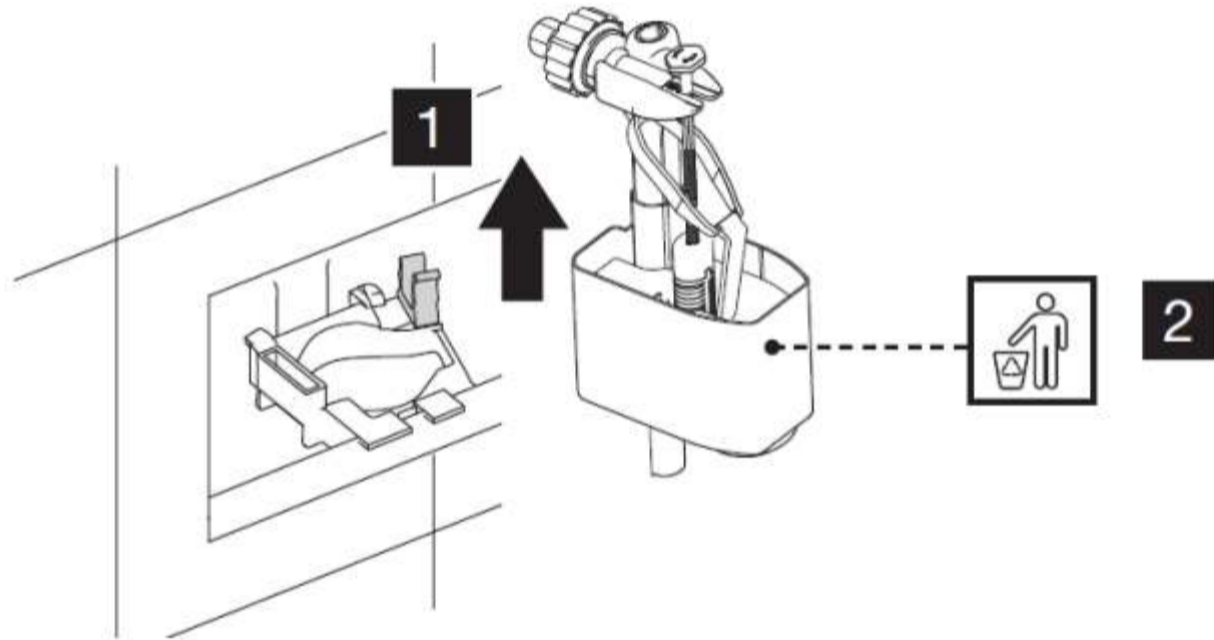
2



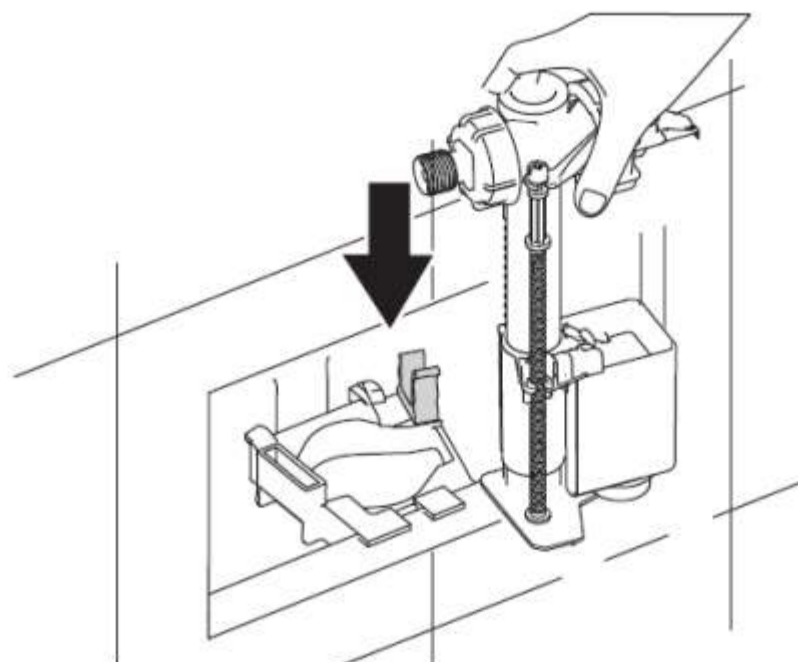


*Are not OLI registered trademark

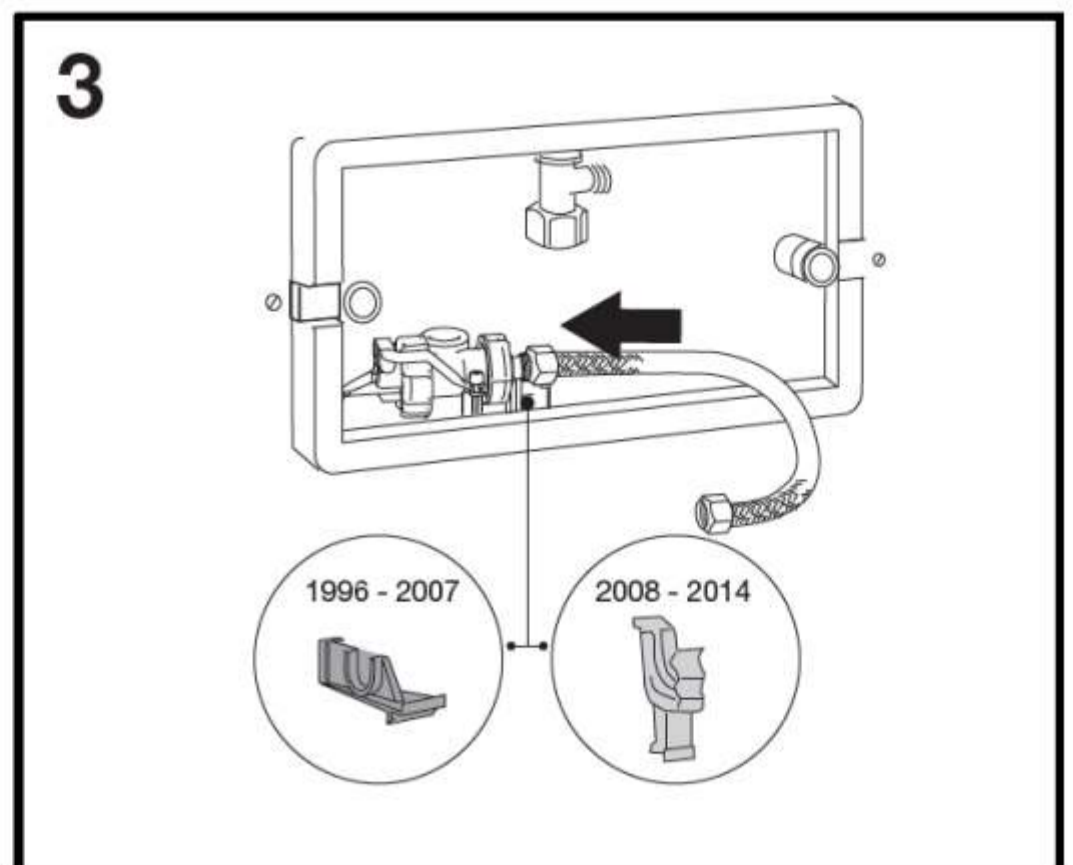
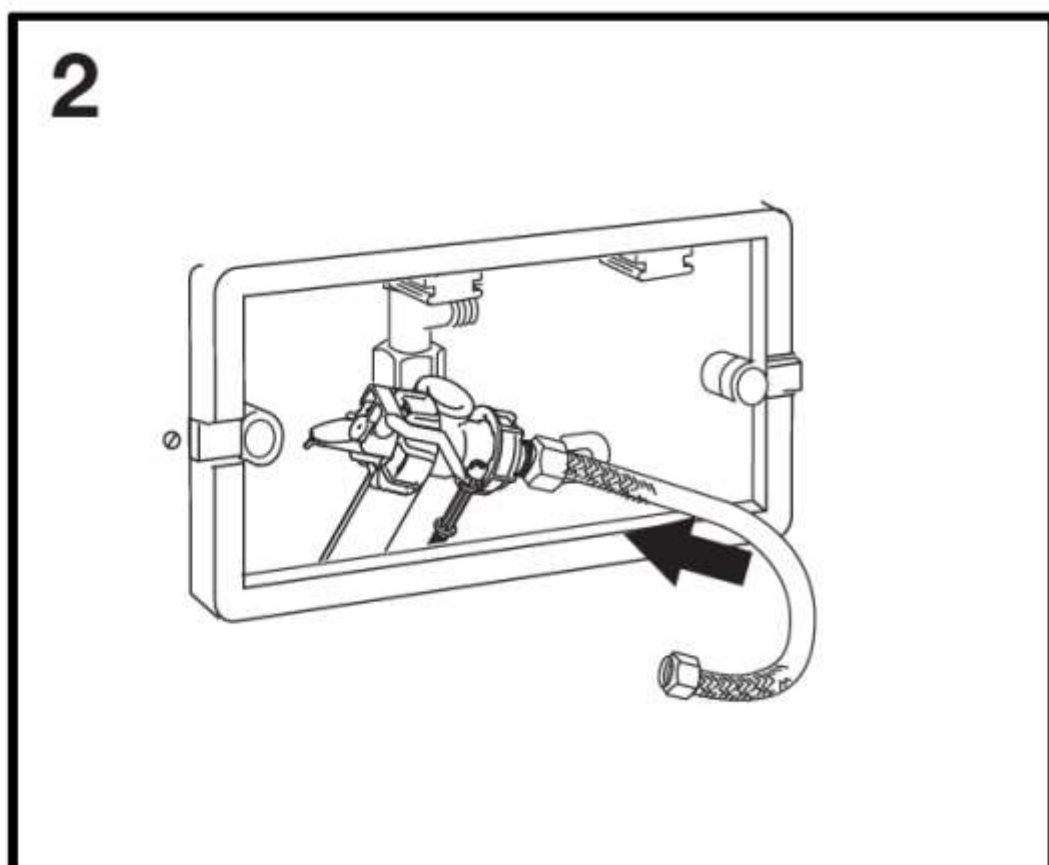
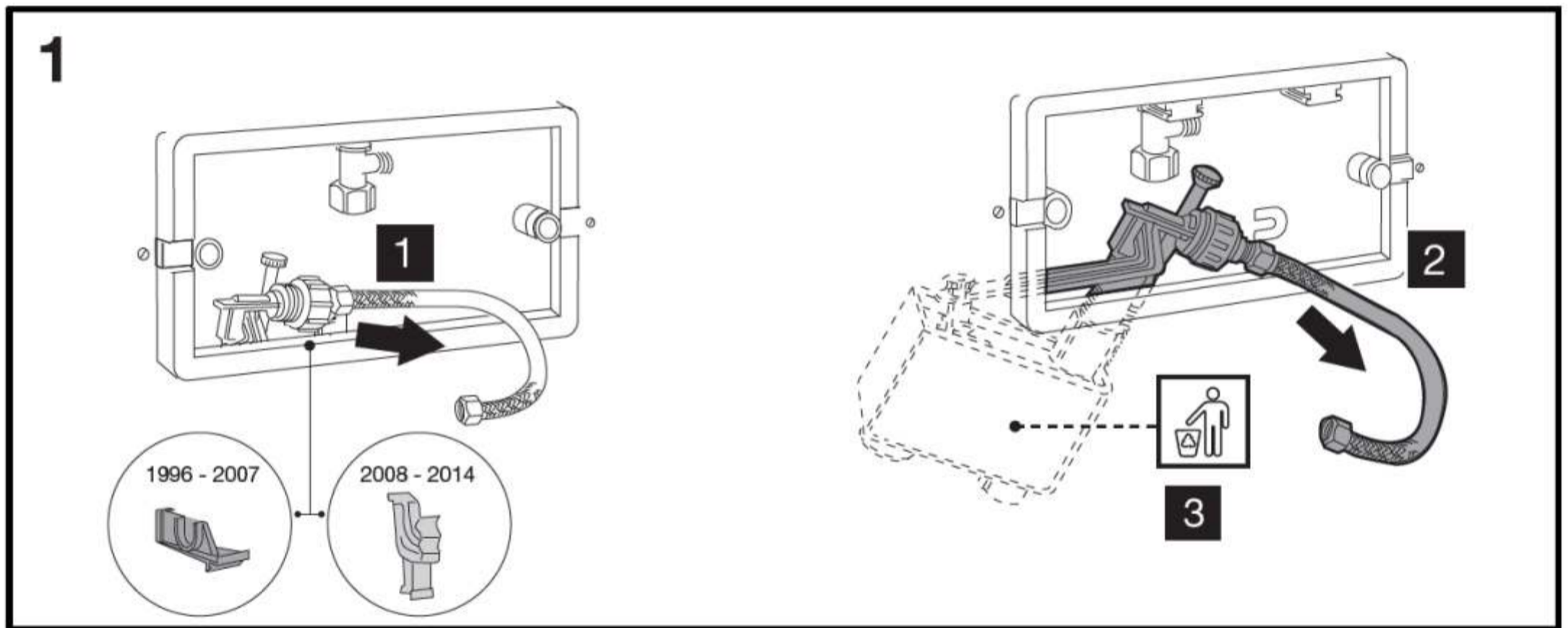
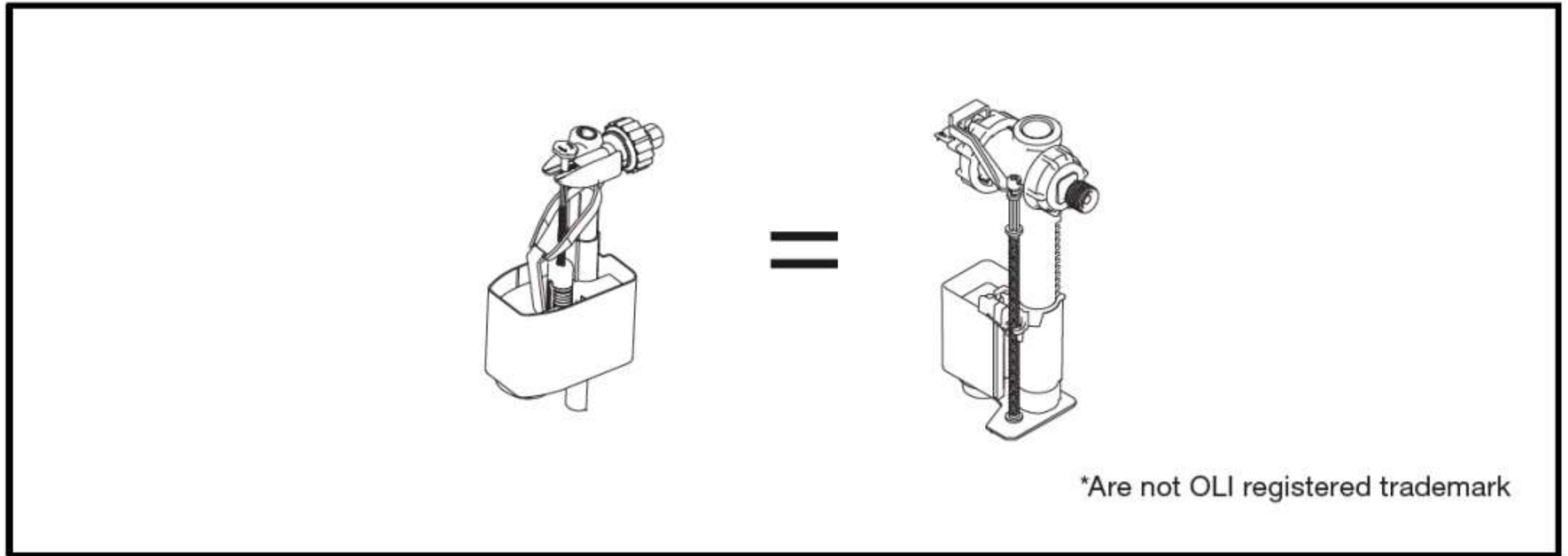
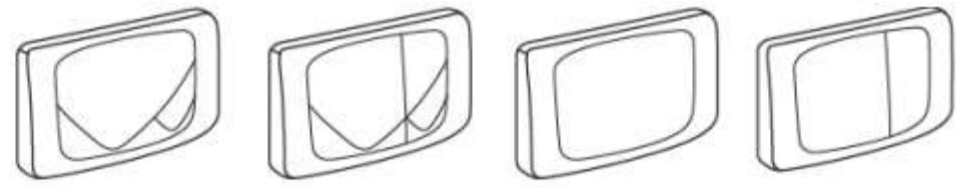
1

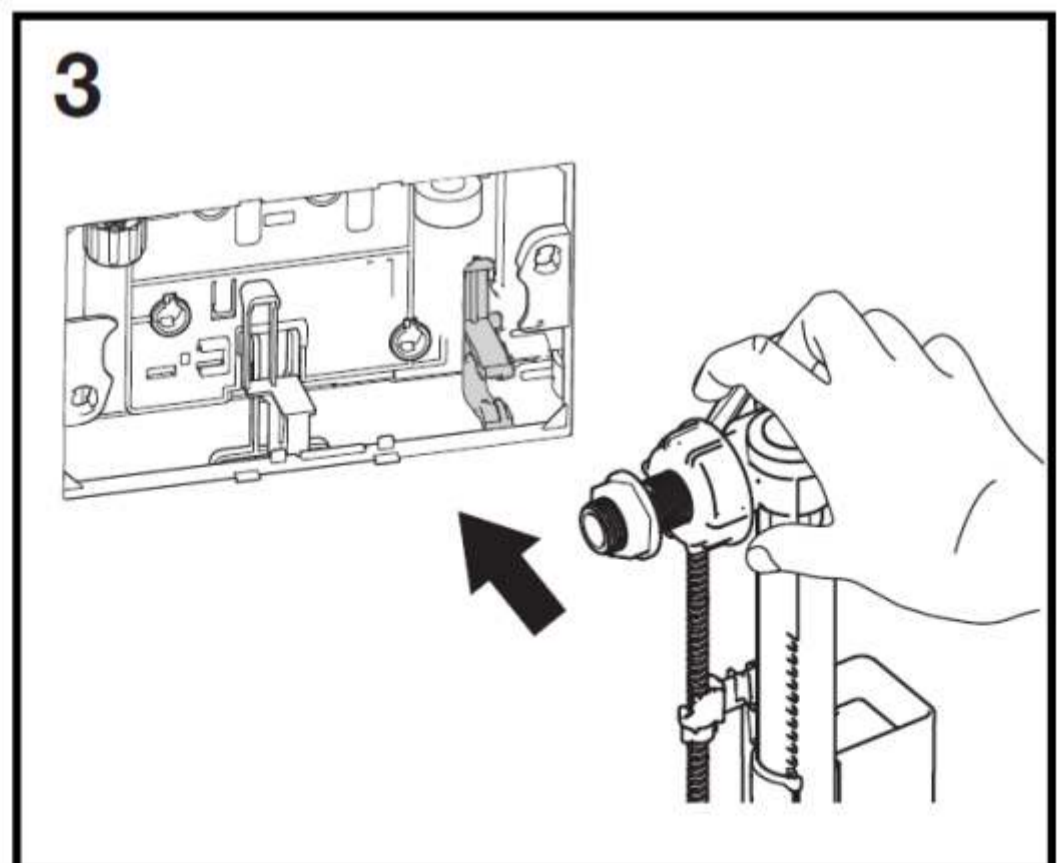
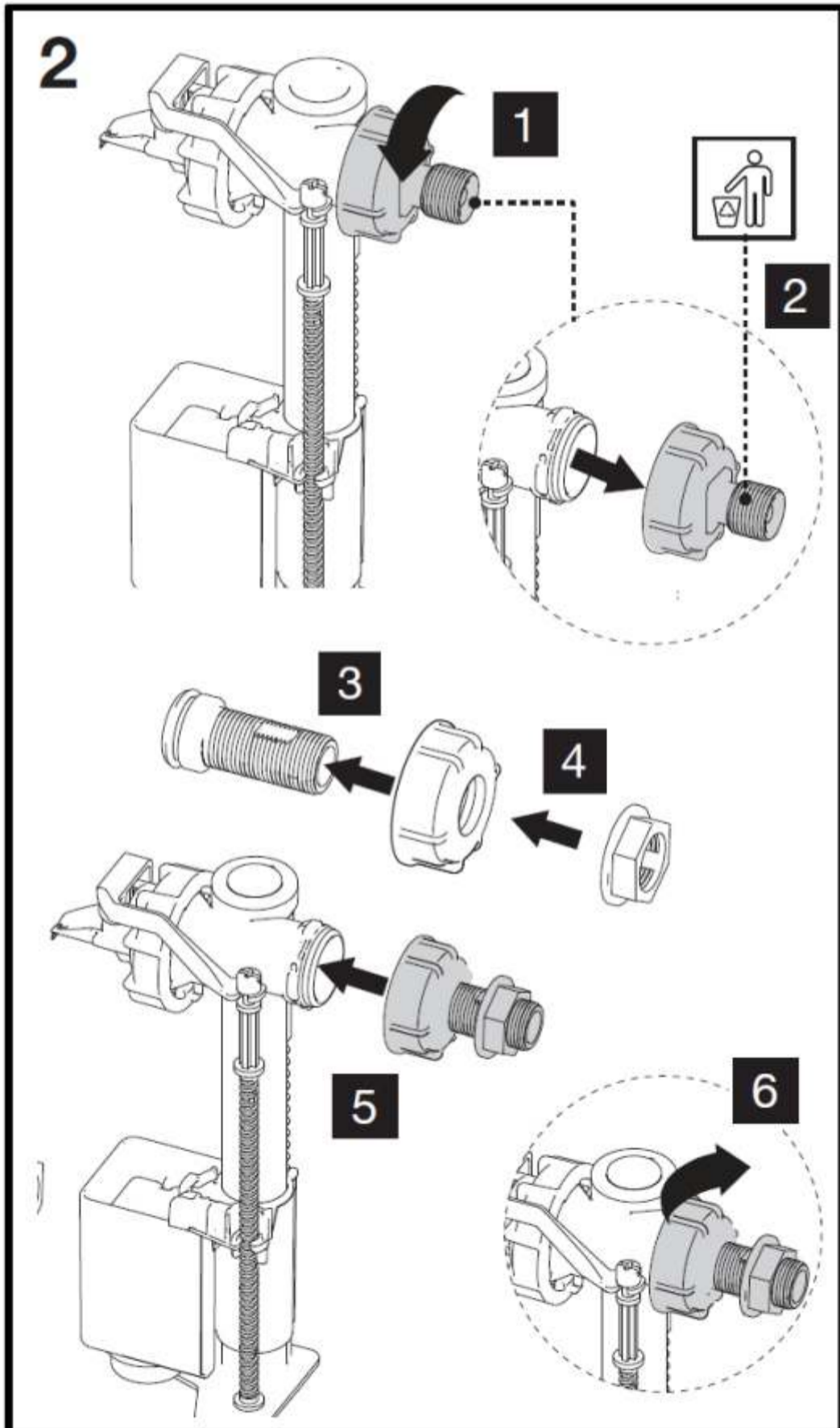
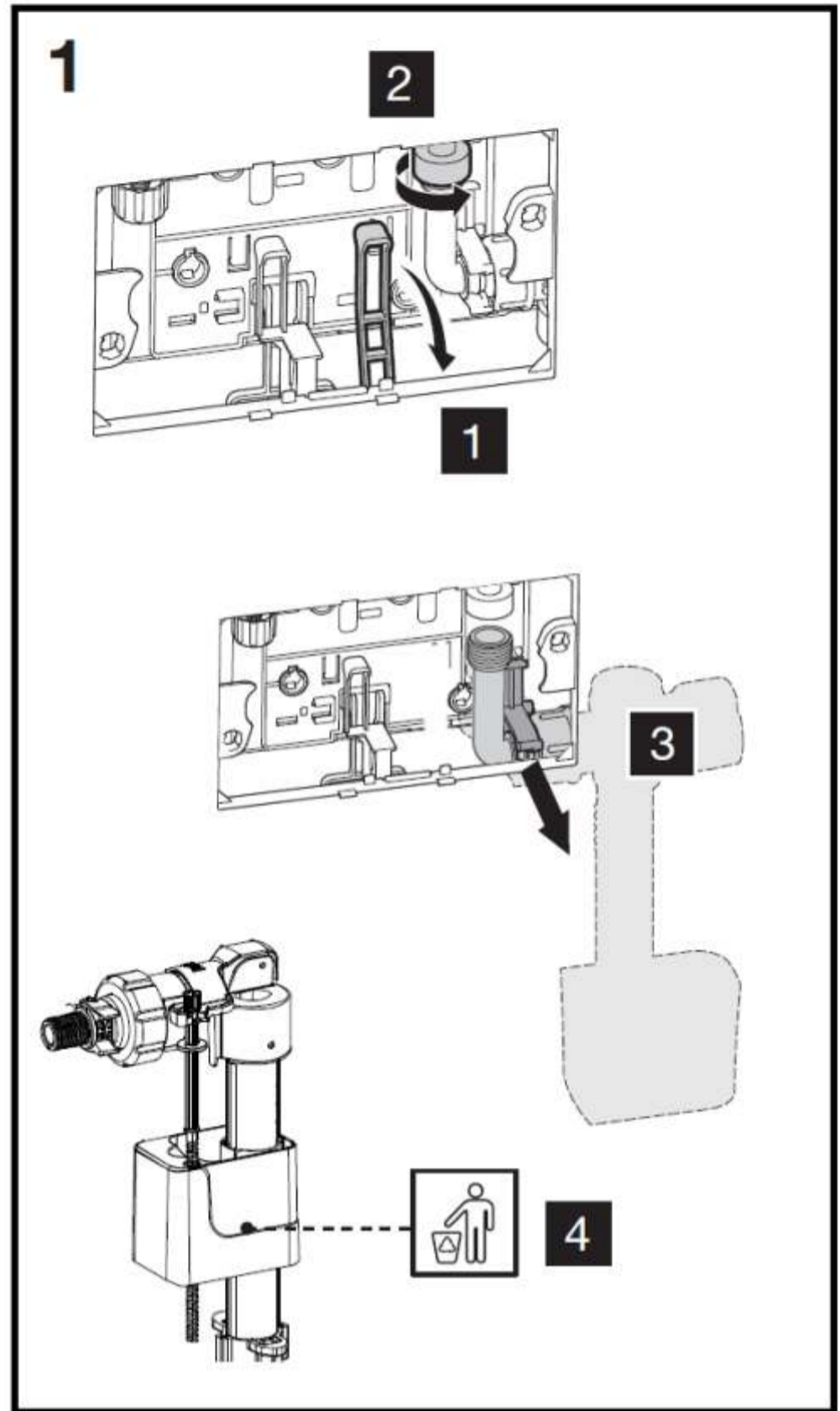
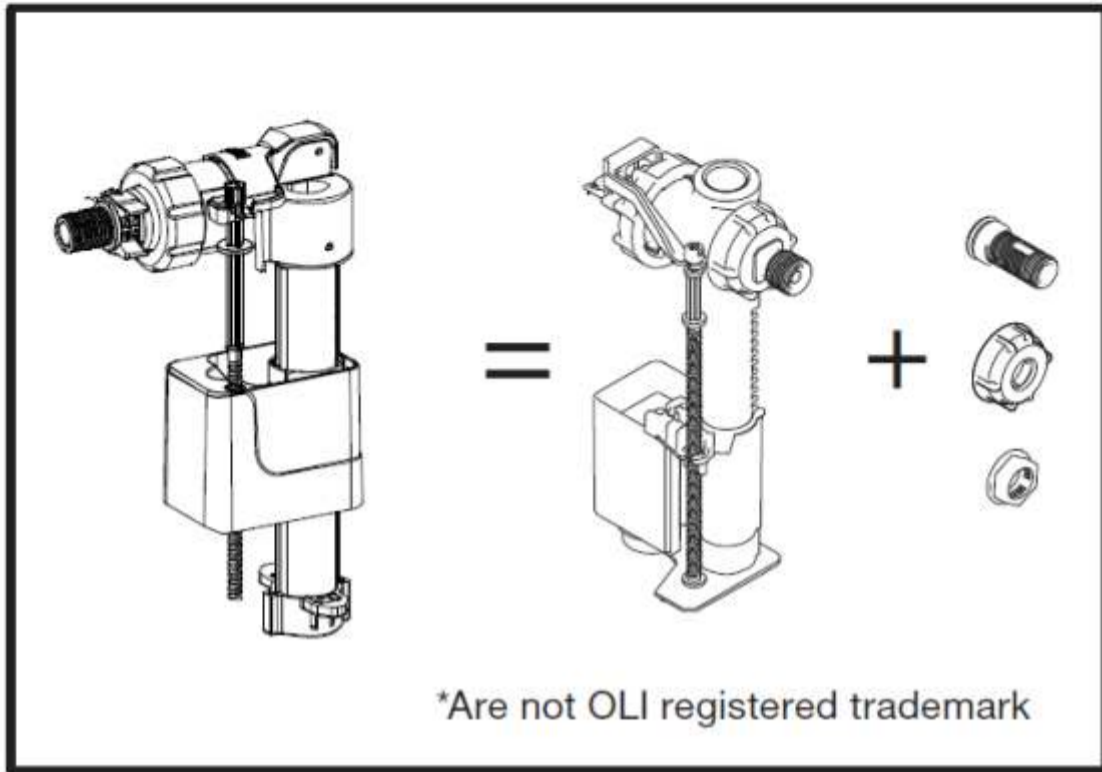


2



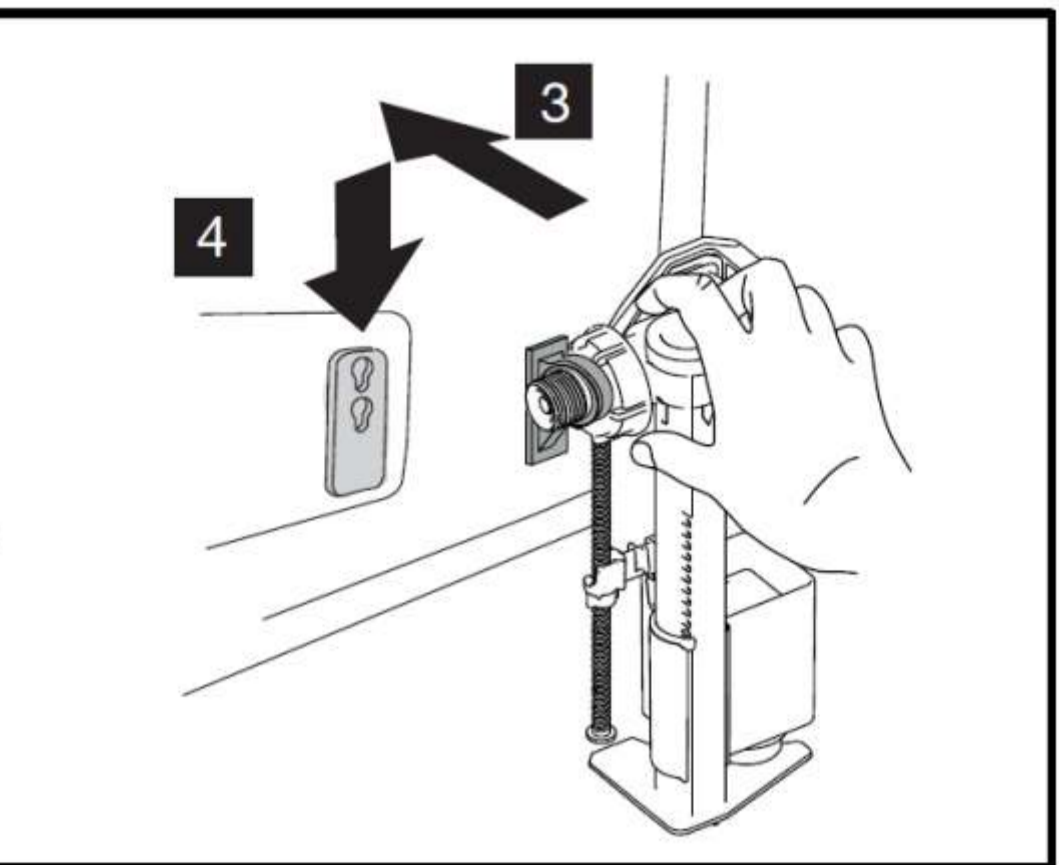
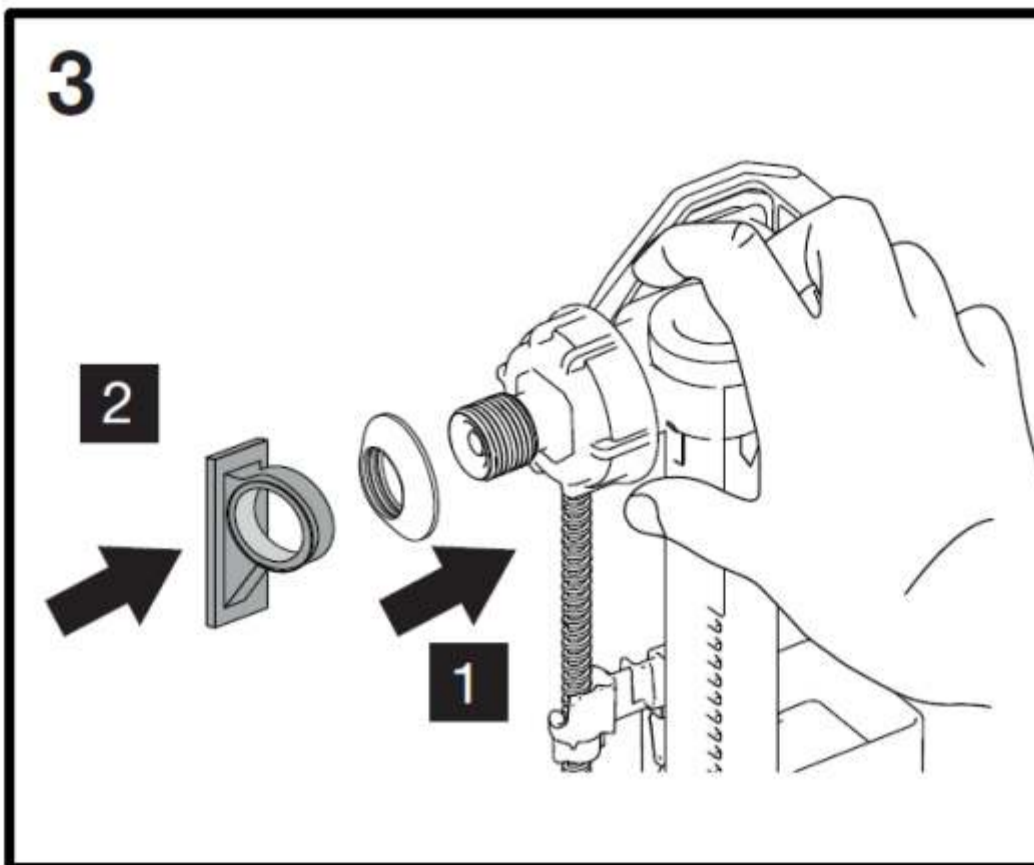
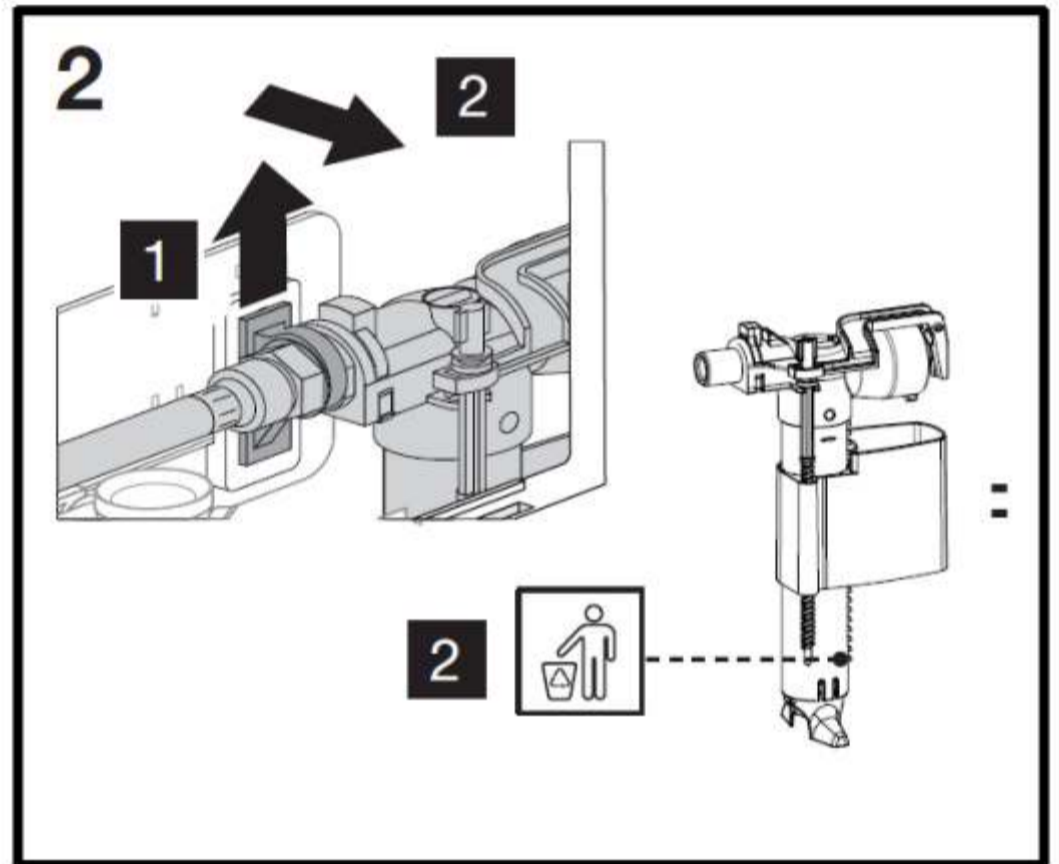
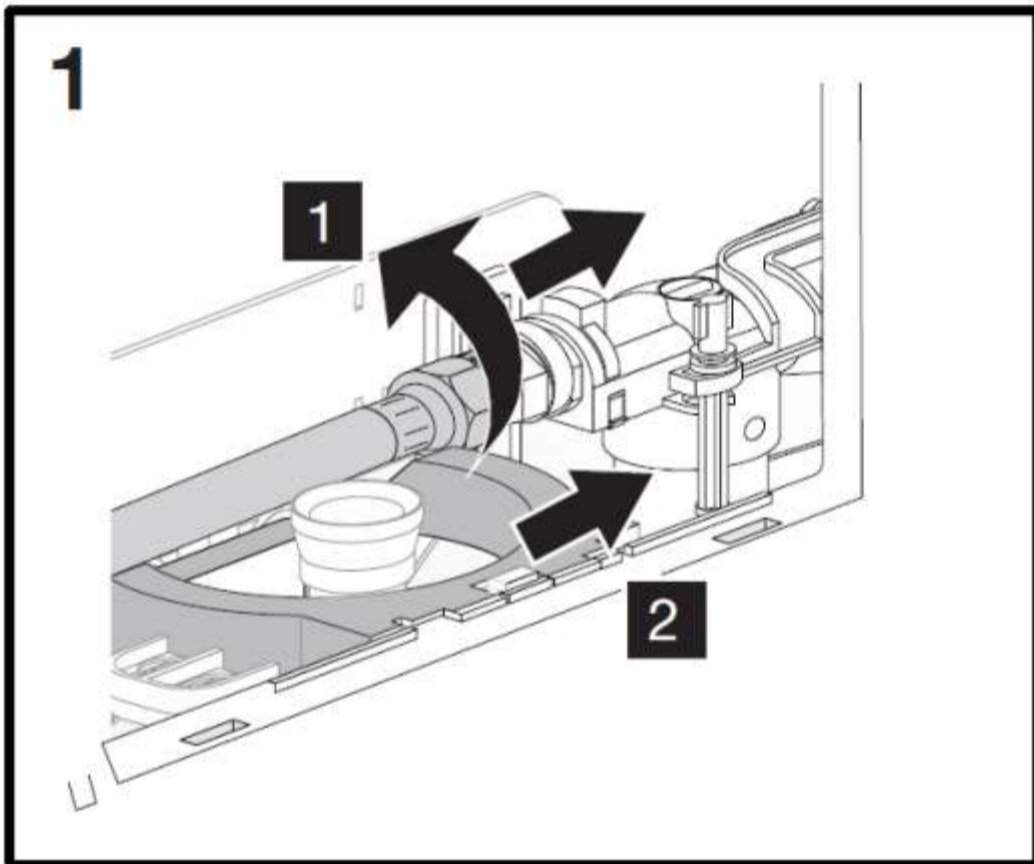
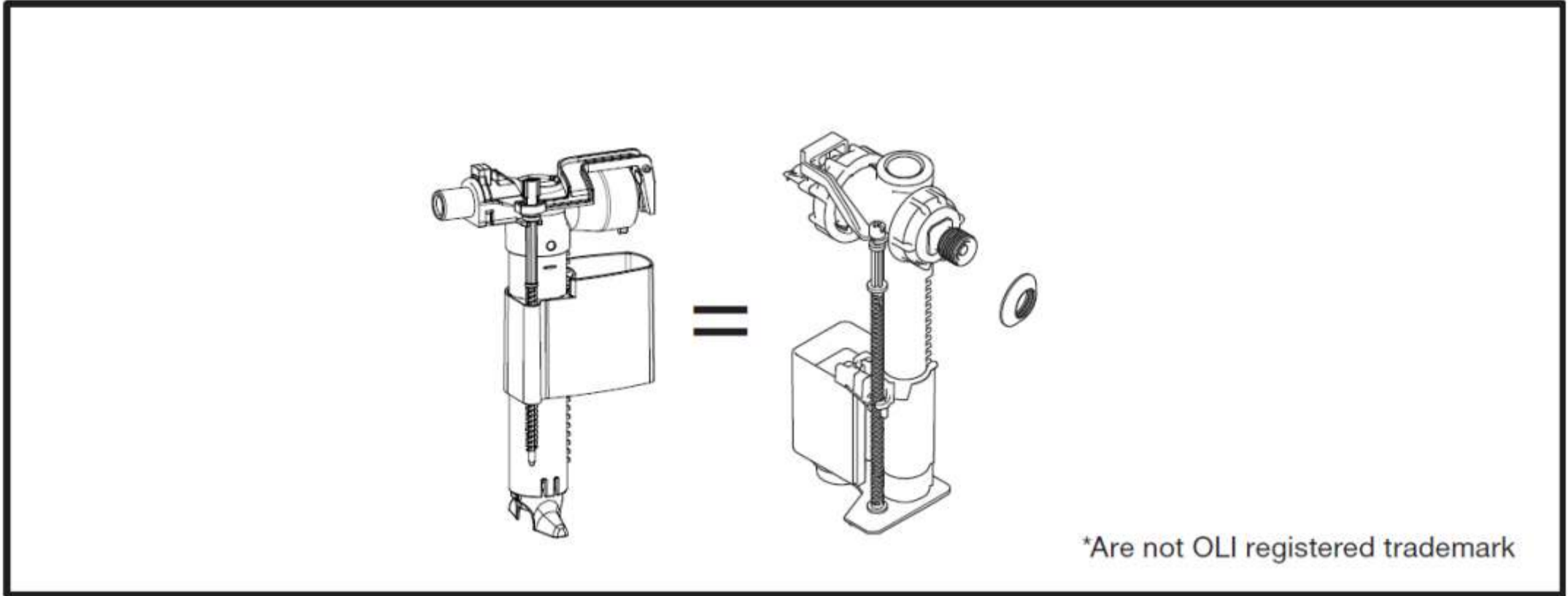
i *VALSIR® RIOS | RIOS2 | EVOLUT
| ANGEL

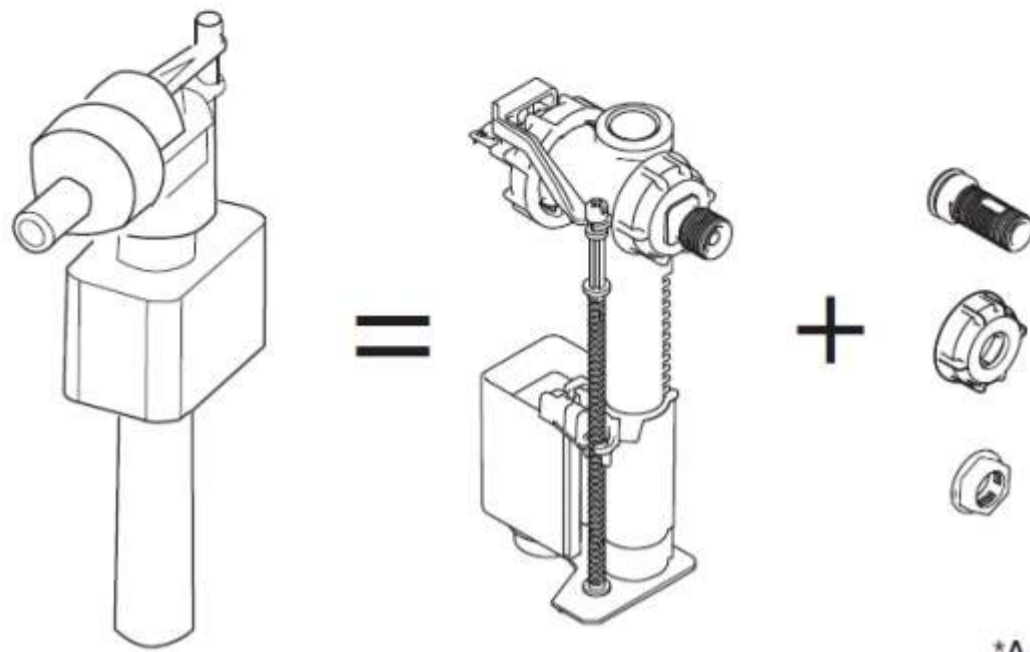




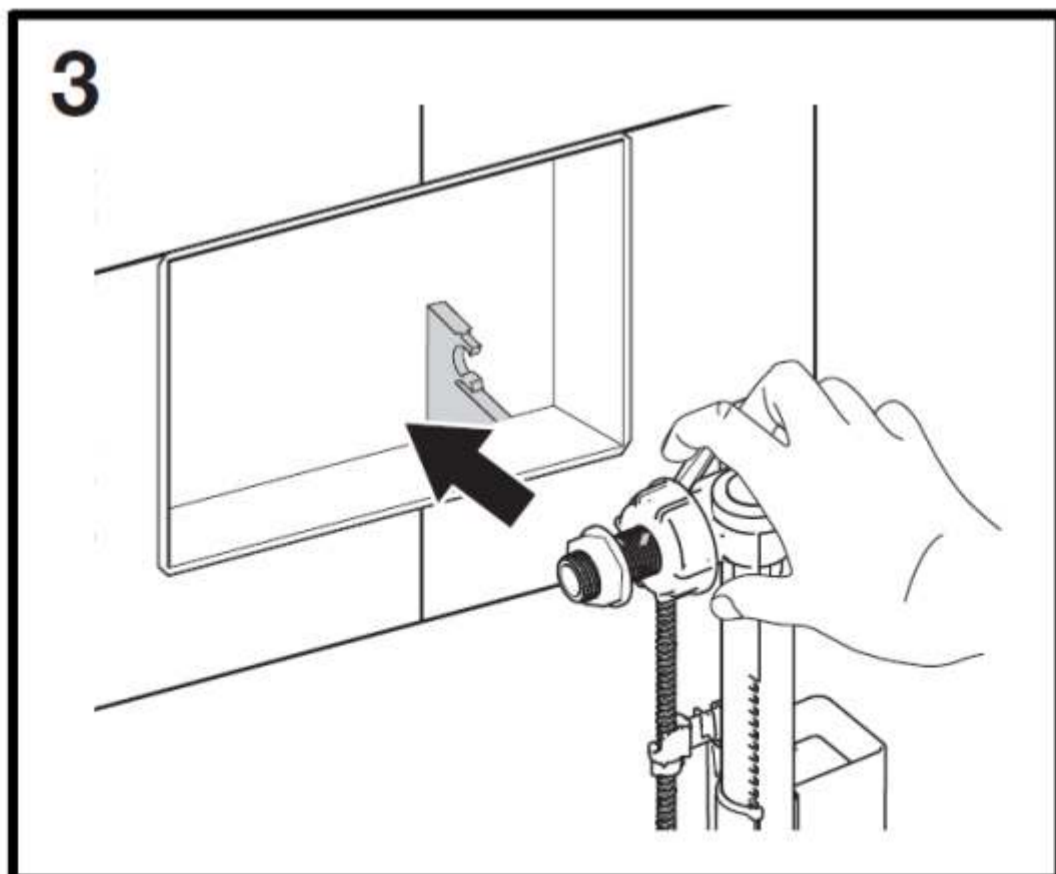
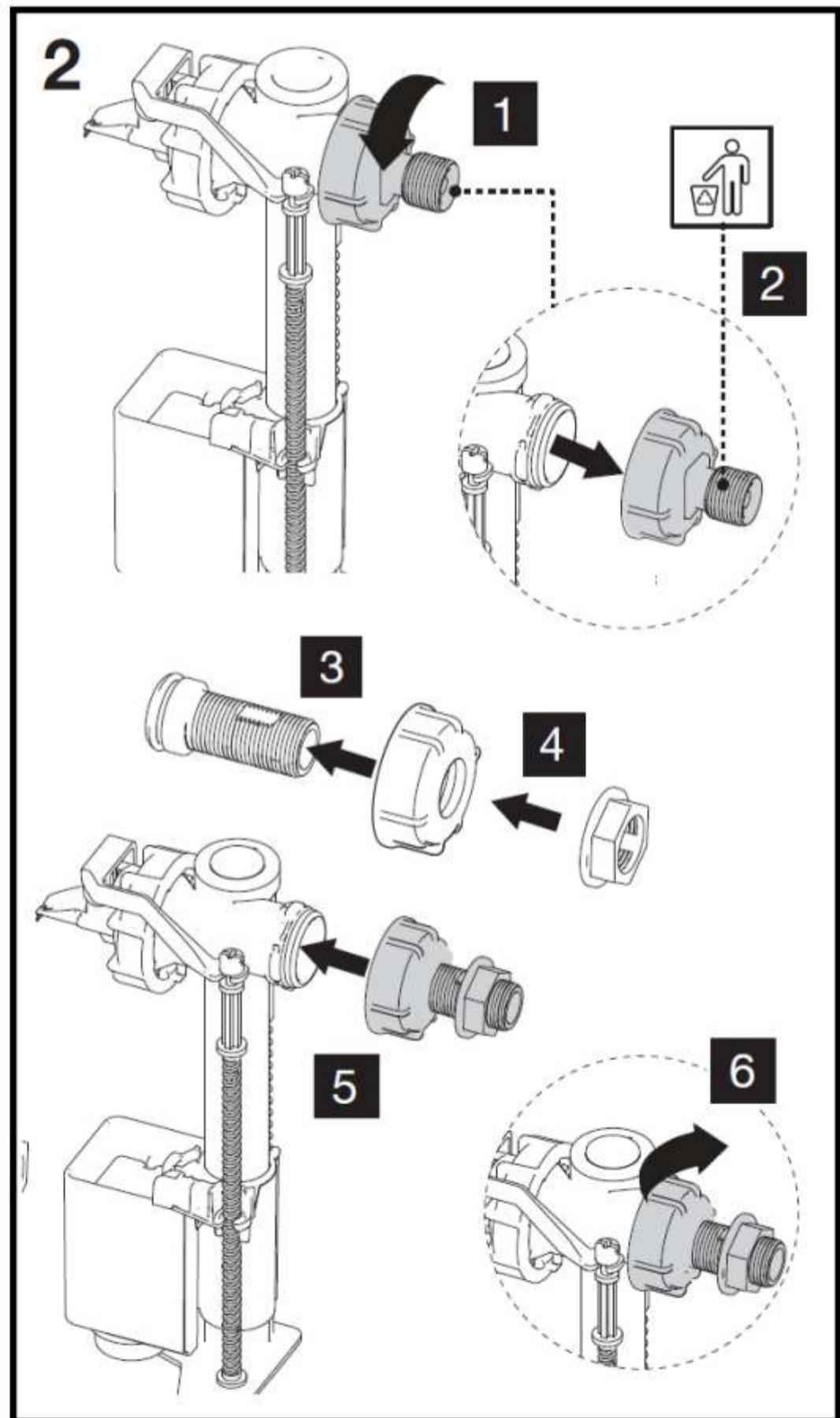
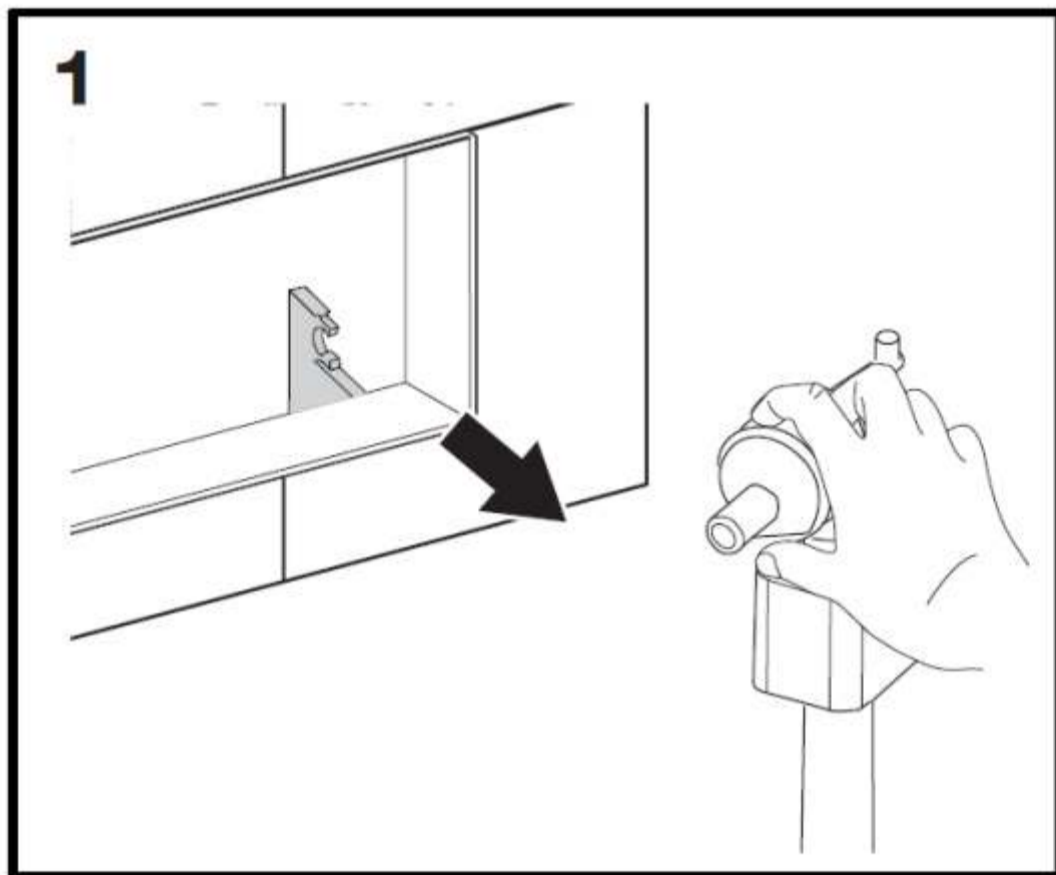


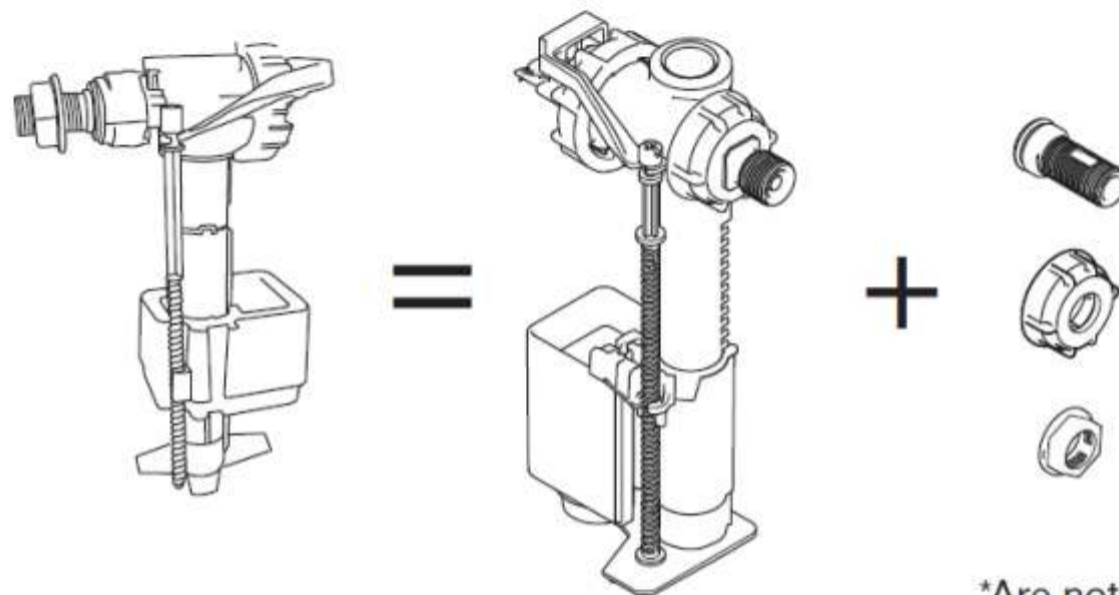
***ROCA® BASIC ONE WC COMPACT**



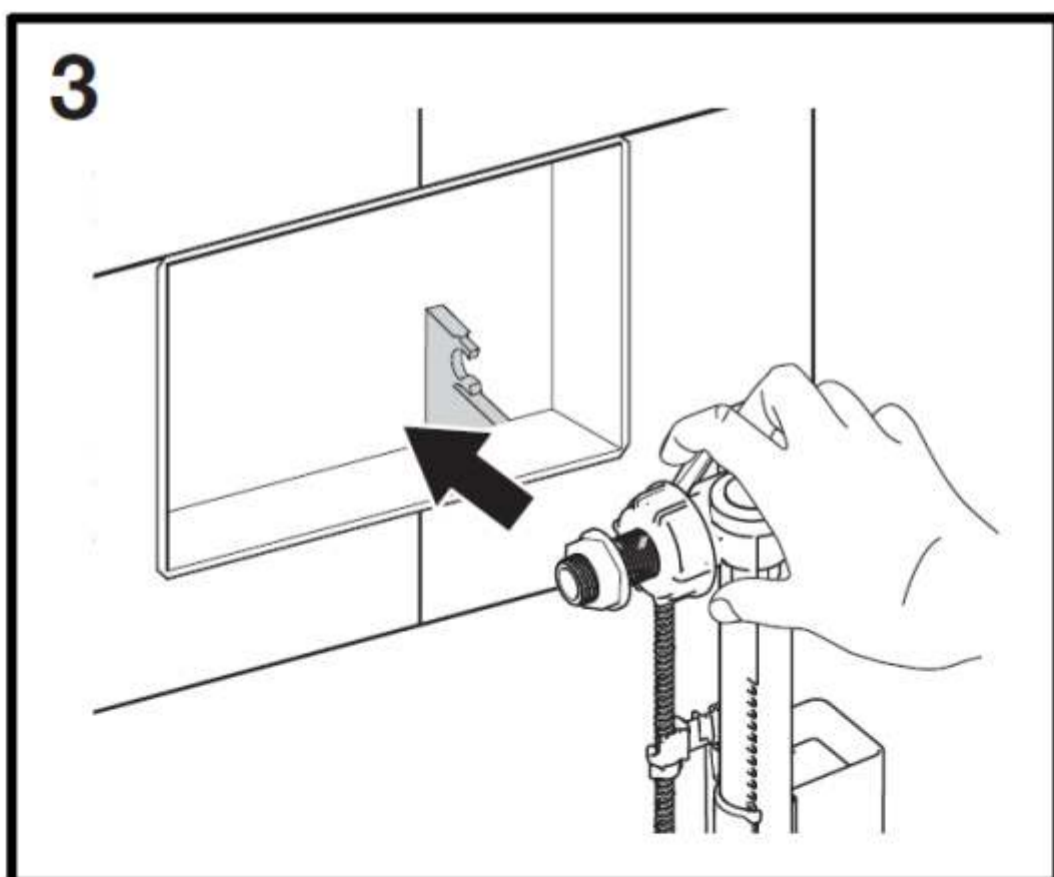
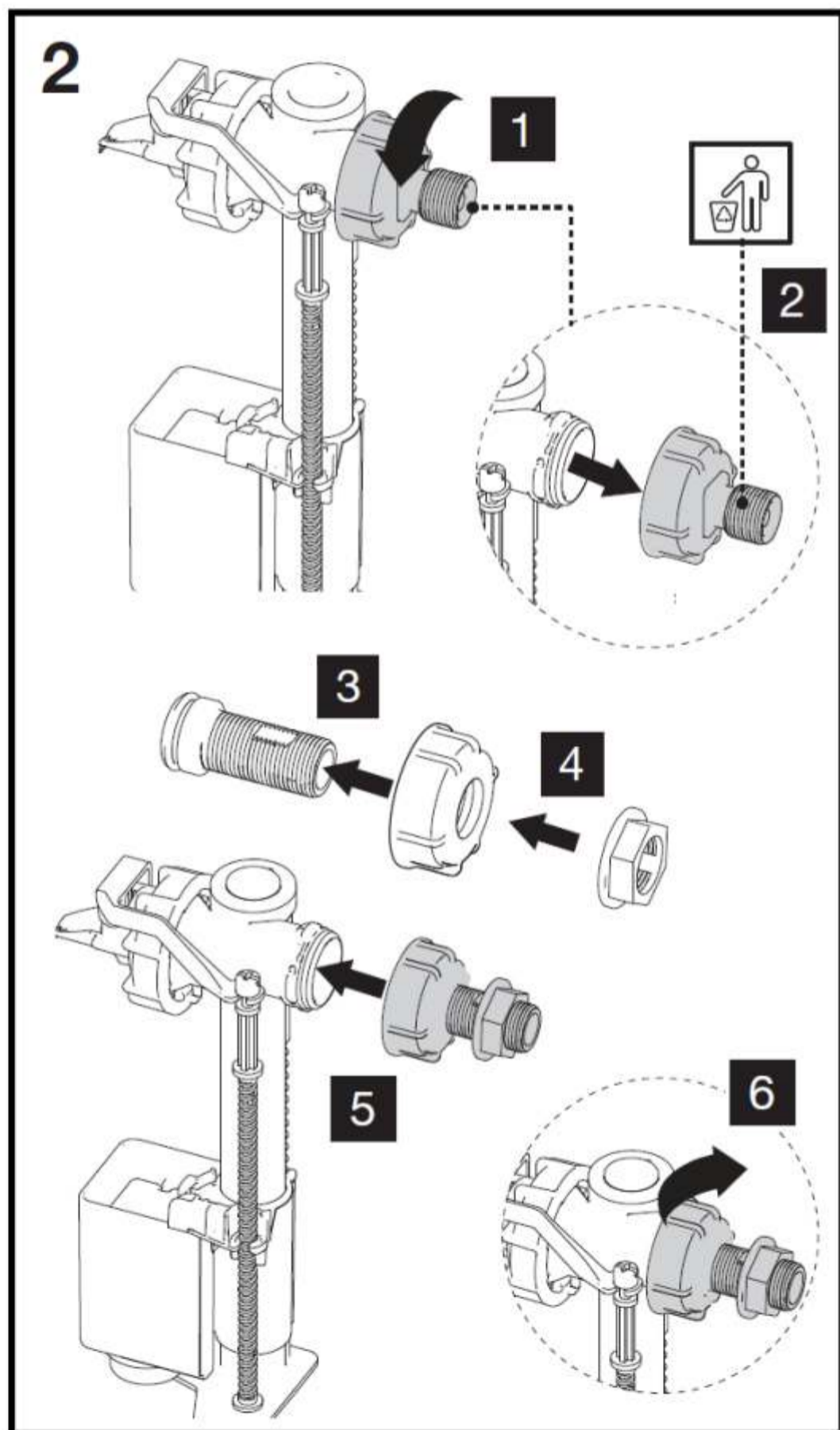
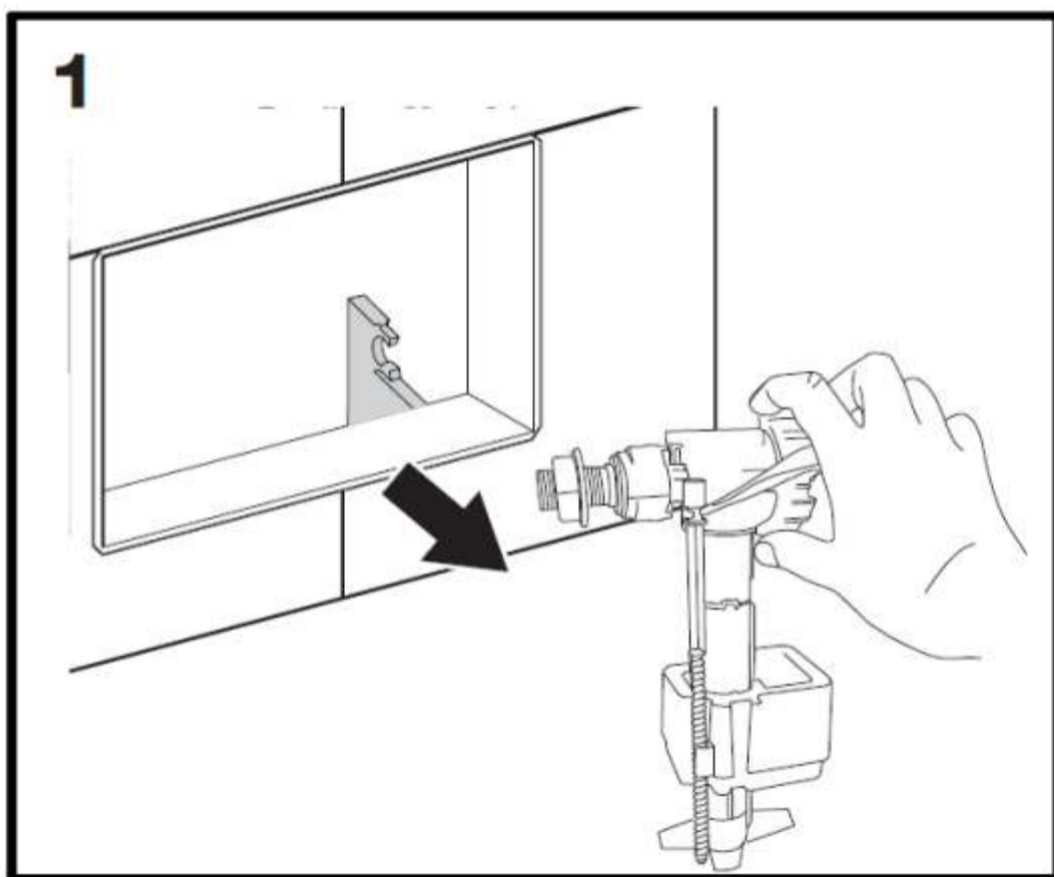


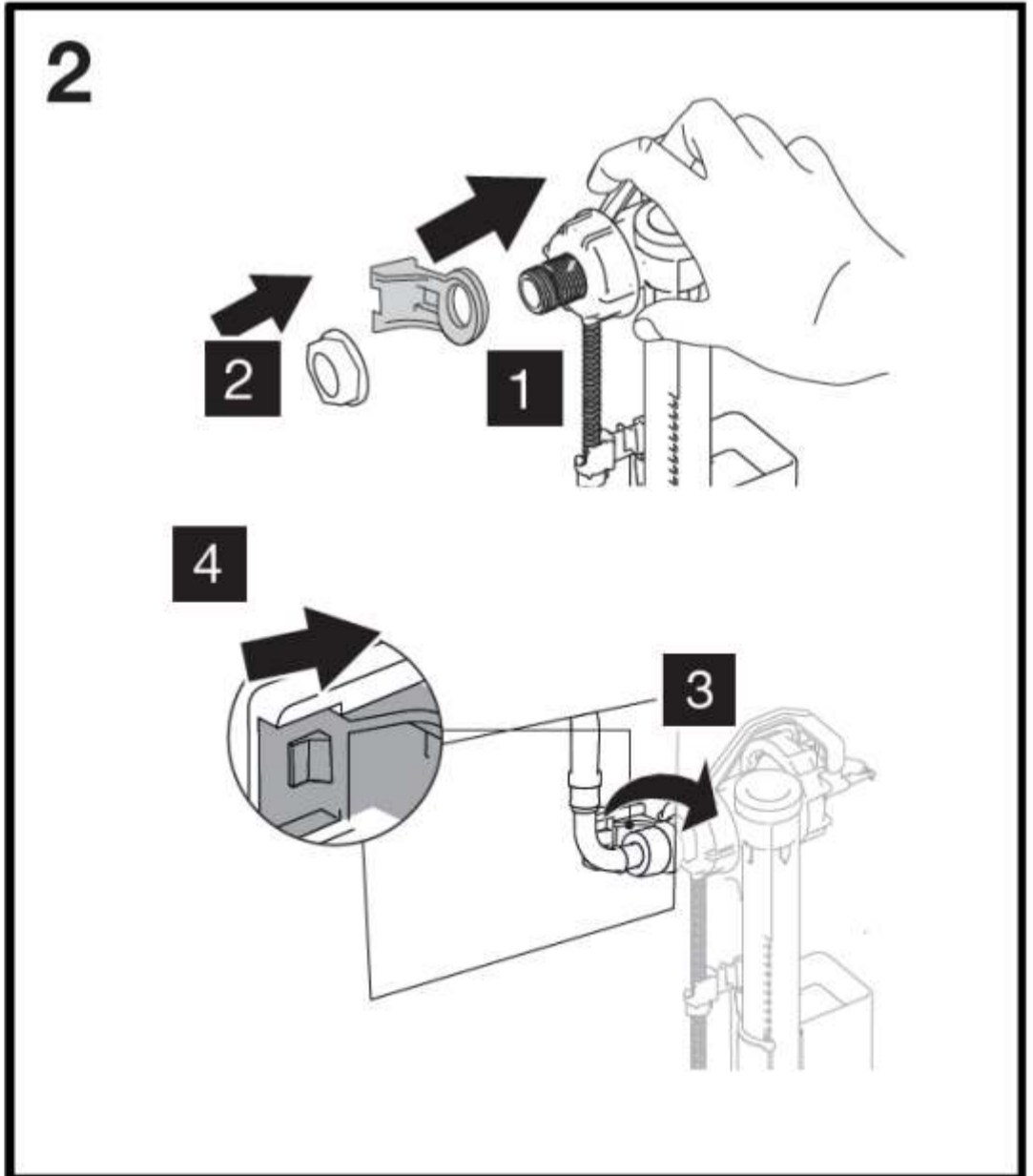
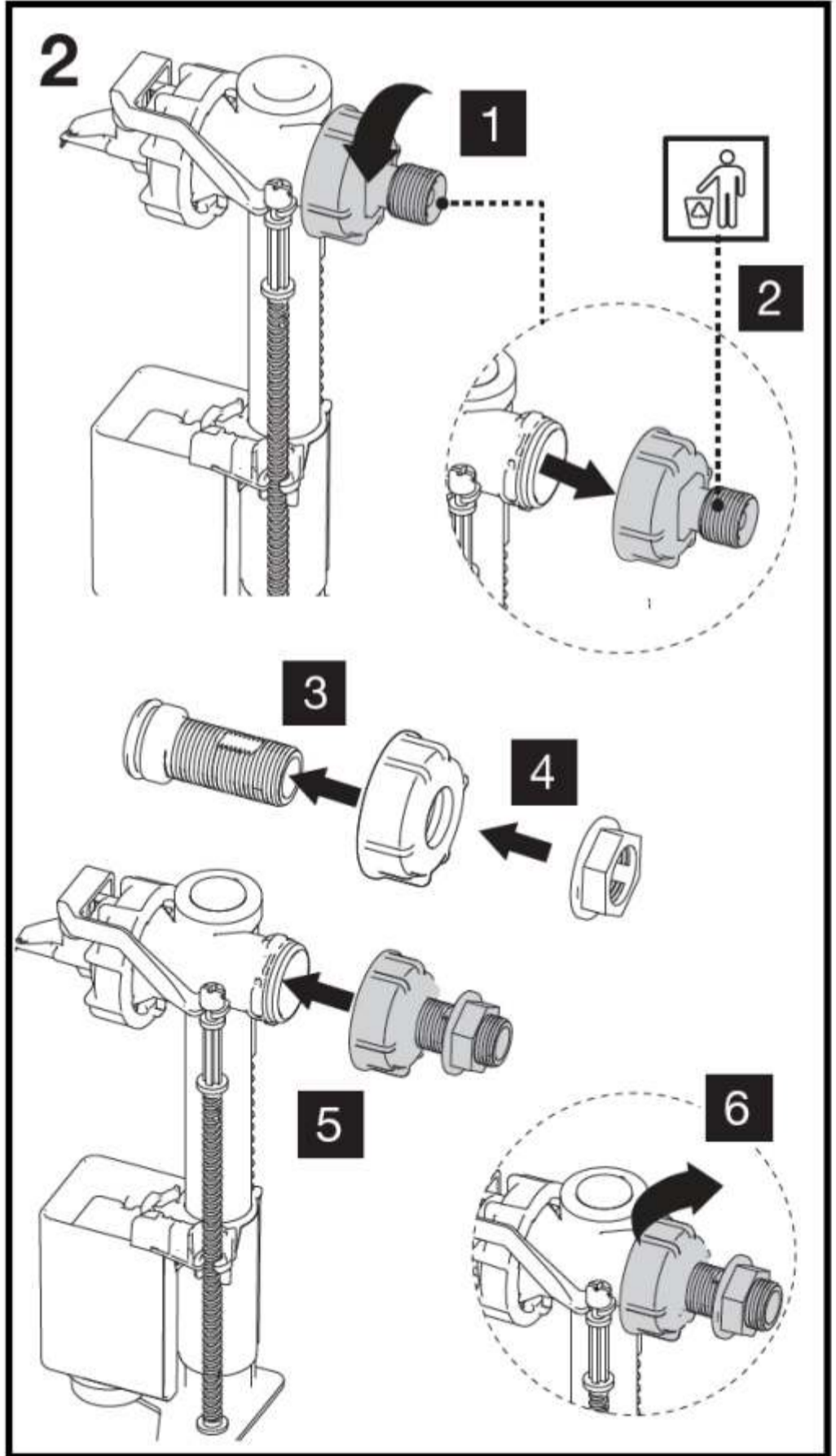
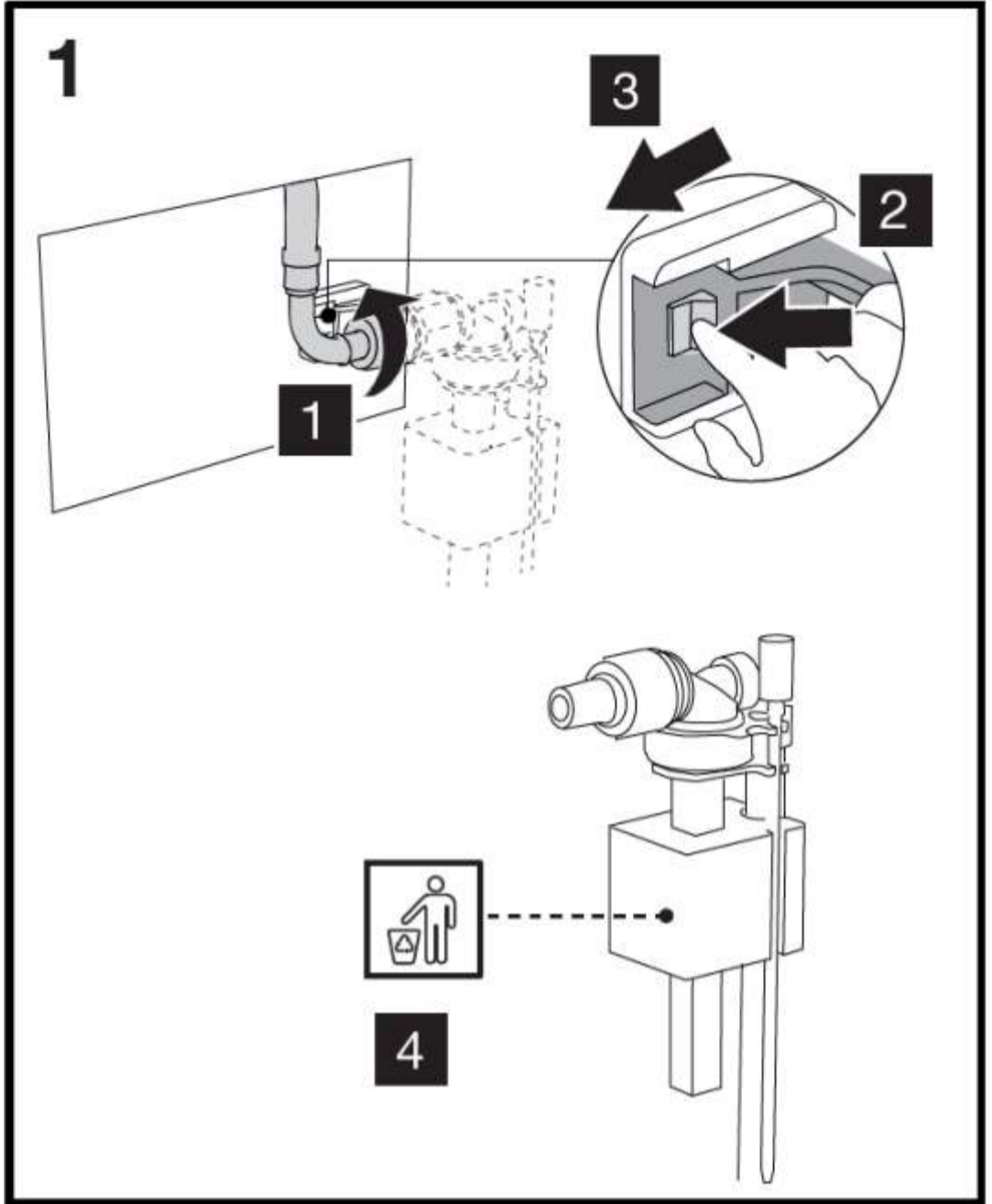
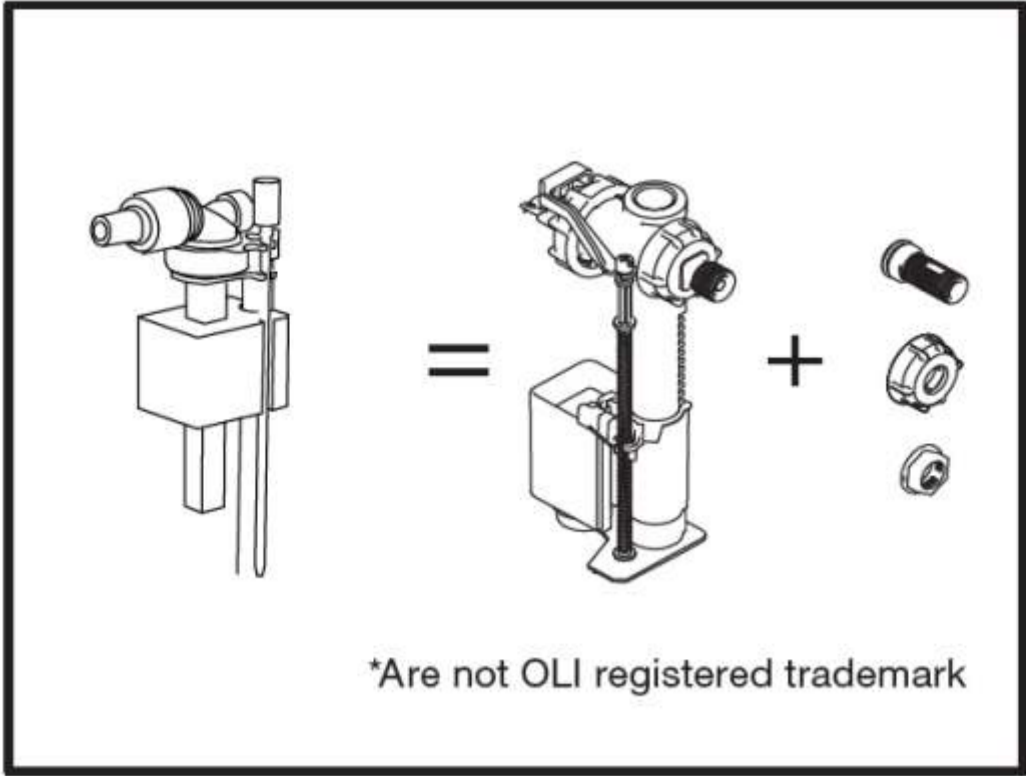
*Are not OLI registered trademark

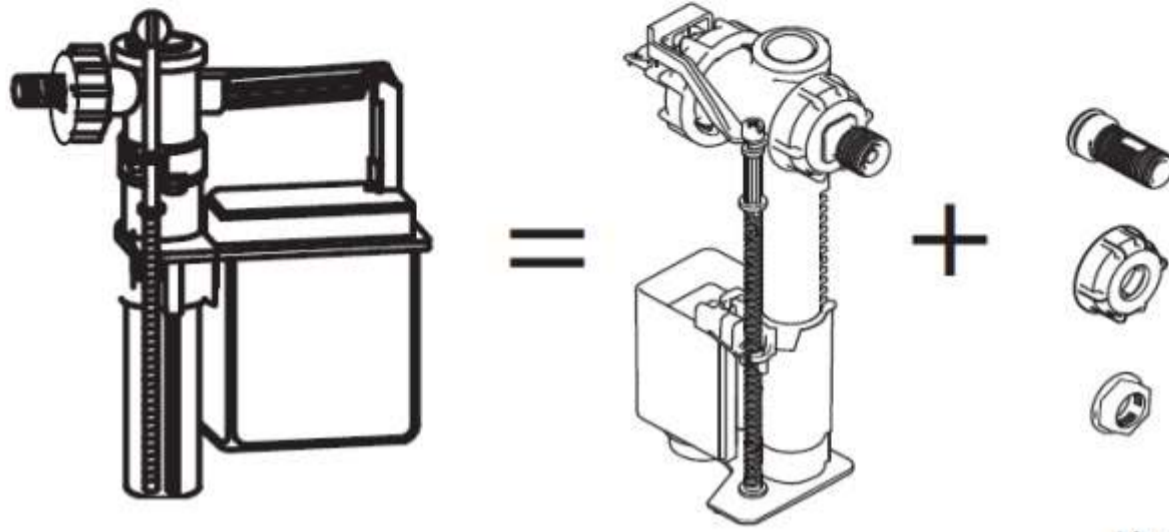




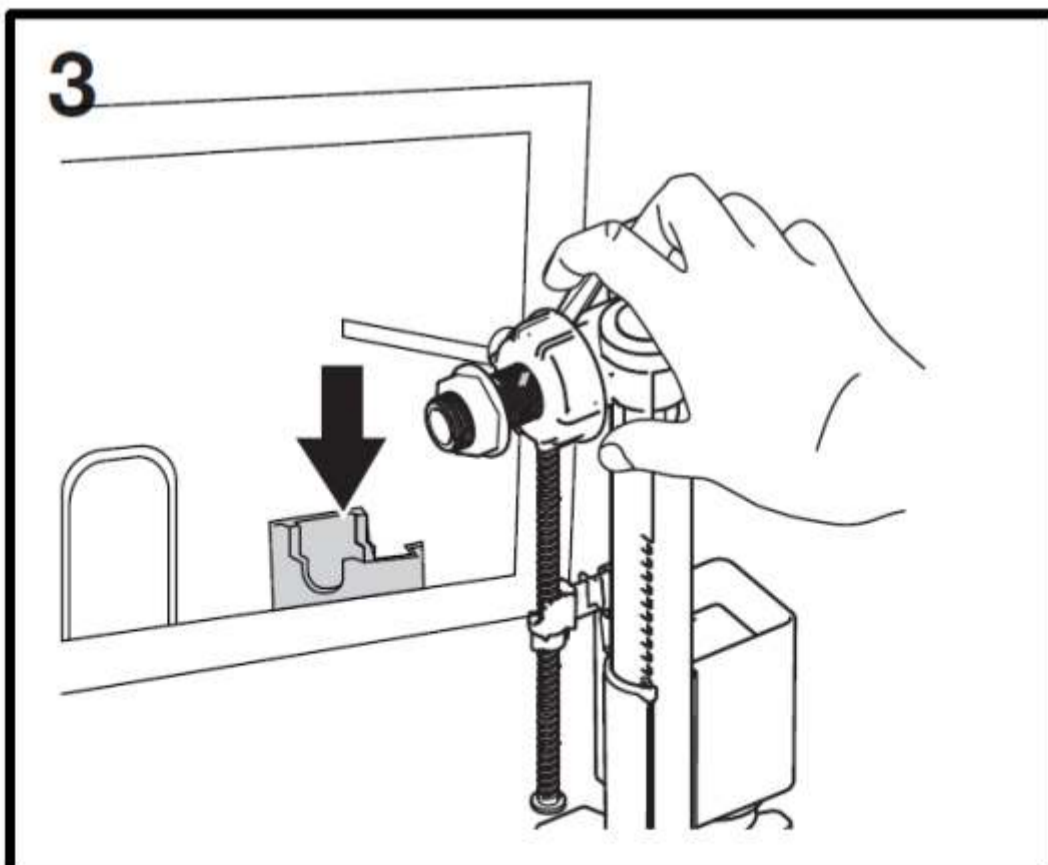
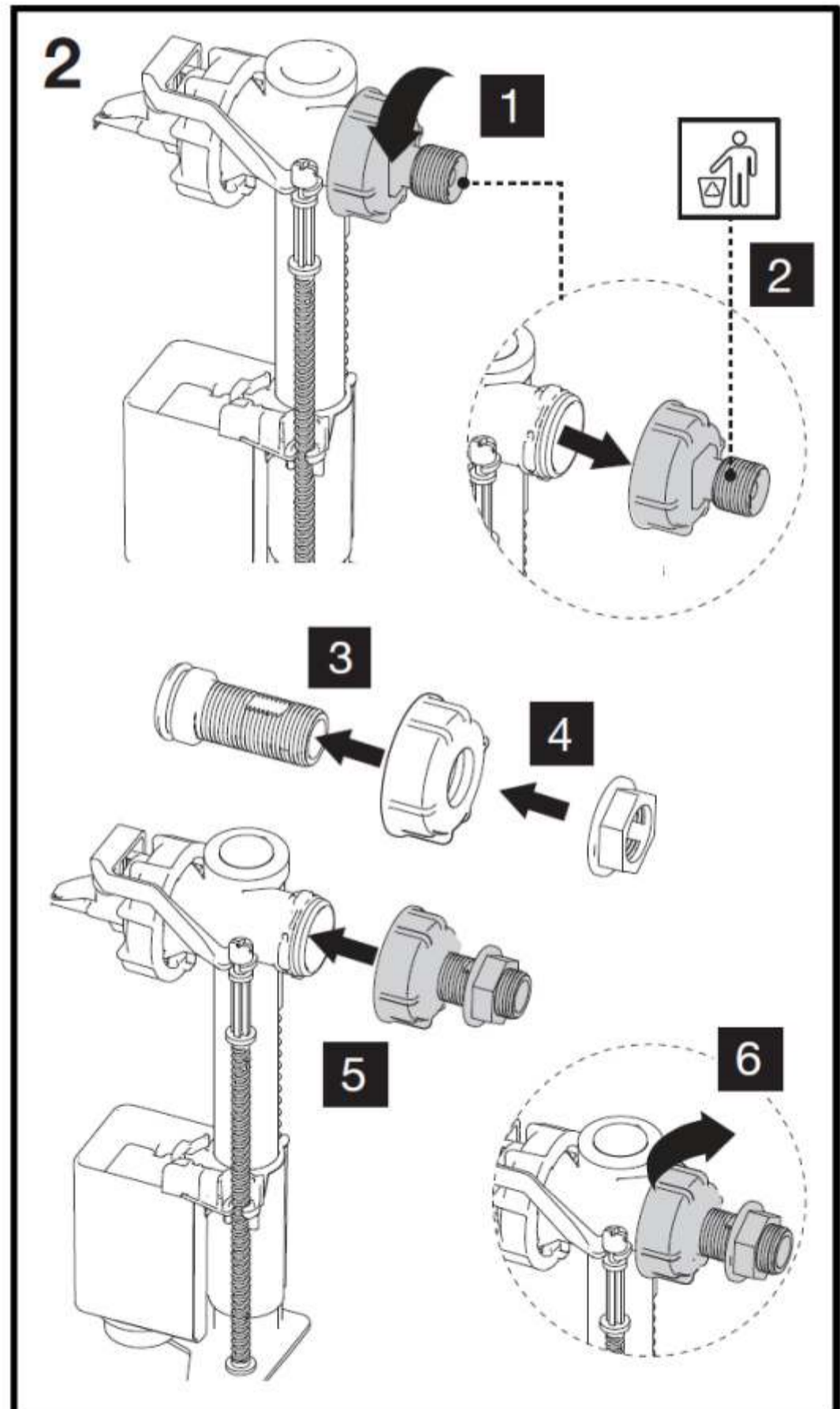
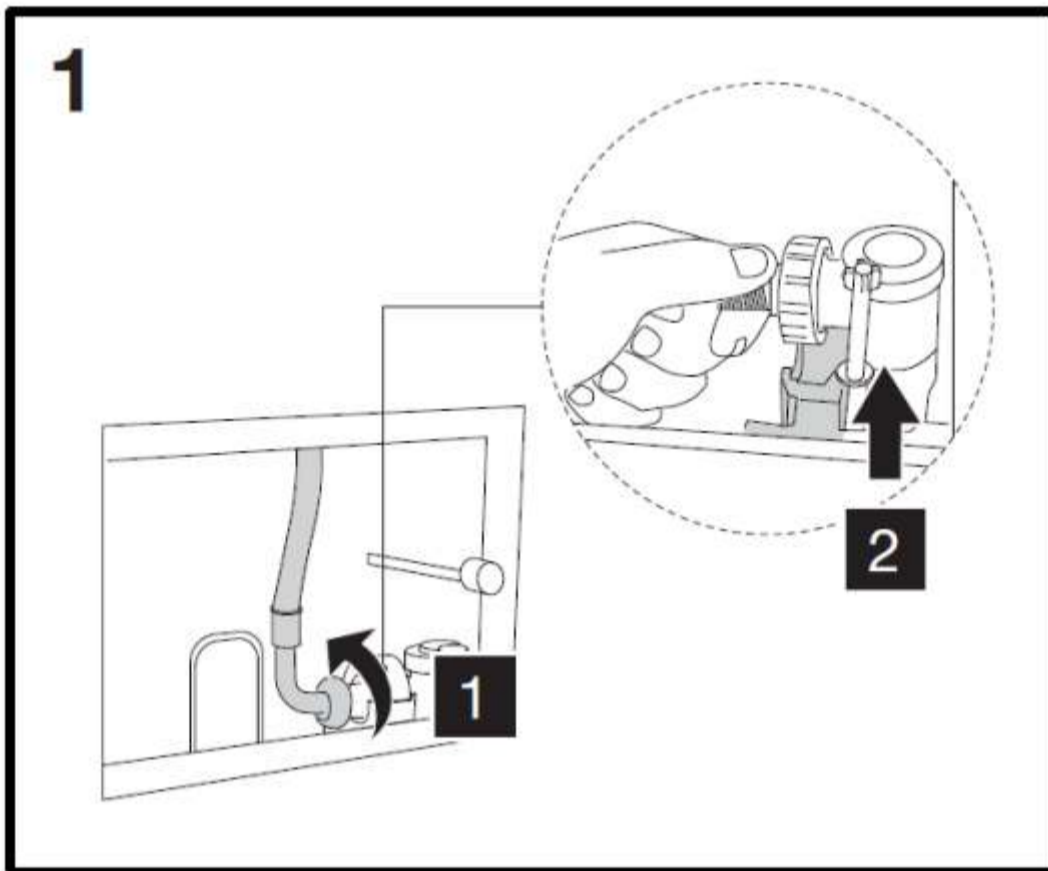
*Are not OLI registered trademark



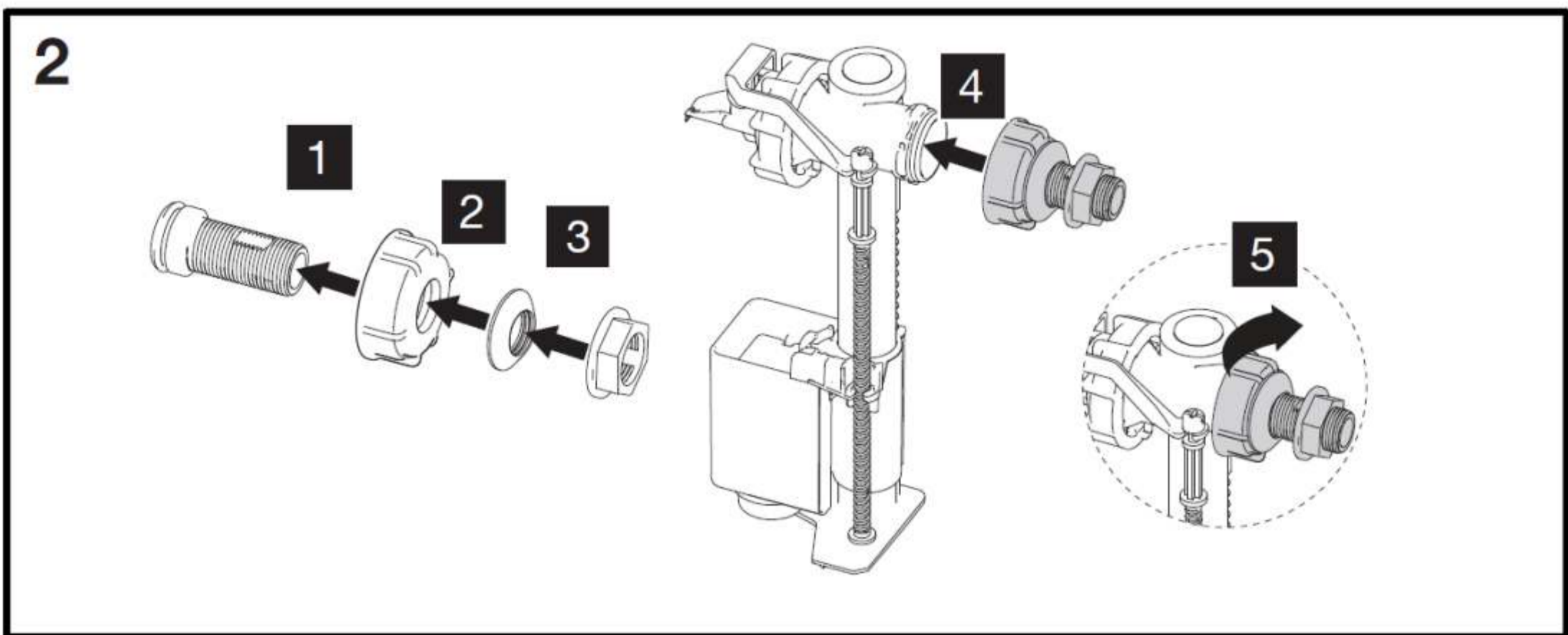
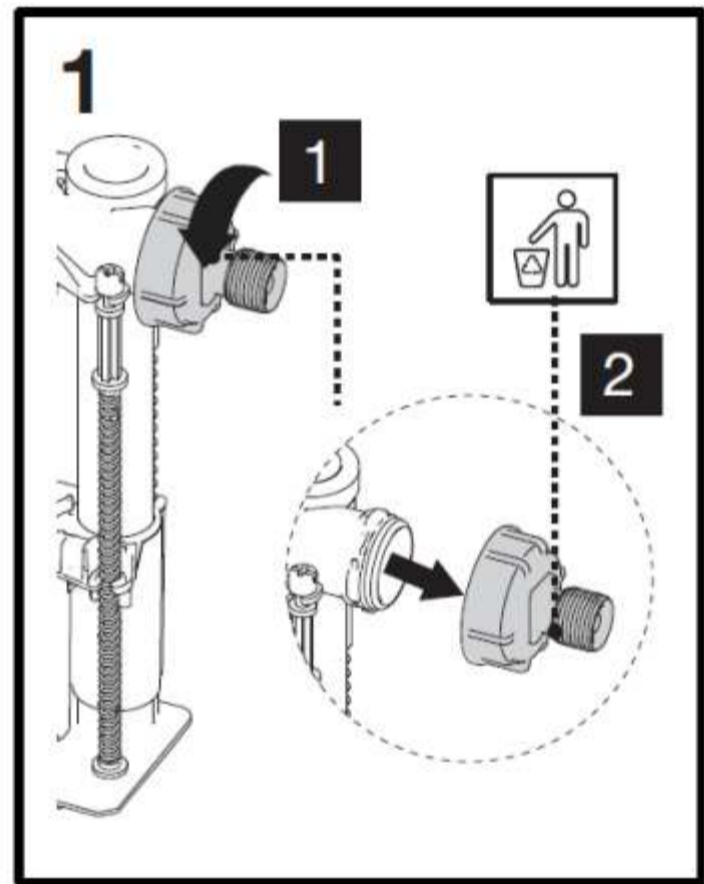
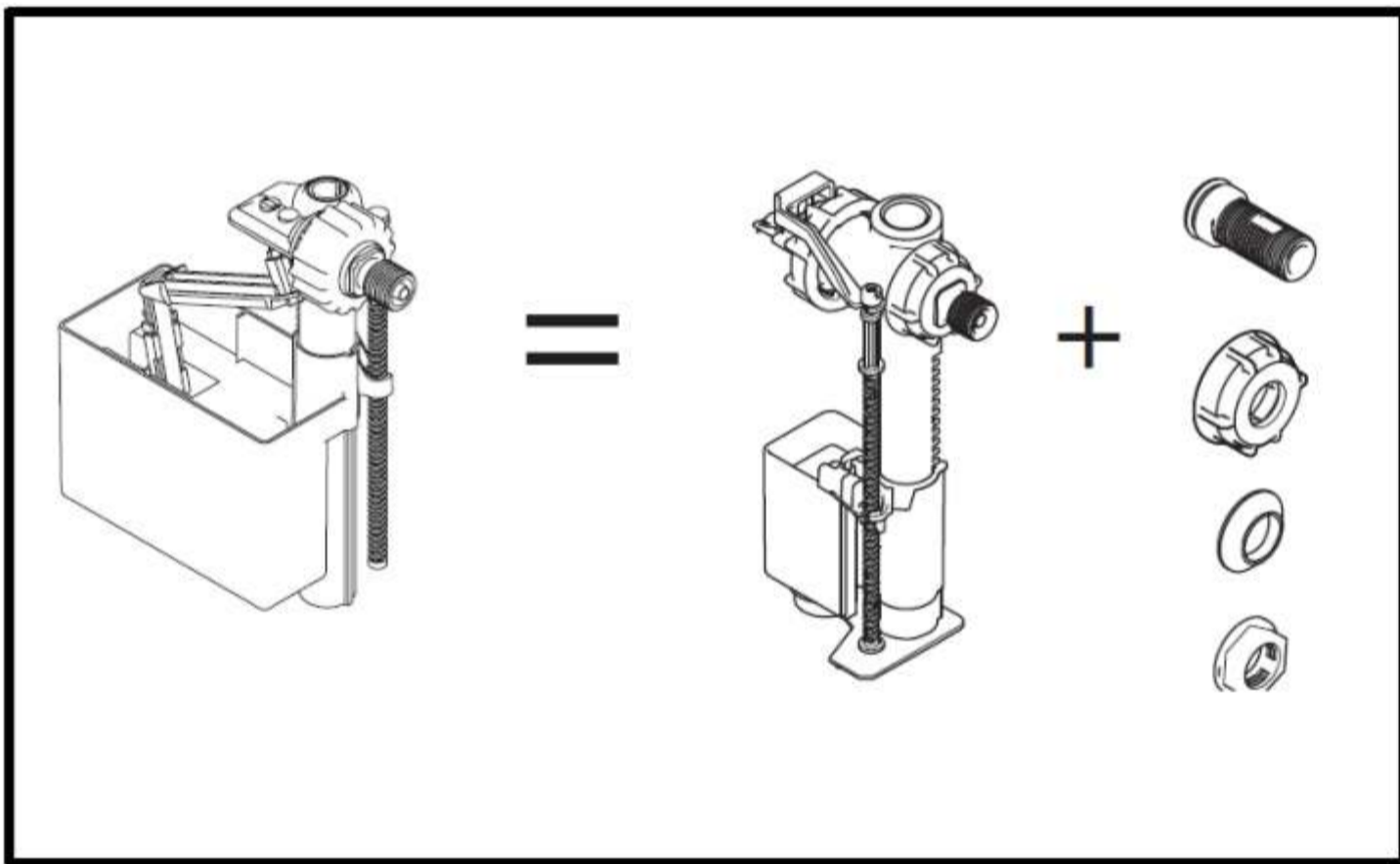
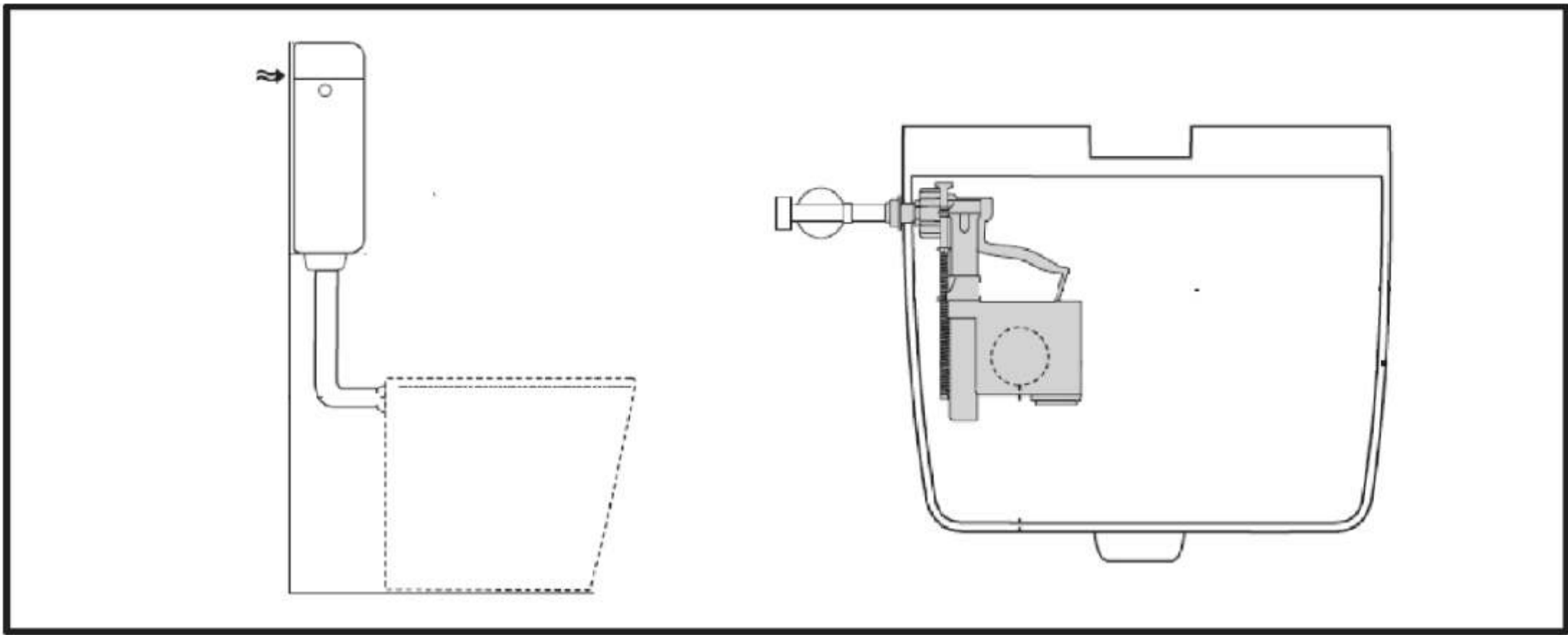




*Are not OLI registered trademark



i CASSETTA ESTERNA | EXPOSED CISTERN



i CASSETTA IN CERAMICA | CERAMIC TANK

